

MISTRAL



See inside for details

EMBER GLASS



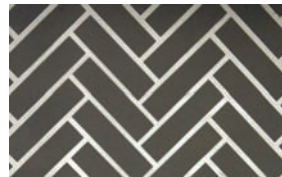
GREEN BLUE BLACK



IMITATION LOG

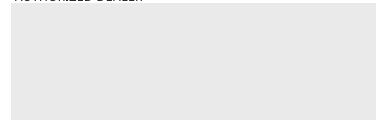


SAFETY SCREEN



REVERSIBLE DECORATIVE PANEL

AUTHORIZED DEALER



MISTRAL

Features, options and dimensions are subject to change in order to meet the highest quality standards. Always refer to the installation manual for detailed instructions. Installation must comply with local and national codes.



Manufactured in Quebec by :
 J. A. ROBY INC , 490 rue de l'Argon
 Quebec, Qc. CANADA, G2N 2C9
 Tél : 418-849-8095 www.jaroby.com

**SPECIFICATIONS:
MISTRAL, SIROCCO, AUSTER, SUROIT,
PAMPERO, LOO, MOUSSON**

INPUT (BTU)		TURN DOWN TO (BTU)	
NG	LP	NG	LP
21,000	21,000	10,500	13,440
23,000	27,000	11,500	17,280
25,000	32,000	12,500	20,480

MINIMUM CLEARANCE WITH COMBUSTIBLE MATERIALS	
Glass doors to opposite walls – All models	42 in. (107cm)
Vent to walls – All models	3 in.(8 cm) for the first 8 ft. of vent (except if protected by a firewall) and 1 in.(25.4 mm) for the rest of the vent.
Top of the fireplace to ceiling - All models	21 ¼ in. (54cm)
Back of fireplace to adjacent material - Models: LOO, MISTRAL, SIROCCO, AUSTER and MOUSSON.	0 in. (0 cm.)

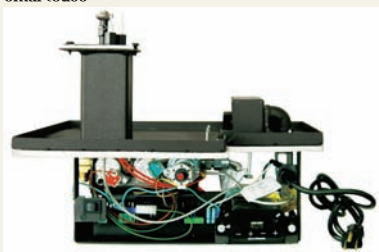
PROFLAMME 2 REMOTE CONTROL

The J. A. ROBY gas fireplaces are designed to give you comfort and control with a simple touch of the PROFLAMME 2 remote control included with the appliance. The remote can:

- ❖ Turn the burner on/off
- ❖ Adjust flame level (6 settings)
- ❖ Control the programmable thermostat
- ❖ Control the Smart thermostat that adjusts flame height depending on the difference between the predetermined temperature setting and the ambient temperature. When the ambient temperature approaches the set temperature, the Smart function lowers the flame.
- ❖ Control the intermittent pilot mode (IPI) and continuous pilot mode (CPI)
- ❖ Give low battery notification
- ❖ Be locked for child safety



SmartCase™



ADVANCED TECHNOLOGY

To make it easier to maintain its appliances, J. A. ROBY created the "SmartCase™", a cartridge that contains everything required for turning the fireplace on and controlling it. A fast and easy method for a smooth running fireplace!

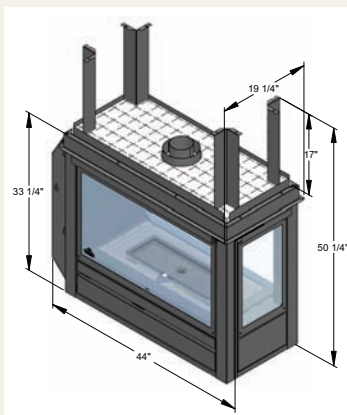
To prevent burn risks, all gas fireplace models are equipped with thin protective grilles that let you see the flame clearly.

RELIABILITY AND DURABILITY

J. A. ROBY gas fireplaces are made of high-end materials and each unit is factory tested. 1/8 in. thick 2 ½ x 2 ½ in. square pipes make for a durable frame that can accept any type of trim and support a weight of 10,000 lb or more.

FIERY PENINSULA

Let yourself be enchanted by the MISTRAL gas fireplace and its unique look. Open on all three sides, the MISTRAL fireplace is ideal for common living spaces and it goes well with any decor. It comes with a remote control and can be adapted to be used with propane or natural gas.



Model	MISTRAL (peninsula)			Glass type
	NG	LPG	Min. BTU	
BTU's (Input)	25,000	27,000 32,000	12,500 17,280 20,480	Tempered Tempered Ceramic
Venting	Top	Rigid venting	Flex venting	
		4" X 6 3/4"	4" X 7"	
Dimensions	Real	Framing		
• Height	33 3/4"	50 3/4"		
• Width	39"	43"		
• Depth	17 1/2"	17 1/2"		
Glass size	Real	Framing		
• Large	30 1/2"	33 1/2"		
• Small	9 3/4"	11 3/4"		
Glass area (in ²)	1220			
Steady state	79%			
Blower/fan kit	Option			
Electronic ignition	Yes			

Certified under national Canadian and American standards ANSI Z21.50-2012 • CSA 2.22-2012 for direct vented gas fireplace

ADVANTAGES AND FEATURES

- Up to 32,000 BTU
- Full-vision fireplace
- Clear glass embers included
- Very realistic logs (optional)
- Electronic ignition with battery-powered troubleshooter and adjustable heat and flame height control
- Reversible inside panel with brick pattern on one side and black metallic finish on the other side
- Top exhaust vent
- Protective grille included
- Original burner design for an unparalleled flame
- PROFLAMME 2 remote control included
- Available for propane or natural gas
- "SmartCase™" cartridge exclusive to J. A. ROBY
- Certified for all the rooms in the house
- Can work with or without electricity
- Backed by the J. A. ROBY limited lifetime warranty

MISTRAL



Obadiiah's

1-800-968-8604

WOODSTOVES

Serving you online since 1999