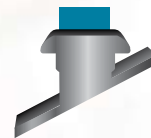


BIS™ HIGH-EFFICIENCY EPA-CERTIFIED
WOOD-BURNING FIREPLACES



**SECURITY CHIMNEYS
INTERNATIONAL™**

QUALITY. STYLE. EFFICIENCY.



INSPIRATION MEETS FUNCTION

■ As beautiful as they are practical, the entire line of high-efficiency wood-burning fireplaces from Security Chimneys builds on years of experience in design and functionality. From an elegant, traditional favorite to a sleek, contemporary attraction, a Security Chimneys fireplace creates an instant focal point—a centerpiece admired and treasured for its beauty as well as its performance. And, every high-efficiency wood-burning fireplace from Security Chimneys is EPA*-certified, which means that you can count on dependable warmth with the added bonus of responsible burning. Embrace the intimate atmosphere of a Security Chimneys fireplace. ■



BIS Tradition™ shown



COMFORT

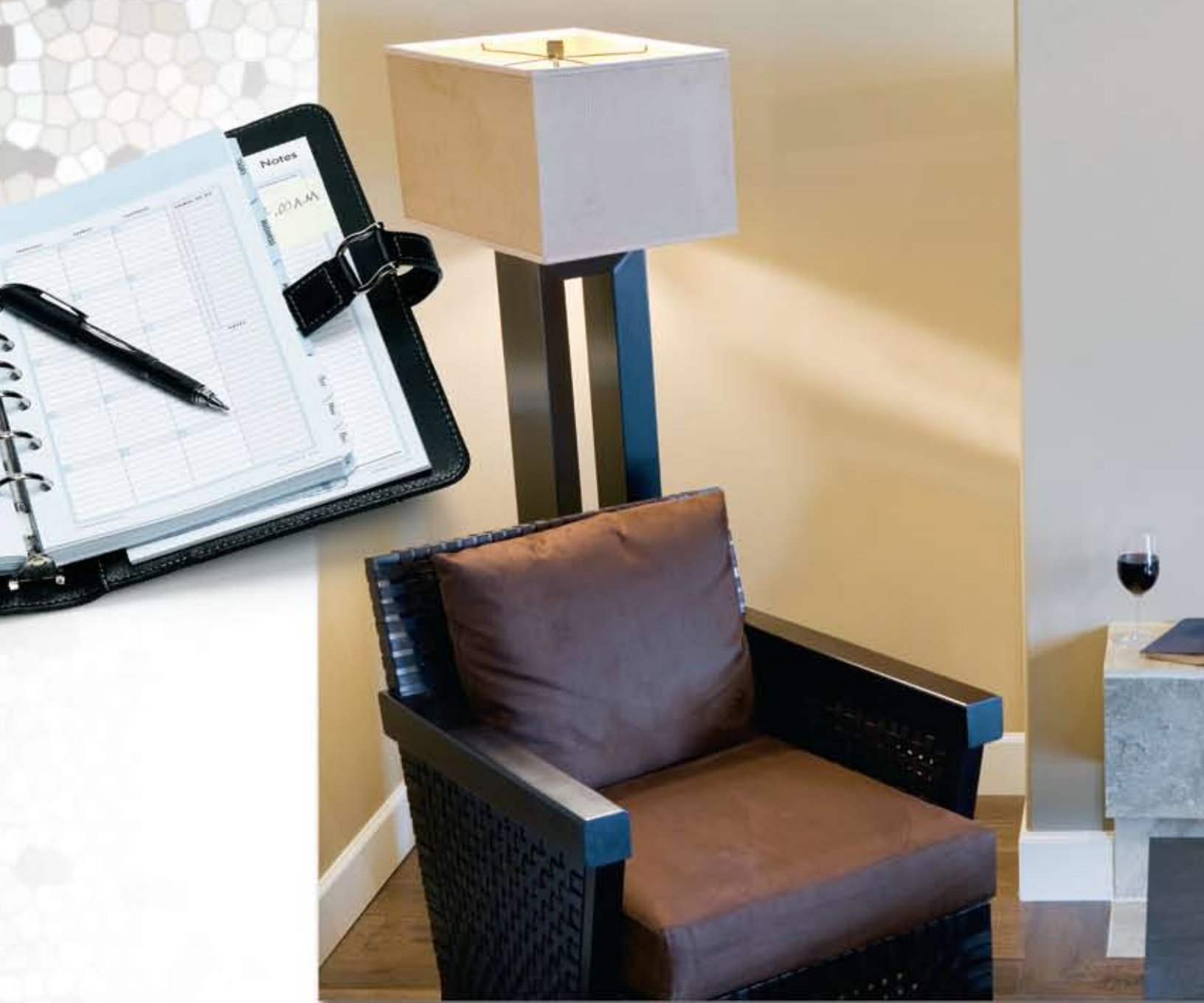
Available in a wide array of heating capacities, Security Chimneys fireplaces produce just the right amount of warmth and ambiance to bring comfort to any setting. From basements to bedrooms or any living area, a Security Chimneys fireplace creates a setting and sets a mood that goes unrivaled.

BEAUTY

A real wood fire is incomparable. Flickering flames, smoldering embers and crackling logs create an ambiance that can't be achieved with other fuels. Available in a selection of styles with customizable features, a Security Chimneys fireplace can be tailored to fit any décor.

EFFICIENCY

Employing advanced technologies with a lifetime of experience, fireplaces from Security Chimneys offer the ultimate in wood-burning efficiency. From state-of-the-art airtight combustion chambers to Time-Delayed Air Boost systems to forced-air heating systems, Security Chimneys wood-burning fireplaces represent a giant leap forward in technology.



A MIGHTY WONDER — BIS NOVA™

■ With its clean-face design and extensive viewing area, the BIS Nova™ fireplace is a modern marvel. A compact yet open firebox accepts logs up to 18 inches long for large flames, long burn times and additional warmth. Stunning, elegant refractories create a beautiful, fashionable, yet traditional appearance certain to produce a conversation piece in any setting.

The BIS Nova, with all its charm and capability, truly is a contemporary wonder. ■



BIS Nova™ shown



COMFORT

Firebox accepts up to 18" logs for greater heat output and longer burn times

All-in-one Double Air Combustion control includes air boost for faster wood ignition and main air control for variable heat output

Ceramic glass for added safety and optimum heat transfer

BEAUTY

Clean-face, louverless installation allows you to focus on the beauty of the fire

Expansive rectangular 13-1/4" x 20" glass area allows unobstructed views of the fire

Textured refractory-lined firebox recreates a gorgeous masonry look

Black or brushed nickel doors

EFFICIENCY

Pre-wired factory-installed 130-CFM blower with easy access for simple field installation

Efficient air wash system keeps glass clean

Airtight combustion chamber for maximum wood-burning efficiency

EPA-certified

Zero-clearance to combustible materials

Knock-out sides and back for straight-forward connection to forced air system

Convenient compact size allows multiple installation options

Certified with SecureTemp™ ASHT+ insulated stainless steel chimney or air-cooled pipe 6" I.D.

OPTIONS

Gravity air distribution kit

Forced-air kit

Cast-surround kit (shown at left)

Masonry installation with TUBINOX rigid stainless steel liner

6" to 7" SecureTemp ASHT increaser

Outside air kit connection for optimum efficiency



AN EXPRESSION OF BEAUTY — BIS ULTIMA™

■ With its elegant styling and unobstructed views of the fire, the BIS Ultima™ is a true symbol of splendor. From striking louvers to attractive cast-iron log retainers, the addition of a BIS Ultima fireplace creates an instant focal point in any room. But the BIS Ultima is more than just beautiful. An airtight combustion chamber helps create maximum wood-burning efficiency, and an all-in-one control system helps manage wood consumption and allows for faster ignition. The BIS Ultima brings a whole new world of warmth and beauty to any home. ■



BIS Ultima™ shown



COMFORT

All-in-one Double Air Combustion control includes air boost for faster wood ignition and main air control for variable heat output

Heat-resistant handle is always cool to the touch

Ceramic glass for added safety and optimum heat transfer

Firebox fully insulated on top and sides to maximize heat transfer

BEAUTY

European cast-iron single door for unobstructed views of the fire

Ornate louvers create an eye-catching design

Decorative cast-iron log retainers are beautiful in and out of use

Textured refractory-lined firebox fashions a traditional masonry look

Available in two door styles—Victorian or Contemporary—in 24K gold-plated, brushed nickel or black

EFFICIENCY

Outside air kit connection for optimum efficiency

Efficient air wash system keeps glass clean

Airtight combustion chamber for maximum wood-burning efficiency

Knock-out sides and back for straightforward connection to forced-air system

EPA-certified and Washington State-certified

Zero clearance to combustible materials

Certified with SecureTemp™ ASHT+ insulated stainless steel chimney or air-cooled pipe 6" I.D.

OPTIONS

200-CFM blower

Rigid firescreen

Gravity air distribution kit

Masonry installation with TUBINOX rigid stainless steel liner

Forced-air kit



A MASTER OF COMFORT — BIS ULTRA™

■ The BIS Ultra™ not only offers an elegance that distinguishes it from others, but also represents a higher standard of energy efficiency. Delivering up to 60,000 BTUs per hour and a burn time of up to eight hours, the BIS Ultra can warm an area of up to 2,000 sq. ft. The perfect inspirational balance of form and function, the BIS Ultra introduces a new dimension of beauty and warmth to the home. ■



BIS Ultra™ shown



COMFORT

Non-catalytic combustion for maintenance-free operation

Ceramic glass for added safety and optimum heat transfer

BEAUTY

Sturdy, rustic cast-iron doors create an eye-catching charm

Available in two door styles—Victorian or Contemporary—in 24K gold-plated or black

Ornate louvers produce a striking design

Decorative cast-iron log retainers are beautiful in and out of use

Textured refractory-lined firebox fashions a traditional masonry look

Removable top louver and frame allow for a clean-face appearance

EFFICIENCY

Outside air kit connection (4" I.D. insulated flex pipe x 10' long) for optimum efficiency

Dual-handle ash drawer with lid allows for easy removal of ashes without the mess

Efficient air wash system keeps glass clean

Airtight combustion chamber for maximum wood-burning efficiency

Knock-out sides and back for straight-forward connection to forced-air system

EPA-certified

Zero clearance to combustible materials

Certified with SecureTemp™ ASHT+ insulated stainless steel chimney or air-cooled pipe 6" I.D.

OPTIONS

200 CFM blower

Rigid firescreen

Clean-face option

Gravity air distribution kit

Masonry installation with TUBINOX rigid stainless steel liner

Forced-air kit



A DYNAMIC PERFORMER — BIS PANORAMA™

■ With a distinctive, high-aspect ratio, single-door feature and stunning refractory, the BIS Panorama™ fireplace delivers more heat and performs better than any similar fireplace on the market. With an output of up to 70,000 BTUs per hour and a burn time of up to eight hours, the BIS Panorama can warm an area of up 2,500 sq. ft.—all while allowing unobstructed views of enchanted, dancing flames. ■



BIS Panorama™ shown



COMFORT

High-capacity output quickly warms rooms for rapid heating

Easy access to combustion controls for optimum comfort management

Ceramic glass for added safety and optimum heat transfer

BEAUTY

Vertically designed door, combined with a herringbone refractory brick, gives a stunning view of the fire

Single cast-iron door available in 24K gold-plated, brushed nickel or black

Textured refractory-lined firebox fashions a traditional masonry look

Attractive, cast-iron log retainers enhance the fire's mesmerizing dance

EFFICIENCY

Outside air kit connection for optimum efficiency

Airtight combustion chamber for maximum wood-burning efficiency

Efficient air wash system keeps glass clean

Dual-handle ash drawer with lid allows for easy removal of ashes without the mess

Highly efficient post-combustion with large catalytic combustor

Zero clearance to combustible materials

Knock-out sides and back for easy connection to forced-air system

EPA-certified and Washington State-certified

Certified with SecureTemp™ ASHT+ insulated stainless steel chimney or air-cooled pipe 7" I.D.

OPTIONS

200-CFM blower

Rigid firescreen

Clean-face option

Gravity air distribution kit

Masonry installation with TUBINOX rigid stainless steel liner

Forced-air kit



AN OUTSTANDING ENCORE — BIS TRADITION™ CE

■ Fashioned after the BIS Tradition™ fireplace, the BIS Tradition™ CE fireplace maintains all the key performance features of its predecessor, but its compact size makes it ideal for smaller spaces. The BIS Tradition CE features ceramic glass for added safety and optimum heat transfer and an airtight combustion chamber for maximum efficiency. What's more, its single-door design allows for ultimate views of the fire. An array of optional façades and doors means the BIS Tradition CE can be customized to suit the décor of any home. ■



BIS Tradition™ CE shown



COMFORT

Non-catalytic combustion for maintenance-free operation

Ceramic glass for added safety and optimum heat transfer

Firebox capacity of 2.0 cu. ft. withstanding up to 55,000 BTU/hr. and eight hours of burn time to heat areas between 1,000 and 1,500 sq. ft.

BEAUTY

Single door allows an unobstructed view of the fire

Decorative cast-iron log retainers are beautiful in and out of use

Beautiful refractory simulates an authentic masonry hearth

Available in black, brushed nickel and 24K gold-plated façades and steel or cast-iron hammered steel doors

EFFICIENCY

Outside air kit connection (4" I.D. x 10' long insulated flex and resister) for optimum efficiency

Efficient air wash system keeps glass clean

Convenient 36"W x 36"H x 25"D size allows for multiple installation options

Pre-wired heat-activated 200-CFM blower circulates warmth around the room

Knock-out sides and back for straightforward connection to forced-air system

Airtight combustion chamber for maximum wood-burning efficiency

All-in-one Double Air Combustion control includes air boost for faster wood ignition and main air control for variable heat output

EPA-certified and Washington State-certified

Zero-clearance to combustible materials

Certified with SecureTemp™ ASHT+ insulated stainless steel chimneys or air-cooled pipe 6" I.D.

OPTIONS

Rigid firescreen

Gravity air distribution kit

Masonry installation with TUBINOX rigid stainless steel liner

Forced-air kit



AN ADVANCED ENTERTAINER — BIS TRADITION™

■ Impressive in size and performance, the BIS Tradition™ fireplace is one of the biggest, most beautiful EPA-certified zero-clearance, wood-burning fireplaces available on the market. The advanced engineering of the BIS Tradition, combined with its expansive, unobstructed view and up to eight hours of burn time, means spending more time enjoying the fire than taking care of it. In addition, its heat-activated blower is hidden in a graceful design, providing energy-efficient heat distribution without sacrificing the natural aesthetics of a traditional masonry hearth. ■



BIS Tradition™ shown



COMFORT

One of the largest non-catalytic combustion-controlled fireplaces available for outstanding heating performance

Large, open firebox allows up to 30" log capacity and can withstand up to 80,000-BTU cordwood heat output

Multiple heat distribution capacity creates customizable warmth levels for perfect comfort

Ceramic glass for added safety and optimum heat transfer

BEAUTY

Textured refractory-lined firebox recreates a masonry look

Arch design façade and door give the fireplace a traditional appeal for formal applications

Decorative cast-iron log retainers look great whether the hearth is in use or idle

Available with four optional façades and doors in black, brushed nickel, 24K gold-plated or hammered steel

EFFICIENCY

Outside air kit connection (4" I.D. insulated flex pipe x 10' long) for optimum efficiency

Up to 63% efficiency through natural convection

Time-Delayed Air Boost system allows for carefree ignition

Airtight combustion chamber for maximum wood-burning efficiency

Knock-out sides and back for straight-forward connection to forced air system

Efficient air wash system keeps glass clean

Zero clearance to combustible materials

Heats up to 2,500 square feet with burn times of up to eight hours

Pre-wired heat-activated 200-CFM blower circulates warmth around the room

EPA-certified

Certified with SecureTemp™ S-2100+ or GX+ insulated stainless steel chimneys or air-cooled pipe 7" I.D.

OPTIONS

Rigid firescreen

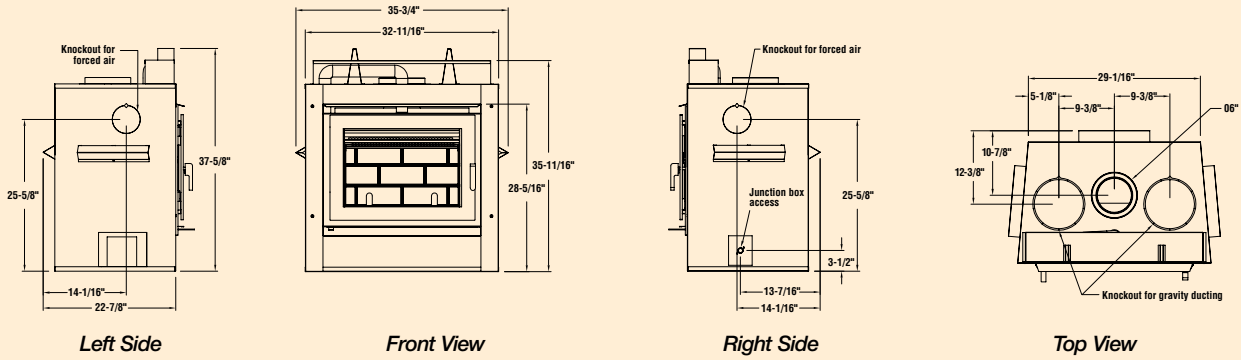
Gravity air distribution kit

Masonry installation with TUBINOX rigid stainless steel liner

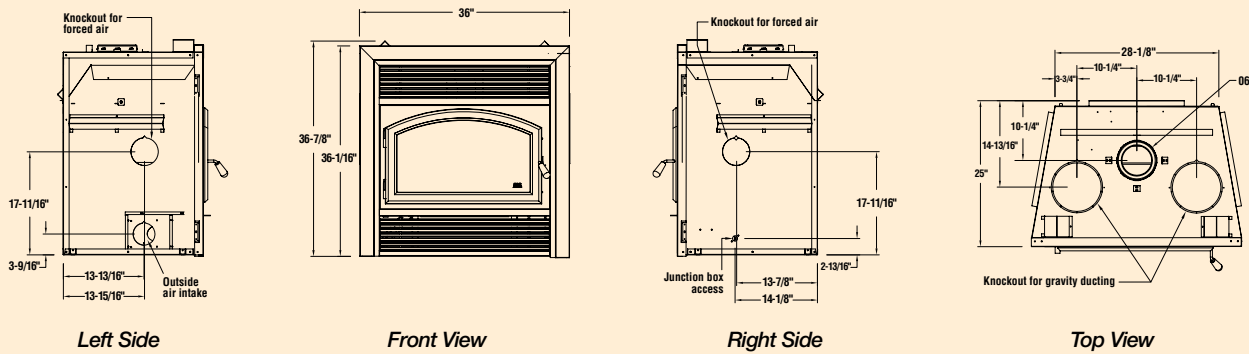
Forced-air kit

DIMENSIONS

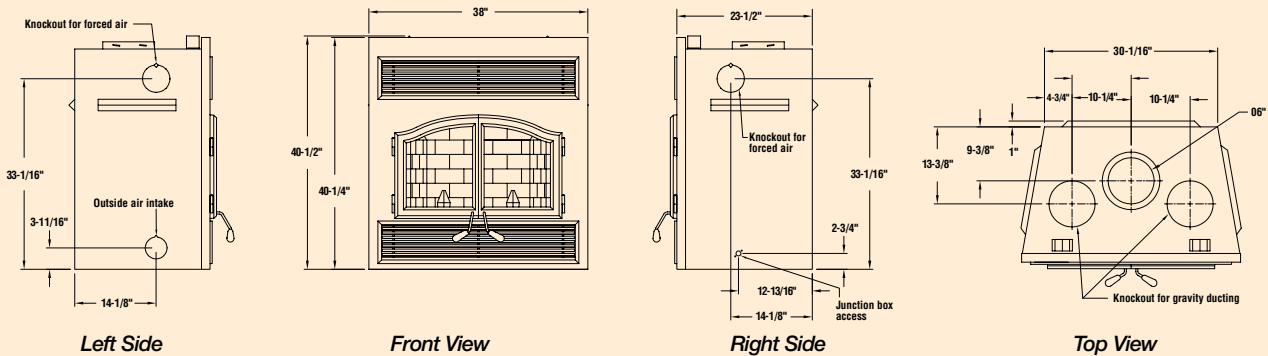
BIS NOVA™



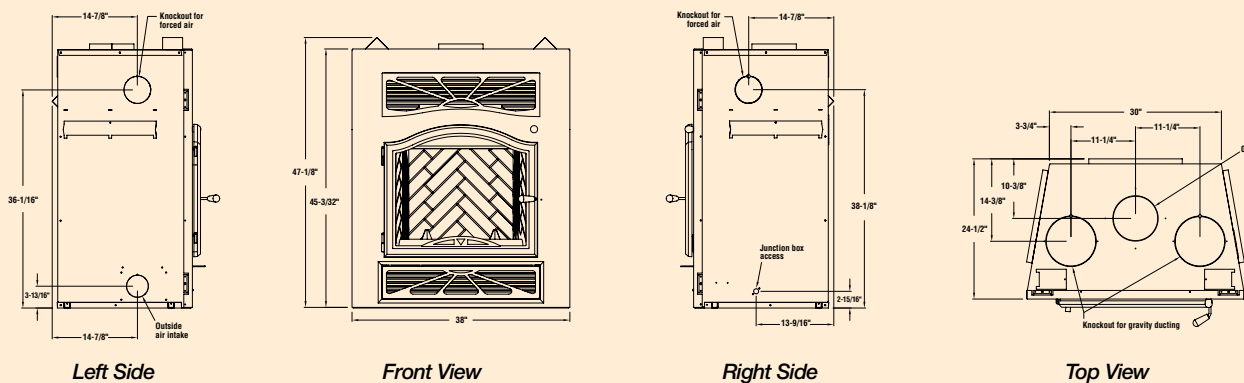
BIS ULTIMA™



BIS ULTRA™

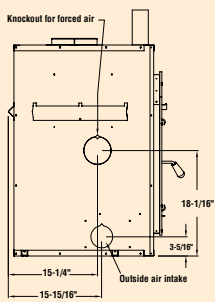


BIS PANORAMA™

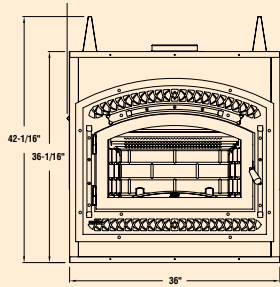


DIMENSIONS

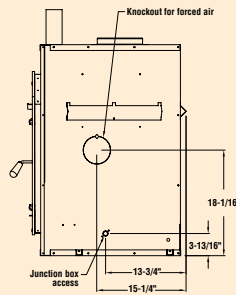
BIS TRADITION™ CE



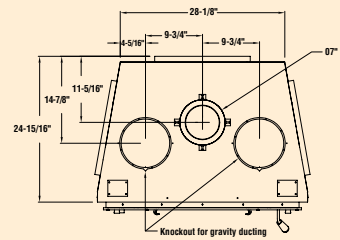
Left Side



Front View

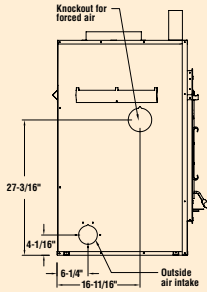


Right Side

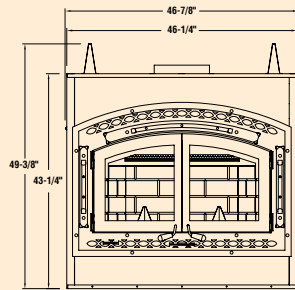


Top View

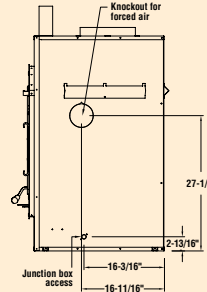
BIS TRADITION™



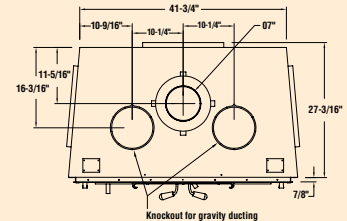
Left Side



Front View

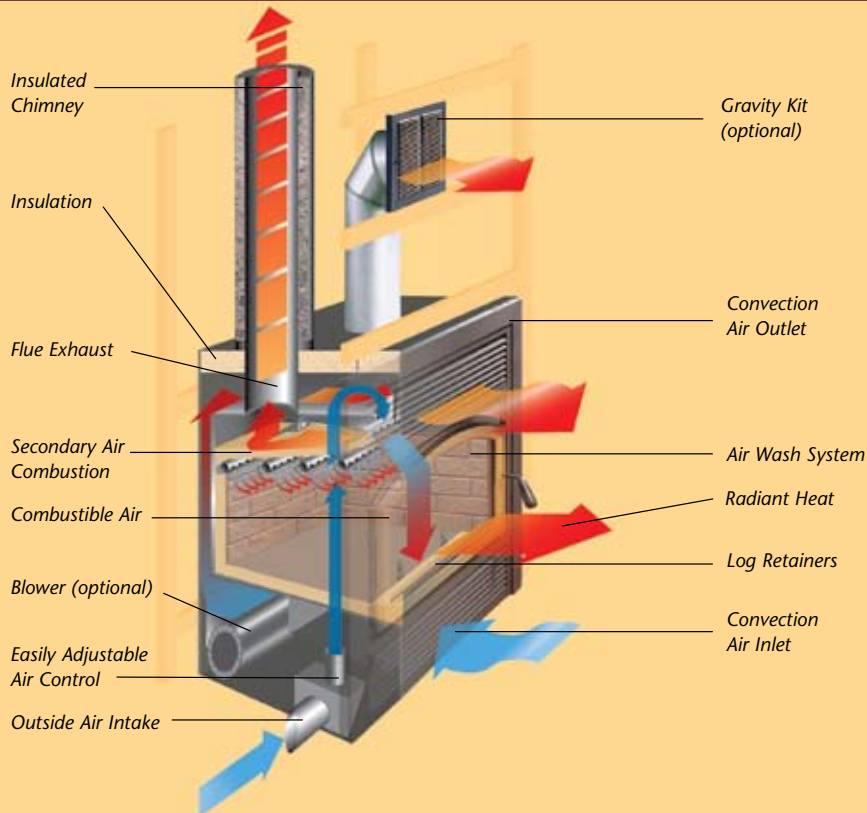


Right Side



Top View

ENGINEERED TO BE THE BEST — COMMON FEATURES OF THE BIS



EXPERIENCE THE WARMTH

Security Chimneys International has kept the home fires burning for more than 40 years by committing to quality control, dependable products and exceptional relationships.

Safe, secure, and scientifically advanced, Security Chimneys products truly live up to our name. Discover why we've become the most trusted name in high-efficiency fireplaces and residential and industrial chimneys.

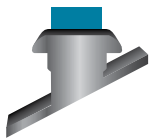
Choose the right fireplace to fit your personality.



Feature Comparison	BIS Nova™	BIS Ultima™	BIS Ultra™	BIS Panorama™	BIS Tradition™ CE	BIS Tradition™
Glass viewing area (W x H)	20" x 13.25"	22.5" x 12.25"	25" x 14"	22.5" x 19"	22.5" x 12.25"	31" x 15"
Firebox (W x H x D*)	19.5" x 13.25" x 12"	22" x 11.75" x 12"	25" x 13.5" x 13"	22" x 20" x 15"	22" x 11.75" x 12"	31" x 14.5" x 14"
Cu. ft.	2.0 cu. ft.	2.0 cu. ft.	2.5 cu. ft.	3.8 cu. ft.	2.0 cu. ft.	4.0 cu. ft.
Log size	18"	19"	19"	18"	19"	30"
Chimney type/Flue size	ASHT+ 6"	ASHT+ 6"	ASHT+ 6"	ASHT+ 7"	ASHT+ 6"	S-2100+/GX 7"
EPA rating	4.8 gr./hr	3.7 gr./hr	4.8 gr./hr	4.0 gr./hr	3.7 gr./hr	7.4 gr./hr
BTU**	50,000	55,000	60,000	70,000	55,000	80,000
Heating capacity, up to	1,500 sq. ft.	1,500 sq. ft.	2,000 sq.ft.	2,500 sq.ft.	1,500 sq. ft.	2,500 sq.ft.
Blower	130 CFM	Optional	Optional	Optional	200 CFM	200 CFM
Ash pan	N/A	N/A	Yes	Yes	N/A	N/A
Weight	215 lbs.	278 lbs.	402 lbs.	403 lbs.	303 lbs.	475 lbs.
Warranty	Limited lifetime	Limited lifetime	Limited lifetime	Limited lifetime	Limited lifetime	Limited lifetime

*Measured in front of door.

**Disclaimer.



**SECURITY CHIMNEYS
INTERNATIONAL™**

Security Chimneys International Limited
2125 Monterey, Laval, Québec
Canada, H7L 3T6

800.667.3387 Tel
450.973.2222 Fax
Securitychimneys.com

IMPORTANT NOTES:

As with any heating appliance, fireplace or stove, this appliance is extremely hot during operation. Read and understand all operating instructions before using this appliance. For further information, consult your dealer.

Actual performance may vary depending upon home design and insulation, ceiling heights, climate, condition and type of wood used, appliance location, burn rate, accessories chosen, chimney installation and how the appliance is operated.

Diagrams, illustrations and photographs are not to scale—consult installation instructions. Product designs, materials, dimensions, specifications, colors and prices are subject to change or discontinuance without notice.