

**INSTALLER: LEAVE THIS MANUAL WITH THE APPLIANCE.
 CONSUMER: RETAIN THIS MANUAL FOR FUTURE REFERENCE.
 NEVER LEAVE CHILDREN OR OTHER AT RISK INDIVIDUALS ALONE WITH THE APPLIANCE**



INSTALLATION AND OPERATING INSTRUCTIONS

CERTIFIED TO CANADIAN AND AMERICAN NATIONAL STANDARDS: CSA 2.22 AND ANSI Z21.50 FOR VENTED GAS FIREPLACES.

EN

FR
PG
43

FOR INDOOR USE ONLY

SAFETY INFORMATION

! WARNING

If the information in these instructions are not followed exactly, a fire or explosion may result causing property damage, personal injury or loss of life.

- Do not store or use gasoline or other flammable vapors and liquids in the vicinity of this or any other appliance.
- **WHAT TO DO IF YOU SMELL GAS:**
 - Do not try to light any appliance.
 - Do not touch any electrical switch; do not use any phone in your building.
 - Immediately call your gas supplier from a neighbour's phone. Follow the gas supplier's instructions.
 - If you cannot reach your gas supplier, call the fire department.
- Installation and service must be performed by a qualified installer, service agency or the supplier.

This appliance may be installed in an aftermarket, permanently located, manufactured home (USA only) or mobile home, where not prohibited by local codes.

This appliance is only for use with the type of gas indicated on the rating plate. This appliance is not convertible for use with other gases, unless a certified kit is used.

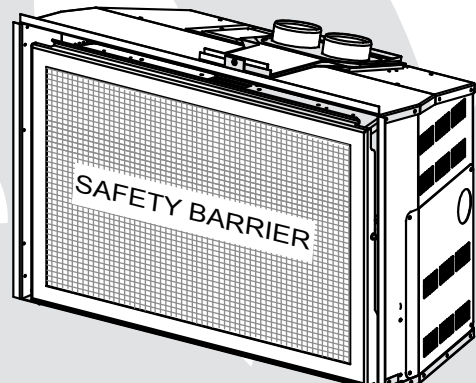
APPLY SERIAL NUMBER LABEL FROM CARTON



BARRIER



XIR4-1N
 NATURAL GAS
XIR4-1P
 PROPANE



! DANGER

HOT GLASS WILL CAUSE BURNS.

DO NOT TOUCH GLASS UNTIL COOLED.

NEVER ALLOW CHILDREN TO TOUCH GLASS.

A barrier designed to reduce the risk of burns from the hot viewing glass is provided with this appliance and shall be installed for the protection of children and other at-risk individuals.



TABLE OF CONTENTS

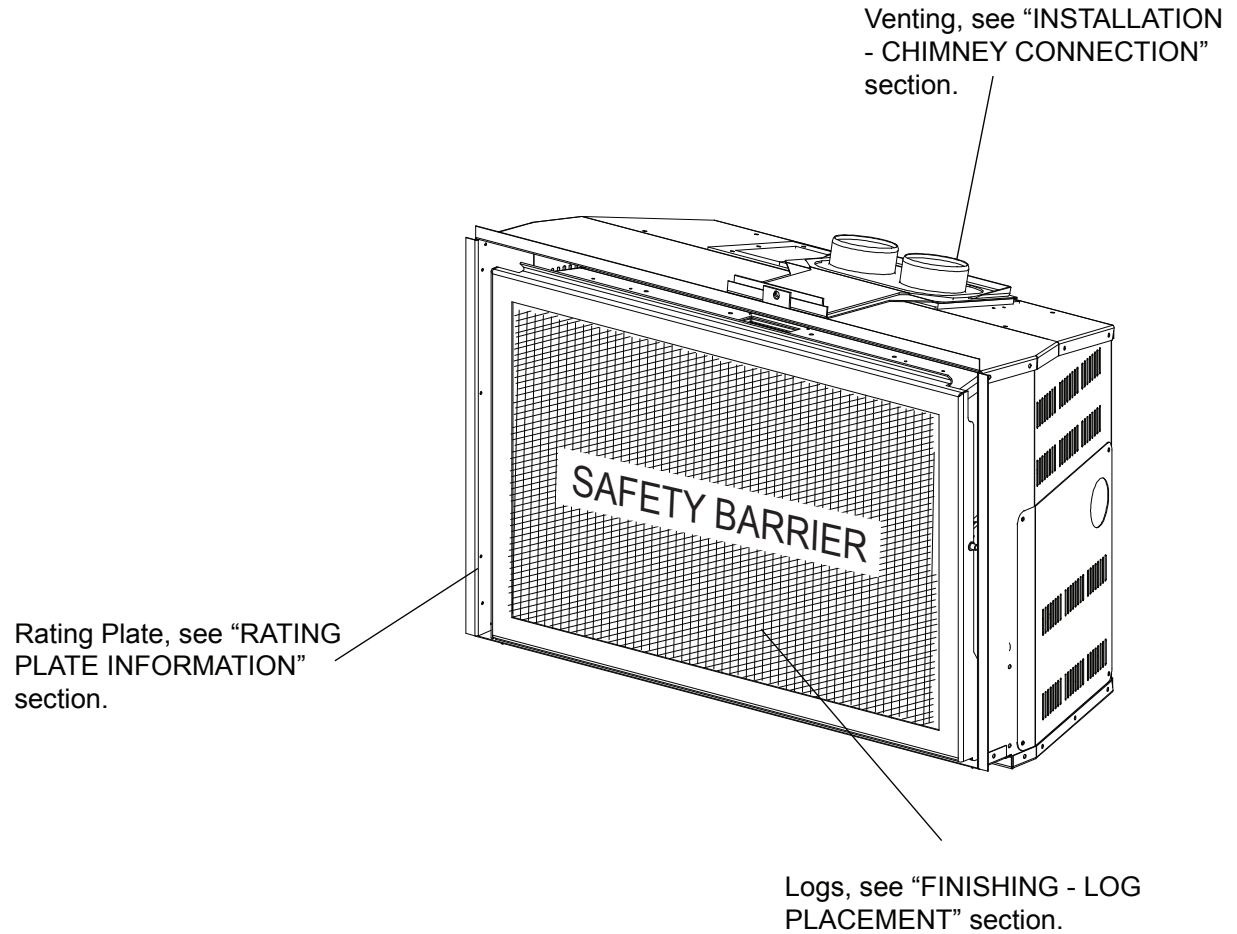


The camera icon indicates video tutorials are available as additional reference, visit <http://mynapoleon.napoleonproducts.com/download/index/44/1>

1.0	INSTALLATION OVERVIEW	3
2.0	INTRODUCTION	4
2.1	DIMENSIONS	5
2.2	MINIMUM CLEARANCE TO COMBUSTIBLES	5
2.3	GENERAL INSTRUCTIONS	5
2.4	GENERAL INFORMATION	6
2.5	RATING PLATE INFORMATION	7
3.0	INSTALLATION	8
3.1	LEVELLING THE APPLIANCE	8
3.2	CHIMNEY CONNECTION	9
3.3	GAS INSTALLATION	10
4.0	FINISHING	11
4.1	MINIMUM COMBUSTIBLE MANTEL CLEARANCES	11
4.2	SAFETY SCREEN & DOOR REMOVAL / INSTALLATION	12
4.3	NON-COMBUSTIBLE FACING MATERIAL	13
4.4	LOG PLACEMENT	14
4.5	BATTERY INSTALLATION	15
4.6	GLOWING EMBERS	16
4.7	LOGO PLACEMENT	16
5.0	ELECTRICAL INFORMATION	17
5.1	WIRING DIAGRAM	17
6.0	OPERATION	18
6.1	OPERATING AND LIGHTING INSTRUCTIONS	18
6.2	GENERAL TRANSMITTER LAYOUT	19
6.3	APPLIANCE OPERATION	19
6.4	HAND HELD REMOTE OPERATIONS	19
6.5	TEMPERATURE DISPLAY	19
6.6	ROOM THERMOSTAT	20
6.7	SMART THERMOSTAT	20
6.8	FLAME HEIGHT	20
6.9	CHILD PROOF FUNCTION	20
6.10	NIGHT LIGHT	21
6.11	LOW BATTERY / MANUAL BYPASS	21
6.12	IN THE EVENT OF A POWER FAILURE	21
6.13	CONTROL MODULE	21
6.14	SPLIT FLOW VALVE	22
6.15	ANTI CONDENSATION CONTROL SWITCH	22
6.16	TIMED BLOWER	22
7.0	ADJUSTMENTS	23
7.1	PILOT BURNER ADJUSTMENT	23
7.2	VENTURI ADJUSTMENT	23
7.3	FLAME CHARACTERISTICS	24
8.0	MAINTENANCE	25
8.1	ANNUAL MAINTENANCE	26
8.2	CARE OF GLASS	26
8.3	CARE OF PLATED PARTS	27
8.4	DOOR GLASS REPLACEMENT	27
8.5	BURNER REMOVAL	28
8.6	FCM REPLACEMENT	28
8.7	NIGHT LIGHT™ REPLACEMENT	29
8.8	VALVE TRAIN REPLACEMENT	29
9.0	REPLACEMENTS	30
9.1	OVERVIEW	31
9.2	VALVE TRAIN ASSEMBLY	33
9.3	FIREBOX TOP ASSEMBLY	34
10.0	ACCESSORIES	35
11.0	TROUBLESHOOTING	36
12.0	WARRANTY	39
13.0	SERVICE HISTORY	40
14.0	NOTES	41

NOTE: changes, other than editorial, are denoted by a vertical line in the margin.

1.0 INSTALLATION OVERVIEW



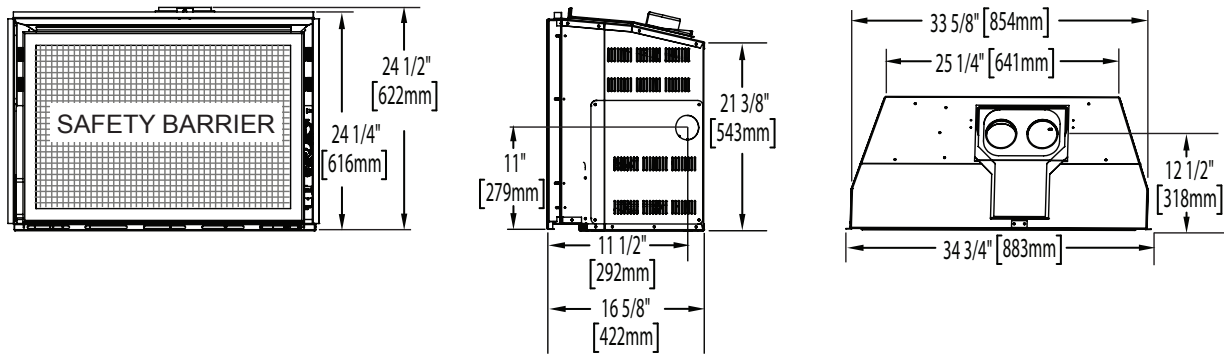
Batteries must be disposed of according to the local laws and regulations. Some batteries may be recycled, and may be accepted for disposal at your local recycling center. Check with your municipality for recycling instructions.

2.0 INTRODUCTION

WARNING

- **THIS APPLIANCE IS HOT WHEN OPERATED AND CAN CAUSE SEVERE BURNS IF CONTACTED.**
- **ANY CHANGES OR ALTERATIONS TO THIS APPLIANCE OR ITS CONTROLS CAN BE DANGEROUS AND IS PROHIBITED.**
- Do not operate appliance before reading and understanding operating instructions. Failure to operate appliance according to operating instructions could cause fire or injury.
- Risk of fire or asphyxiation do not operate appliance with fixed glass removed.
- Do not connect 110 volts to the control valve.
- Risk of burns. The appliance should be turned off and cooled before servicing.
- Do not install damaged, incomplete or substitute components.
- Risk of cuts and abrasions. Wear protective gloves and safety glasses during installation. Sheet metal edges may be sharp.
- Do not burn wood or other materials in this appliance.
- **Children and adults should be alerted to the hazards of high surface temperature and should stay away to avoid burns or clothing ignition.**
- **Young children should be carefully supervised when they are in the same room as the appliance. Toddlers, young children and others may be susceptible to accidental contact burns. A physical barrier is recommended if there are at risk individuals in the house. To restrict access to an appliance, install an adjustable safety gate to keep toddlers, young children and other at risk individuals out of the room and away from hot surfaces.**
- **Clothing or other flammable material should not be placed on or near the appliance.**
- **Due to high temperatures, the appliance should be located out of traffic and away from furniture and draperies.**
- Ensure you have incorporated adequate safety measure to protect infants/toddlers from touching hot surfaces.
- Even after the appliance is out, the glass and/or screen will remain hot for an extended period of time.
- Check with your local hearth specialty dealer for safety screens and hearth guards to protect children from hot surfaces. These screens and guards must be fastened to the floor.
- **Any safety screen, guard or barrier removed for servicing the appliance, must be replaced prior to operating the appliance.**
- The appliance is a vented gas-fired appliance. Do not burn wood or other materials in the appliance
- It is imperative that the control compartments, burners and circulating blower and its passageway in the appliance and venting system are kept clean. The appliance and its venting system should be inspected before use and at least annually by a qualified service person. More frequent cleaning may be required due to excessive lint from carpeting, bedding material, etc. The appliance area must be kept clear and free from combustible materials, gasoline and other flammable vapors and liquids.
- Under no circumstances should this appliance be modified.
- This appliance must not be connected to a chimney flue pipe serving a separate solid fuel burning appliance.
- Do not use this appliance if any part has been under water. Immediately call a qualified service technician to inspect the appliance and to replace any part of the control system and any gas control which has been under water.
- Do not operate the appliance with the glass door removed, cracked or broken. Replacement of the glass should be done by a licensed or qualified service person.
- Do not strike or slam shut the appliance glass door.
- When equipped with pressure relief doors, they must be kept closed while the appliance is operating to prevent exhaust fumes containing carbon monoxide, from entering into the home. Temperatures of the exhaust escaping through these openings can also cause the surrounding combustible materials to overheat and catch fire.
- **Only doors / optional fronts certified with the appliance are to be installed on the appliance.**
- Keep the packaging material out of reach of children and dispose of the material in a safe manner. As with all plastic bags, these are not toys and should be kept away from children and infants.
- As with any combustion appliance, we recommend having your appliance regularly inspected and serviced as well as having a Carbon Monoxide Detector installed in the same area to defend you and your family against Carbon Monoxide.
- Ensure clearances to combustibles are maintained when building a mantel or shelves above the appliance. Elevated temperatures on the wall or in the air above the appliance can cause melting, discolouration or damage of decorations, a T.V. or other electronic components.
- **A barrier designed to reduce the risk of burns from the hot viewing glass is provided with this appliance and shall be installed.**
- **If the barrier becomes damaged, the barrier shall be replaced with the manufacturer's barrier for this appliance.**
- **Installation and repair should be done by a qualified service person. The appliance should be inspected before use and at least annually by a professional service person. More frequent cleaning may be required due to excessive lint from carpeting, bedding material, etc. It is imperative that control compartments, burners and circulating air passageways of the appliance be kept clean.**

2.1 DIMENSIONS



2.2 MINIMUM CLEARANCE TO COMBUSTIBLES

This appliance must be recessed into a vented non-combustible wood-burning appliance (prefabricated or masonry) only. The minimum appliance opening size in which the appliance is to be installed is:

HEIGHT 25" (63.5cm) WIDTH 34.25" (87cm) DEPTH 17" (43.2cm)

The minimum allowable chimney flue size is 7" (178mm) round.

The minimum distance, from the bottom of a combustible mantel projecting 3" (76mm) maximum from the wall to the top of the appliance, is 14" (35.6cm) (see "MINIMUM MANTEL CLEARANCES" section).

2.3 GENERAL INSTRUCTIONS

! WARNING
ALWAYS LIGHT THE PILOT WHETHER FOR THE FIRST TIME OR IF THE GAS SUPPLY HAS RUN OUT, WITH THE GLASS DOOR OPENED OR REMOVED.
PROVIDE ADEQUATE CLEARANCE FOR SERVICING AND OPERATING THE APPLIANCE.
PROVIDE ADEQUATE VENTILATION.
NEVER OBSTRUCT THE FRONT OPENING OF THE APPLIANCE.
OBJECTS PLACED IN FRONT OF THE APPLIANCE MUST BE KEPT A MINIMUM OF 48 INCHES (121.9cm) FROM THE FRONT FACE OF THE APPLIANCE.
SURFACES AROUND AND ESPECIALLY ABOVE THE APPLIANCE CAN BECOME HOT. AVOID CONTACT WHEN THE APPLIANCE IS OPERATING.
FIRE RISK. EXPLOSION HAZARD.
HIGH PRESSURE WILL DAMAGE VALVE. DISCONNECT GAS SUPPLY PIPING BEFORE PRESSURE TESTING GAS LINE AT TEST PRESSURES ABOVE 1/2 PSIG. CLOSE THE MANUAL SHUT-OFF VALVE BEFORE PRESSURE TESTING GAS LINE AT TEST PRESSURES EQUAL TO OR LESS THAN 1/2 PSIG (35mb).
USE ONLY WOLF STEEL APPROVED OPTIONAL ACCESSORIES AND REPLACEMENT PARTS WITH THIS APPLIANCE. USING NON-LISTED ACCESSORIES (BLOWERS, DOORS, LOUVRES, TRIMS, GAS COMPONENTS, VENTING COMPONENTS, ETC.) COULD RESULT IN A SAFETY HAZARD AND WILL VOID THE WARRANTY AND CERTIFICATION.

THIS GAS APPLIANCE SHOULD BE INSTALLED AND SERVICED BY A QUALIFIED INSTALLER to conform with local codes. Installation practices vary from region to region and it is important to know the specifics that apply to your area, for example in Massachusetts State:

- This product must be installed by a licensed plumber or gas fitter when installed within the commonwealth of Massachusetts.
- The appliance damper must be removed or welded in the open position prior to installation of an appliance insert or gas log.
- The appliance off valve must be a "T" handle gas cock.
- The flexible connector must not be longer than 36 inches (91.4cm).
- A Carbon Monoxide detector is required in all rooms containing gas fired appliances.
- The appliance is not approved for installation in a bedroom or bathroom unless the unit is a direct vent sealed combustion product.

The installation must conform with local codes or, in absence of local codes, the National Gas and Propane Installation Code CSA B149.1 in Canada, or the National Fuel Gas Code, ANSI Z223.1 / NFPA 54 in the United States. Suitable for mobile home installation if installed in accordance with the current standard CAN/CSA Z240MH Series, for gas equipped mobile homes, in Canada or ANSI Z223.1 and NFPA 54 in the United States.

NATIONAL
FIREPLACE
INSTITUTE



CERTIFIED

www.nficertified.org

We suggest that our gas hearth products be installed and serviced by professionals who are certified in the U.S. by the National Fireplace Institute® (NFI) as NFI Gas Specialists

Some appliances have optional fans or blowers. If an optional fan or blower is installed, the junction box must be electrically connected and grounded in accordance with local codes, use the current CSA C22.1 Canadian Electrical Code in Canada or the ANSI/NFPA 70 National Electrical code in the United States.

4.12A

2.4 GENERAL INFORMATION

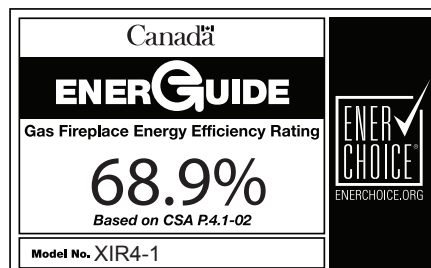
FOR YOUR SATISFACTION, THIS APPLIANCE HAS BEEN TEST-FIRED TO ASSURE ITS OPERATION AND QUALITY!

XIR4-1		
	NG	P
Altitude (FT)	0-4,500	0-4,500
Max. Input (BTU/HR)	40,000	40,000
Max. Output (BTU/HR)	33,200	33,200
Efficiency (w/the fan on)	83%	83%
A.F.U.E. (maximum value)	79%	79%
Min. Inlet Gas Supply Pressure	4.5" Water Column (11mb)	11" Water Column (27mb)
Max. Inlet Gas Supply Pressure	13" Water Column (32mb)	13" Water Column (32mb)
Manifold Pressure (Under Flow Conditions)	3.5" Water Column (9mb)	10" Water Column (25mb)

When the appliance is installed at elevations above 4,500ft (1372m), and in the absence of specific recommendations from the local authority having jurisdiction, the certified high altitude input rating shall be reduced at the rate of 4% for each additional 1,000ft (305m). Expansion / contraction noises during heating up and cooling down cycles are normal and to be expected.

This appliance is not approved for closet or recessed installations. It is approved for bathroom, bedroom and bed-sitting room installations and is suitable for mobile homes. The natural gas model is suitable for installation in a mobile home that is permanently positioned on its site and fuelled with natural gas.

A barrier designed to reduce the risk of burns from the hot viewing glass is provided with the appliance and must be installed.



2.5 RATING PLATE INFORMATION

CONFORMS TO / CONFORME AUX: ANSI Z21.50-2014, CERTIFIED TO / CERTIFIÉ CSA 2.22-2014 VENTED GAS FIREPLACE / FOYER À GAZ VENTILÉ.

DO NOT TURN ON IF CHILDREN OR OTHER AT RISK INDIVIDUALS ARE NEAR THE FIREPLACE. DIRECT VENT GAS FIREPLACE. SUITABLE FOR BEDROOM, BATHROOM AND BED-SITTING ROOM INSTALLATION. SUITABLE FOR MOBILE HOME INSTALLATION IF INSTALLED IN ACCORDANCE WITH THE CURRENT STANDARD CAN/CSA Z240MH SERIES GAS EQUIPPED MOBILE HOMES, IN CANADA OR IN THE UNITED STATES THE MANUFACTURED HOME CONSTRUCTION AND SAFETY STANDARD, TITLE 24 CFR, PART 3280. WHEN THIS US STANDARD IS NOT APPLICABLE USE THE STANDARD FOR FIRE SAFETY CRITERIA FOR MANUFACTURED HOME INSTALLATIONS, SITES AND COMMUNITIES, ANSI / NFPA 501A. **FOR USE WITH BARRIER W565-0134. FOLLOW THE INSTALLATION INSTRUCTIONS LOCATED IN THE INSTALLATION MANUAL.**

NATURAL GAS / GAZ MODEL

XIR4N CXIR4N

4500FT (0-1370m)
40,000 BTU/h
16,000 BTU/h

MANIFOLD PRESSURE: 3.5" WATER COLUMN
PRESSION AU COLLECTEUR: 3.5" D'UNE COLONNE D'EAU
MINIMUM SUPPLY PRESSURE: 4.5" WATER COLUMN
PRESSION D'ALIMENTATION MINIMALE: 4.5" D'UNE COLONNE D'EAU
MAXIMUM SUPPLY PRESSURE: 7.0" WATER COLUMN
PRESSION D'ALIMENTATION MAXIMALE: 7.0" D'UNE COLONNE D'EAU
P4: 68.9%

PROPANE MODEL

XIR4P CXIR4P

4500FT (0-1370m)
40,000 BTU/h
15,000 BTU/h

MANIFOLD PRESSURE: 10" WATER COLUMN
PRESSION AU COLLECTEUR: 10" D'UNE COLONNE D'EAU
MINIMUM SUPPLY PRESSURE: 11" WATER COLUMN
PRESSION D'ALIMENTATION MINIMALE: 11" D'UNE COLONNE D'EAU
MAXIMUM SUPPLY PRESSURE: 13" WATER COLUMN
PRESSION D'ALIMENTATION MAXIMALE: 13" D'UNE COLONNE D'EAU
P4: 68.9%

THIS VENTED GAS FIREPLACE IS NOT FOR USE WITH AIR FILTERS. FOR USE WITH GLASS DOORS CERTIFIED FOR THIS UNIT ONLY. NOT FOR USE WITH SOLID FUEL.

WARNING: DO NOT ADD ANY MATERIAL TO THE APPLIANCE THAT WILL COME IN CONTACT WITH THE FLAMES, OTHER THAN THAT SUPPLIED BY THE MANUFACTURER WITH THE APPLIANCE.
DECORATIVE PRODUCT: NOT FOR USE AS A HEATING APPLIANCE.

ELECTRICAL RATING: 115V 1.5AMP 60HZ
THE APPLIANCE MUST BE VENTED USING THE APPROPRIATE WOLF STEEL VENT KITS. SEE OWNER'S INSTALLATION MANUAL FOR VENTING SPECIFICS. PROPER REINSTALLATION AND RESEALING IS NECESSARY AFTER SERVICING THE VENT-AIR INTAKE SYSTEM.

WARNING: FOR INSTALLATION INTO A VENTED NON-COMBUSTIBLE FIREPLACE ONLY. THE MINIMUM FIREPLACE SIZE IS: HEIGHT 24 1/8", DEPTH 17", WIDTH 34". THE MINIMUM INSIDE FLUE SIZE IS 6". THE MINIMUM DISTANCE FROM THE BOTTOM OF A COMBUSTIBLE MANTEL PROJECTING A MAXIMUM 3" FROM THE WALL TO THE TOP OF THE UNIT IS 12". SEE OWNER'S MANUAL FOR GREATER EXTENSIONS.
OPTIONAL FAN KIT - GZ550-KT, GD65.

WOLF STEEL LTD.
24 NAPOLEON ROAD, BARRIE, ONTARIO L4M 0G8 CANADA

CE FOYER À GAZ VENTILÉS NE DOIT PAS ÊTRE UTILISÉ CONJOINTEMENT AVEC DES FILTRES À AIR. UTILISER AVEC LES PORTES VITRÉES HOMOLOGUÉES AVEC CETTE UNITÉ SEULEMENT. UN COMBUSTIBLE SOLIDE NE DOIT PAS ÊTRE UTILISÉ AVEC CET APPAREIL.

AVERTISSEMENT: N'A JOUITEZ PAS A CET APPAREIL AUCUN MATERIAU DEVANT ENTRER EN CONTACT AVEC LES FLAMMES AUTRE QUE CELUI QUI EST FOURNI AVEC CET APPAREIL PAR LE FABRICANT.
PRODUIT DÉCORATIF: NE PAS UTILISER COMME APPAREIL DE CHAUFFAGE

CLASS: 115V, 1.5AMP, 60HZ
L'APPAREIL DOIT ÉVACUER SES GAZ EN UTILISANT L'ENSEMBLE D'ÉVACUATION PROPRE A WOLF STEEL. REFERER AU MANUEL D'INSTALLATION DE PROPRIÉTAIRE POUR L'ÉVACUATION PRÉCISE. IL EST IMPORTANT DE BIEN REINSTALLER ET RESCELLER L'ÉVENT APRES AVOIR ASSURE LE MAINTIEN DU SYSTEME DE PRISE D'AIR.

ATTENTION: POUR INSTALLATION DANS UN FOYER VENTILÉ EN MAÇONNERIE. LES DIMENSIONS MINIMUMS SONT: HAUTER 24 1/8", PROFONDEUR 17", LARGEUR 34". LE DIAMÈTRE INTÉRIEUR MINIMUM DE CONDUIT D'ÉVACUATION EST DE 6". LA DISTANCE MINIMALE DU BAS DU MANTEAU COMBUSTIBLE FORMANT UNE PROJECTION MAXIMALE DE 3" DU MUR AU DESSUS DE LA GARNITURE NORMALE EST 12". REFERER AU MANUEL D'INSTALLATION POUR DES EXTENSIONS PLUS GRANDES.
SOUFFLERIE OPTIONELLE GZ550-KT, GD65.

MODEL
ALTITUDE/ELEVATION
INPUT/ALIMENTATION
REDUCED INPUT/ALIMENTATION REDUITE

REFERENCE #161746

CERTIFIED FOR
CERTIFIÉ POUR

CANADA USA

SERIAL NUMBER/NO. DE SERIE: **XIR4/CXIR4** W385-1973 / A

INSTALLER: It is your responsibility to check off the appropriate box on the rating plate according to the model, venting and gas type of the appliance.

For rating plate location, see "INSTALLATION OVERVIEW" section.

This illustration is for reference only. Refer to the rating plate on the appliance for accurate information.

NOTE: The rating plate must remain with the appliance at all times. It must not be removed.

3.0 INSTALLATION

WARNING

RISK OF FIRE, MAINTAIN SPECIFIED AIR SPACE CLEARANCES TO VENT PIPE AND APPLIANCE.

Clean out ashes from the inside of the wood-burning appliance. Make sure that the chimney and wood-burning appliance are in a clean and sound condition and constructed of non-combustible materials. If necessary have any repair work done by a qualified person before installing the insert. Remove the existing appliance damper or lock into an open position.

Using screws, attach the appliance warning tag to the inside of the firebox of the appliance into which the insert is being installed.

The sheet-metal parts of the appliance, in which the gas appliance insert is to be installed, must not be cut.

If the wood-burning factory-built appliance has no gas access hole(s) provided, an access hole of 1½ inch (38.1mm) or less may be drilled through the lower sides or bottom of the appliance in a proper workman like manner. This access hole must be plugged with non-combustible insulation after the gas supply line has been installed.

Ensure that existing chimney cleanouts fit properly.

The refractory, glass doors, screen rails, screen mesh and log grates may be removed from the existing appliance before installing the gas appliance insert.

Smoke shelves, shields and baffles may be removed if attached by mechanical fasteners.

The ventilation openings in the existing appliance may be obstructed by the backer plates, aluminium trim etc. but these parts are not to be applied so as to have an airtight seal.

WARNING: THIS FIREPLACE HAS BEEN CONVERTED FOR USE WITH A GAS FIREPLACE INSERT ONLY AND CANNOT BE USED FOR BURNING WOOD OR SOLID FUELS UNLESS ALL ORIGINAL PARTS HAVE BEEN REPLACED AND THE FIREPLACE IS RE-APPROVED BY THE AUTHORITY HAVING JURISDICTION.

ATTENTION: CE FOYER A ETE CONVERTI AFIN D'ETRE UTILISE SEULEMENT COMME FOYER ENCASTRE AU GAZ ET NE PEUT ETRE UTILISE POUR BRULER DU BOIS OU TOUT AUTRE COMBUSTIBLE SOLIDE, SANS QUE TOUTES LES PIECES ORIGINALES AIENT ETE REMPLACEES ET QUE LE FOYER SOIT APPROUVE DE NOUVEAU PAR LES AUTORITES AYANT JURISDICTION.

ADVERTENCIA: ESTA CHIMENEA SE REMODELÓ PARA USARSE SOLO CON UNA INSERCIÓN DE CHIMENEA A GAS Y NO PUEDE USARSE PARA QUEMAR MADERA NI COMBUSTIBLES SÓLIDOS, A MENOS QUE SE HAYAN REEMPLAZADO TODAS LAS PIEZAS ORIGINALES, Y LA AUTORIDAD JURISDICCIONAL LA HAYA VUELTO A APROBAR.

W385-0199_B

68.4B



3.1 LEVELLING THE APPLIANCE

Move the appliance close to its final position. This appliance is equipped with levelling screws located on the base. Level using the levelling screws. Levelling the appliance will eliminate rocking or excessive noise when the fan is in operation. Once the appliance is level, move it partially into place to allow for all connections to be made. It is not practical to level the appliance once it has been installed. Determine the required depth prior to installing the appliance and adjust the levelling screws accordingly.

67.2

3.2 CHIMNEY CONNECTION

Chimney installation must conform to both national and local code requirements. The chimney must be lined with one 3" (76mm) diameter liner for intake and one 3" (76mm) diameter liner for exhaust. The minimum and maximum vent lengths are 10 feet (3m) and 35 feet (11m) respectively.

Recommended kits come in 3 lengths:

2-3" DOUBLE PLY ALUMINUM LINER-INLET AND EXHAUST:

GDI-320KT	VENT KIT 20FT (6m)
GDI-325KT	VENT KIT 25 FT (7m)
GDI-335KT	VENT KIT 35 FT (11m)

While the liners must be continuous from the appliance to the chimney cap, to achieve the needed length, they may be coupled, using an approved coupler and sealant.

We recommend that exhaust vents that pass through unheated spaces, such as tall exterior chimneys, be wrapped in a protective sleeve to minimize condensation and reverse flow symptoms. See "TROUBLESHOOTING" section for details.

This appliance is approved for use with a 3" (76mm) exhaust and air intake.

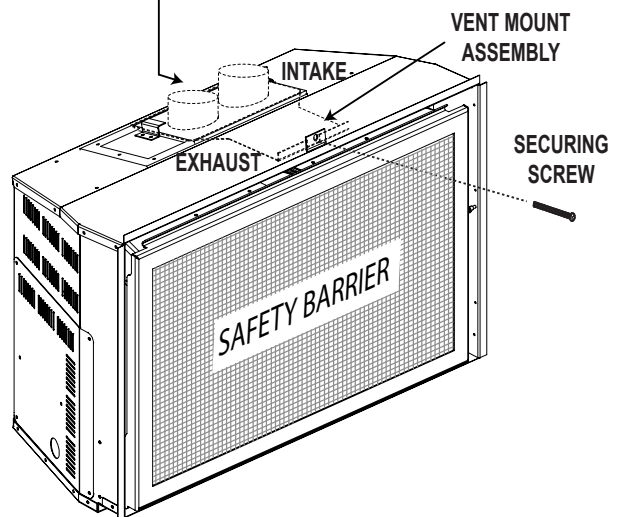
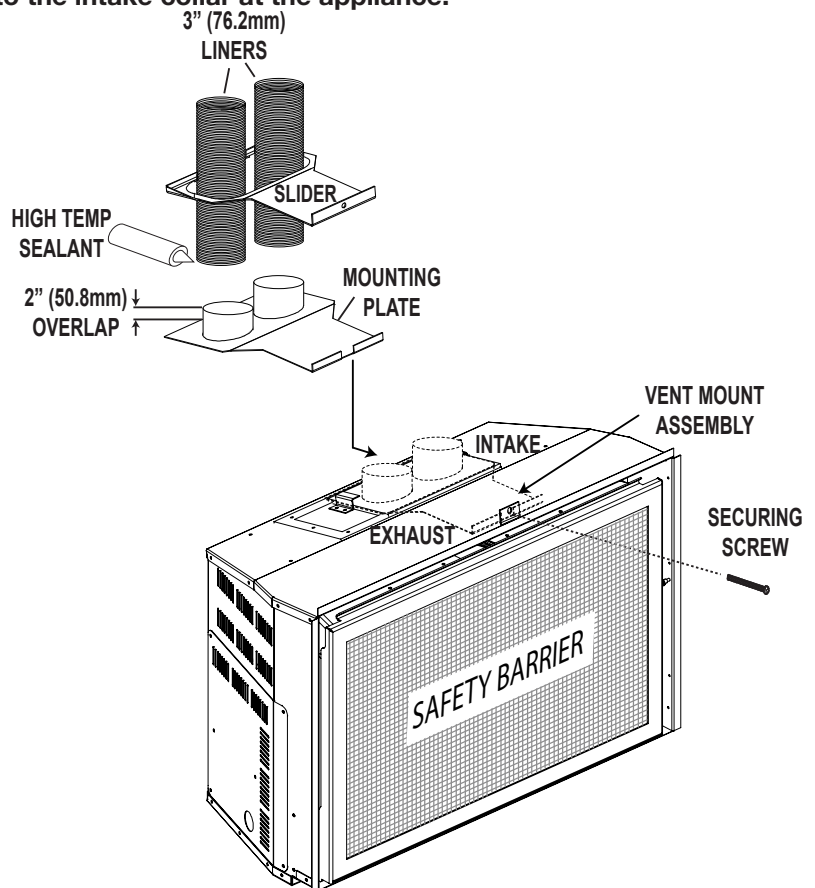
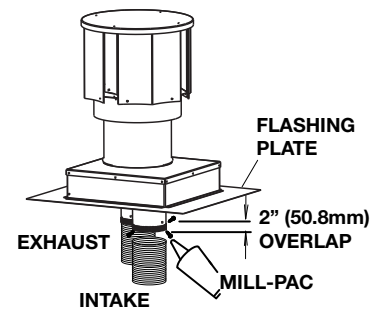
- A. OUTSIDE:** Slip the one end of a liner a minimum of 2" (51mm) over the sleeve of the air terminal. Secure using 3 screws. Then seal the joint and screw heads with high temperature sealant. Repeat with the other liner.

NOTE: We recommend that the other end of the exhaust liner be marked to eliminate the exhaust liner being connected to the intake collar at the appliance.

- B.** Gently stretch the liners to the required lengths and insert into the chimney. Trim and fit the flashing plate to suit the chimney termination. Place the air terminal onto the top of the chimney. Make weather tight by sealing with caulking (not supplied). Fasten to the chimney with screws and plugs (not supplied).

- C. INSIDE:** Remove the securing screw from the front of the vent mounting plate. Pull the vent mounting plate only, back into the track, to the front stop. Start the slider back into position. Re-secure the screw. The appliance may now be pushed into its final position inside the wood burning appliance, and the screw tightened until the slider has been pulled tight to the front stop.

- D.** Route the flex liners through the slider. Attach and secure the liners to the vent mounting plate using the same procedure as before, ensuring that the marked exhaust liner is attached to the exhaust collar.



3.3 GAS INSTALLATION

! WARNING
RISK OF FIRE, EXPLOSION OR ASPHYXIATION. ENSURE THERE ARE NO IGNITION SOURCES SUCH AS SPARKS OR OPEN FLAMES.
SUPPORT GAS CONTROL WHEN ATTACHING GAS SUPPLY PIPE TO PREVENT DAMAGING GAS LINE.
ALWAYS LIGHT THE PILOT WHETHER FOR THE FIRST TIME OR IF THE GAS SUPPLY HAS RUN OUT WITH THE GLASS DOOR OPENED OR REMOVED. PURGING OF THE GAS SUPPLY LINE SHOULD BE PERFORMED BY A QUALIFIED SERVICE TECHNICIAN. ASSURE THAT A CONTINUOUS GAS FLOW IS AT THE BURNER BEFORE CLOSING THE DOOR. ENSURE ADEQUATE VENTILATION. FOR GAS AND ELECTRICAL LOCATIONS, SEE "DIMENSIONS" SECTION.
ALL GAS CONNECTIONS MUST BE CONTAINED WITHIN THE APPLIANCE WHEN COMPLETE.
HIGH PRESSURE WILL DAMAGE VALVE. DISCONNECT GAS SUPPLY PIPING BEFORE TESTING GAS LINE AT TEST PRESSURES ABOVE 1/2 PSIG.
VALVE SETTINGS HAVE BEEN FACTORY SET, DO NOT CHANGE.

Installation and servicing to be done by a qualified installer.

- Move the appliance into position and secure.
- If equipped with a flex connector the appliance is designed to accept a 1/2" (13mm) gas supply. Without the connector it is designed to accept a 3/8" (9.5mm) gas supply. The appliance is equipped with a manual shut off valve to turn off the gas supply to the appliance.
- Connect the gas supply in accordance to local codes. In the absence of local codes, install to the current CAN/CSA-B149.1 Installation Code in Canada or to the current National Fuel Gas Code, ANSI Z223.1 / NFPA 54 in the United States.
- When flexing any gas line, support the gas valve so that the lines are not bent or kinked.
- The gas line flex-connector should be installed to provide sufficient movement for shifting the burner assembly on its side to aid with servicing components.
- Check for gas leaks by brushing on a soap and water solution. **Do not use open flame.**

30.1A

4.0 FINISHING

! WARNING
RISK OF FIRE!
NEVER OBSTRUCT THE FRONT OPENING OF THE APPLIANCE.
IF FINISHING THE FRONT OF THE APPLIANCE, IT MUST BE FINISHED WITH ANY NON-COMBUSTIBLE MATERIAL SUCH AS BRICK, MARBLE, GRANITE, ETC.
DO NOT STRIKE, SLAM OR SCRATCH GLASS. DO NOT OPERATE APPLIANCE WITH GLASS REMOVED, CRACKED, BROKEN OR SCRATCHED.
FACING AND/OR FINISHING MATERIAL MUST NEVER OVERHANG INTO THE APPLIANCE OPENING.

72.1B

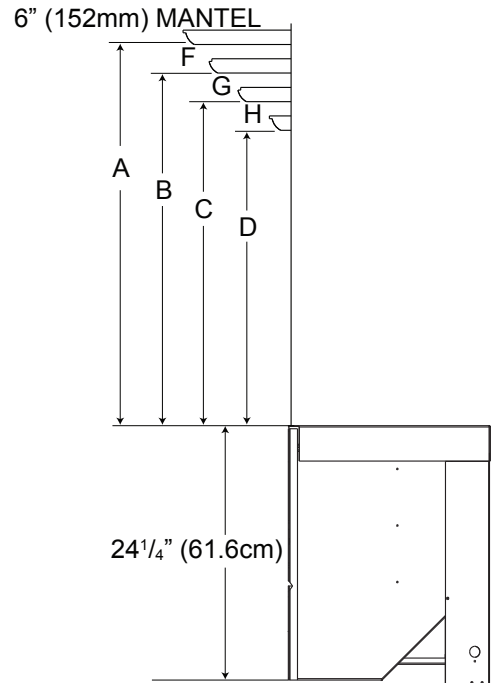
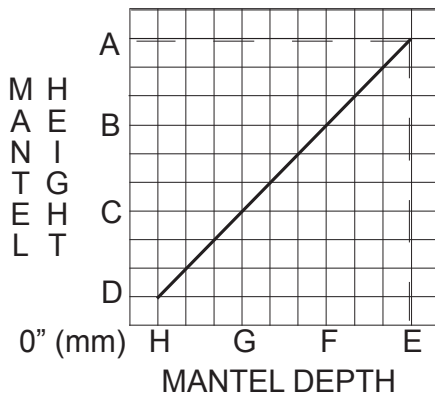
4.1 MINIMUM COMBUSTIBLE MANTEL CLEARANCES

! WARNING
RISK OF FIRE, MAINTAIN ALL SPECIFIED AIR SPACE CLEARANCES TO COMBUSTIBLES. FAILURE TO COMPLY WITH THESE INSTRUCTIONS MAY CAUSE A FIRE OR CAUSE THE APPLIANCE TO OVERHEAT. ENSURE ALL CLEARANCES (I.E. BACK, SIDE, TOP, VENT, MANTEL, FRONT, ETC.) ARE CLEARLY MAINTAINED.
WHEN USING PAINT OR LACQUER TO FINISH THE MANTEL, THE PAINT OR LACQUER MUST BE HEAT RESISTANT TO PREVENT DISCOLOURATION.

73.1

Combustible mantel clearance can vary according to the mantel depth. Use the graph to help evaluate the clearance needed. These same requirements apply to any combustibles protruding on either side of the appliance.

MANTEL DIMENSIONS	
Ref	
A	17" (43.2cm)
B	16" (40.6cm)
C	15" (38.1cm)
D	14" (35.6cm)
E	6" (152mm)
F	5" (127mm)
G	4" (102mm)
H	3" (76mm)



4.2 SAFETY SCREEN & DOOR REMOVAL / INSTALLATION

! WARNING

GLASS MAY BE HOT, DO NOT TOUCH GLASS UNTIL COOLED.

IF EQUIPPED WITH DOOR LATCHES THAT ARE PART OF A SAFETY RELIEF SYSTEM, THEY MUST BE PROPERLY ENGAGED. DO NOT OPERATE THE APPLIANCE WITH LATCHES DISENGAGED.

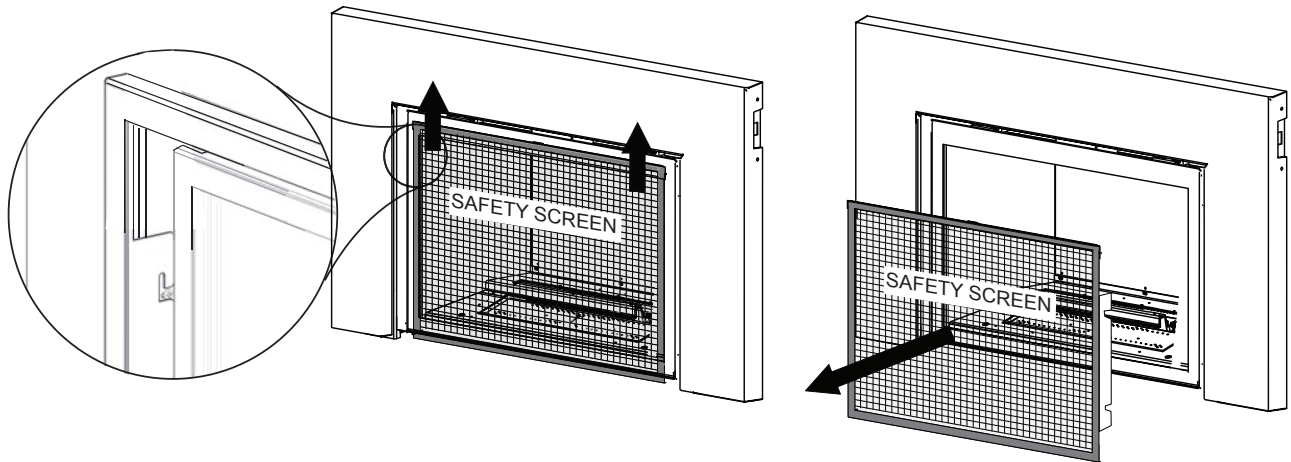
FACING AND/OR FINISHING MATERIALS MUST NOT INTERFERE WITH AIR FLOW THROUGH AIR OPENINGS, LOUVRE OPENINGS, OPERATION OF LOUVRES OR DOORS OR ACCESS FOR SERVICE. OBSERVE ALL CLEARANCES WHEN APPLYING COMBUSTIBLE MATERIALS.

BEFORE DOOR IS REMOVED TURN THE APPLIANCE OFF AND WAIT UNTIL APPLIANCE IS COOL TO THE TOUCH. DOORS ARE HEAVY AND FRAGILE SO HANDLE WITH CARE.

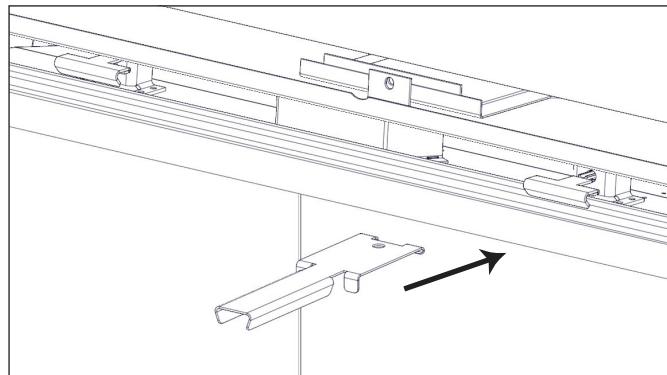
75.1A

A barrier designed to reduce the risk of burns from the hot viewing glass is provided with the appliance and shall be installed.

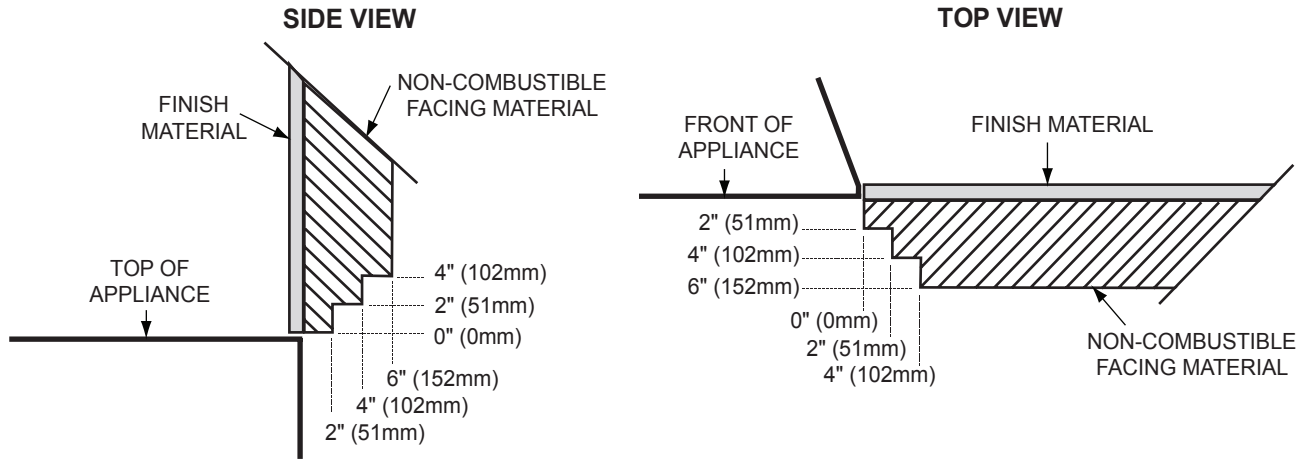
Before the glass door can be removed, the safety screen must be removed. Lift the safety screen off the 4 side pins and remove from the appliance.



- A. There are 2 latches on the top of each door.
- B. Using the tool provided, pull the latch forward and upwards, out of the slot in the door, as shown. Ensure to keep one hand on the door at all times, to prevent it from falling on the floor.
- C. When both latches have been released tilt the door forward and out of the bottom door retainer.
- D. Reverse these steps to re-install the safety screen and door. Ensure safety screen is installed correctly.



4.3 NON-COMBUSTIBLE FACING MATERIAL



WARNING: Non-combustible facing material may protrude from the top, and/or sides of this appliance, as illustrated [up to a maximum of 6" (152.4mm)]. Greater than 6" (152.4mm) protrusions are considered a mantel and must meet the combustible mantel requirements.

EN

4.4 LOG PLACEMENT

! WARNING

FAILURE TO POSITION THE LOGS IN ACCORDANCE WITH THESE DIAGRAMS OR FAILURE TO USE ONLY LOGS SPECIFICALLY APPROVED WITH THIS APPLIANCE MAY RESULT IN PROPERTY DAMAGE OR PERSONAL INJURY.

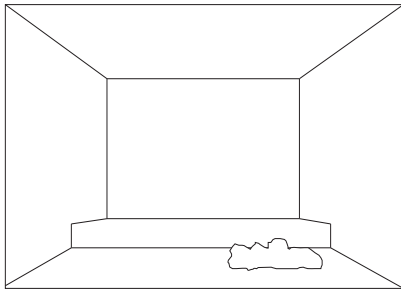
LOGS MUST BE PLACED IN THEIR EXACT LOCATION IN THE APPLIANCE. DO NOT MODIFY THE PROPER LOG POSITIONS, SINCE APPLIANCE MAY NOT FUNCTION PROPERLY AND DELAYED IGNITION MAY OCCUR.

THE LOGS ARE FRAGILE AND SHOULD BE HANDLED WITH CARE.

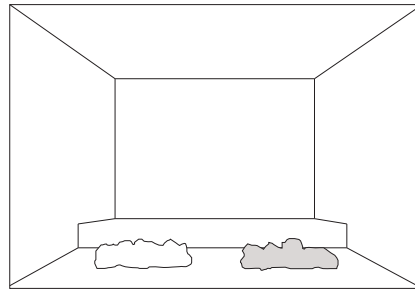
76.1A

PHAZER™ logs and glowing embers exclusive to Napoleon, provide a unique and realistic glowing effect that is different in every installation. Take the time to carefully position the glowing embers for a maximum glowing effect.

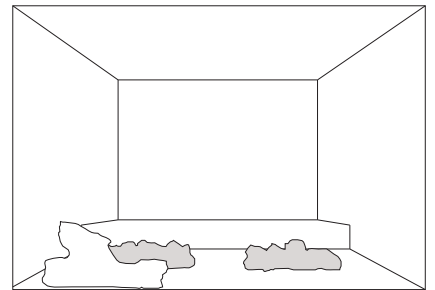
Log colours may vary. During the initial use of the appliance, the colours will become more uniform as colour pigments burn in during the heat activated curing process.



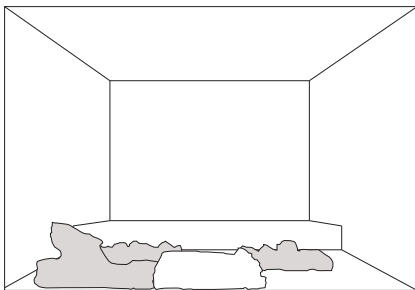
1. Place the right charcoal piece into position, lining up the holes in the bottom with the studs in the right side of the burner.



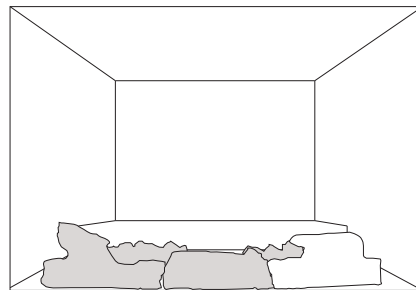
2. Place the left charcoal piece into position, lining up the bottom holes with the studs to the left side of the burner.



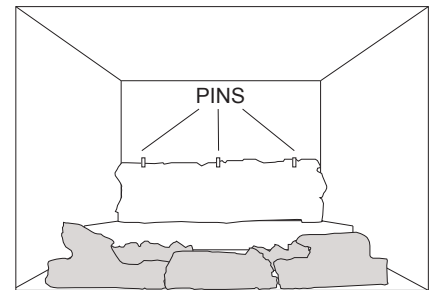
3. Place the left front charcoal piece* into position, lining up the holes in the bottom with the studs in the left front corner.



4. Place the centre charcoal piece* into position, lining up the hole in the bottom with the stud in the front centre of the log support.

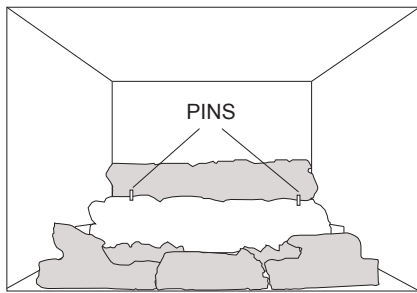


5. Place the right front charcoal piece* into position, lining up the holes in the bottom with the studs in the front right corner.

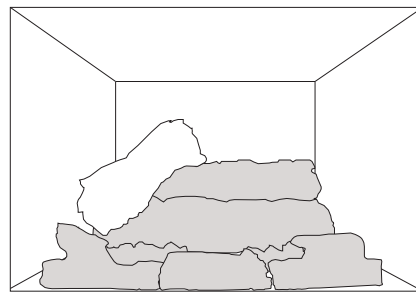


6. Place the rear log against the back panel, lining up the holes with the studs at the back of the firebox. Locate 3 pins (supplied) into the top of the log.

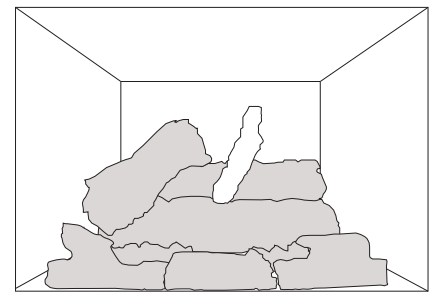
* These front pieces have a lip to distinguish them from the other charcoal pieces.



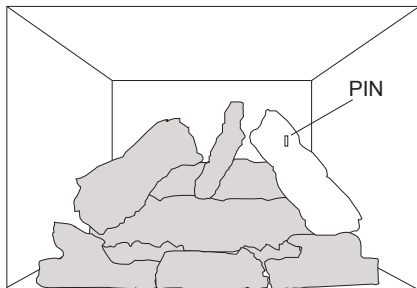
7. Position the middle log behind the burner pan, lining up the holes with the 4 studs, ensuring the log is flat against the base. Place 2 pins into the left and right top holes.



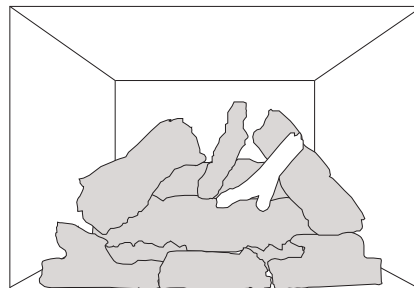
8. Position the left crossover log over the pins in the left side of the middle and rear logs.



9. Position the middle crossover log onto the middle pin of the rear log. Rest the end of the log into the notch of the middle log.



10. Position the right crossover log over the pins in the right side of the middle and rear logs. Place a pin in the top of the log.

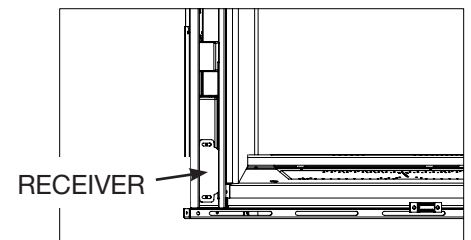


11. Position the small middle crossover log on the right crossover log pin. Resting the other end on the middle log as shown.

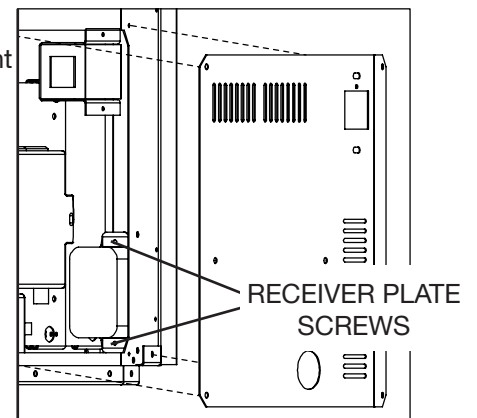
12. Tear the ember material into small pieces and spread on top of the front burner pan. Do not block the burner ports.

4.5 BATTERY INSTALLATION

4 AA batteries must be installed into the receiver before operation is possible. The receiver is located in the bottom left corner of the appliance.



If receiver removal is necessary, remove the left access panel from the front of the appliance. Remove the 2 screws holding the receiver in place. Pull the receiver through the access hole and replace.



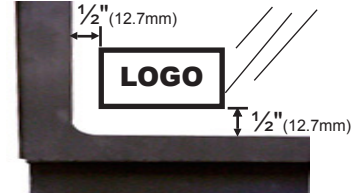
4.6 GLOWING EMBERS

Tear the embers into pieces and place along the front row of ports covering all of the burner area in front of the small logs. Care should be taken to shred the embers into thin, small irregular pieces as only the exposed edges of the fibre hairs will glow. **The ember material will only glow when exposed to direct flame; however, care should be taken to not block the burner ports.**

Blocked burner ports can cause an incorrect flame pattern, carbon deposits and delayed ignition. **PHAZER™** logs glow when exposed to direct flame. Use only certified "glowing embers" and **PHAZER™** logs available from your authorized dealer / distributor.

4.7 LOGO PLACEMENT

Remove the backing of the logo supplied and place on the glass viewing door, as indicated.



97.1A

5.0 ELECTRICAL INFORMATION

! WARNING

DO NOT USE THIS APPLIANCE IF ANY PART HAS BEEN UNDER WATER. CALL A QUALIFIED SERVICE TECHNICIAN IMMEDIATELY TO HAVE THE APPLIANCE INSPECTED FOR DAMAGE TO THE ELECTRICAL CIRCUIT.

RISK OF ELECTRICAL SHOCK OR EXPLOSION. DO NOT WIRE 110V TO THE VALVE OR TO THE APPLIANCE WALL SWITCH. INCORRECT WIRING WILL DAMAGE CONTROLS.

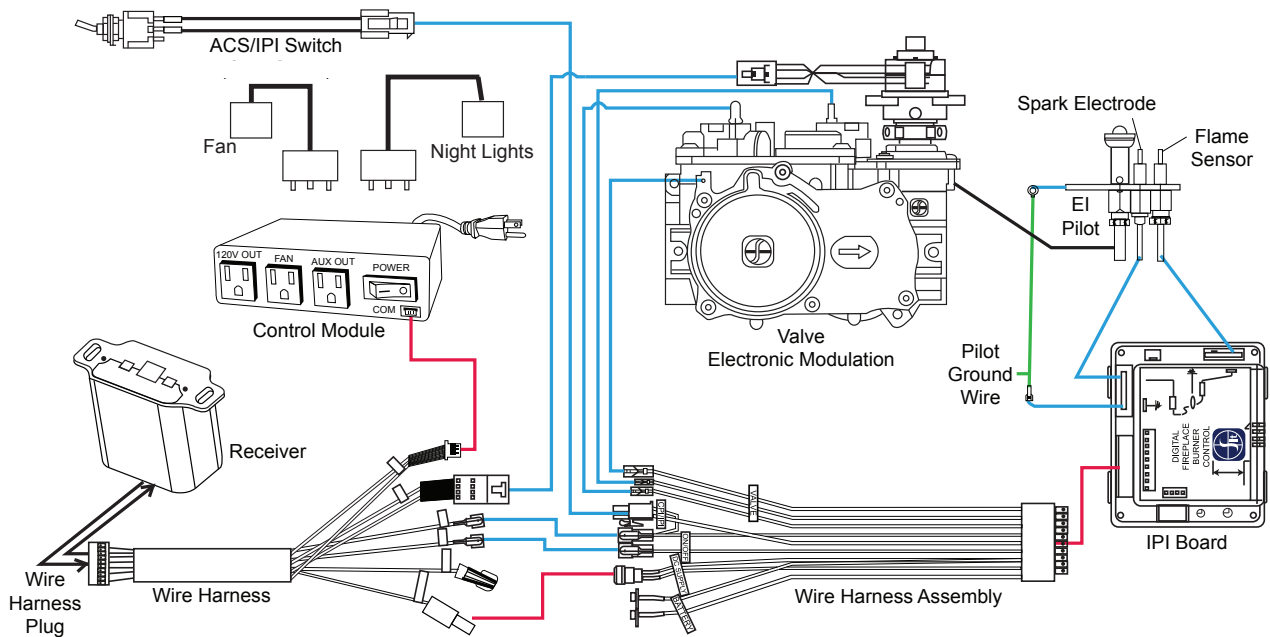
ALL WIRING SHOULD BE DONE BY A QUALIFIED ELECTRICIAN AND SHALL BE IN COMPLIANCE WITH LOCAL CODES. IN THE ABSENCE OF LOCAL CODES, USE THE CURRENT CSA22.1 CANADIAN ELECTRIC CODE IN CANADA OR THE CURRENT NATIONAL ELECTRIC CODE ANSI/NFPA NO. 70 IN THE UNITED STATES.

ALWAYS LIGHT THE PILOT WHETHER FOR THE FIRST TIME OR IF THE GAS SUPPLY HAS RUN OUT, WITH THE GLASS DOOR OPENED OR REMOVED.

69.2_2

5.1 WIRING DIAGRAM

This appliance comes equipped with a battery back-up. If this back-up is used, install 4 AA batteries (not supplied) into the receiver.



6.0 OPERATION



IF YOU DO NOT FOLLOW THESE INSTRUCTIONS EXACTLY, A FIRE OR EXPLOSION MAY RESULT CAUSING PROPERTY DAMAGE, PERSONAL INJURY OR LOSS OF LIFE.

ALWAYS LIGHT THE PILOT WHETHER FOR THE FIRST TIME OR IF THE GAS SUPPLY HAS RUN OUT WITH THE GLASS DOOR OPENED OR REMOVED.

When lit for the first time, the appliance will emit a slight odour for a few hours. This is a normal temporary condition caused by the "burn-in" of internal paints and lubricants used in the manufacturing process and will not occur again. Simply open a window to sufficiently ventilate the room. After extended periods of non-operation such as following a vacation or a warm weather season, the appliance may emit a slight odour for a few hours. This is caused by dust particles in the heat exchanger burning off. Open a window to sufficiently ventilate the room.

6.1 OPERATING AND LIGHTING INSTRUCTIONS

OPERATING INSTRUCTIONS / INSTRUCTIONS D'OPÉRATION

FOR YOUR SAFETY READ BEFORE OPERATING / POUR VOTRE SÉCURITÉ LIRE AVANT DE FAIRE FONCTIONNER

WARNING: DO NOT TURN ON IF CHILDREN OR OTHER AT RISK INDIVIDUALS ARE NEAR THE APPLIANCE. IF YOU DO NOT FOLLOW THESE INSTRUCTIONS EXACTLY, A FIRE OR EXPLOSION MAY RESULT CAUSING PROPERTY DAMAGE, PERSONAL INJURY OR LOSS OF LIFE. INITIAL LIGHTING OF THE PILOT AND MAIN BURNERS MUST BE DONE WITH THE GLASS DOOR OFF. DO NOT CONNECT VALVE OR WALL SWITCH TO ELECTRICITY. SEE INSTALLATION INSTRUCTIONS.

A. THIS APPLIANCE IS EQUIPPED WITH AN IGNITION DEVICE WHICH AUTOMATICALLY LIGHTS THE PILOT. DO NOT TRY TO LIGHT BY HAND.

B. BEFORE OPERATING, SMELL ALL AROUND THE APPLIANCE AREA FOR GAS AND NEXT TO THE FLOOR BECAUSE SOME GAS IS HEAVIER THAN AIR AND WILL SETTLE ON THE FLOOR.

WHAT TO DO IF YOU SMELL GAS:

- TURN OFF ALL GAS TO THE APPLIANCE.
- OPEN WINDOWS.
- DO NOT TRY TO LIGHT ANY APPLIANCE.
- DO NOT TOUCH ANY ELECTRICAL SWITCH; DO NOT USE ANY PHONE IN YOUR BUILDING.
- IMMEDIATELY CALL YOUR GAS SUPPLIER FROM A NEIGHBOUR'S PHONE. FOLLOW THE GAS SUPPLIER'S INSTRUCTIONS.
- IF YOU CANNOT REACH YOUR GAS SUPPLIER, CALL THE FIRE DEPARTMENT.

C. DO NOT TRY TO REPAIR ANY PART OF THIS ASSEMBLY. CALL A QUALIFIED SERVICE TECHNICIAN. FORCE OR ATTEMPTED REPAIR MAY RESULT IN A FIRE OR EXPLOSION.

D. DO NOT USE THIS APPLIANCE IF ANY PART HAS BEEN UNDER WATER. IMMEDIATELY CALL A QUALIFIED SERVICE TECHNICIAN TO INSPECT THE APPLIANCE AND REPLACE ANY PART OF THE CONTROL SYSTEM AND ANY GAS CONTROL WHICH HAS BEEN UNDER WATER.

ATTENTION: NE PAS ALLUMER SI DES ENFANTS OU D'AUTRES INDIVIDUS À RISQUE SONT À PROXIMITÉ DU FOYER. QUICONQUE NE RESPECTE PAS À LA LETTRE LES INSTRUCTIONS DANS LA PRÉSENTE NOTICE, RISQUE DE DÉCLENCHER UN INCENDIE OU UN EXPLOSION ENTRAÎNANT DES DOMMAGES, DES BLESSURES OU LA MORT. L'ALLUMAGE INITIAL DE LA VEILLEUSE ET DU BRÛLEUR PRINCIPAL DOIT SE FAIRE AVEC LA PORTE VITRÉE ENLEVÉE. NE RACCORDEZ PAS LA SOUPEAU OU L'INTERRUPTEUR MURAL À L'ÉLECTRICITÉ. CONSULTEZ LES INSTRUCTIONS D'INSTALLATION.

A. CET APPAREIL EST MUNI D'UN DISPOSITIF D'ALLUMAGE QUI ALLUME AUTOMATIQUÉMENT LA VEILLEUSE. NE TENTEZ PAS D'ALLUMER LA VEILLEUSE MANUELLEMENT.

B. AVANT DE FAIRE FONCTIONNER, RENIFLEZ TOUT AUTOUR DE L'APPAREIL POUR DÉCELER UN ODEUR DE GAZ. RENIFLEZ PRÈS DU PLANCHER, CAR CERTAINS GAZ SONT PLUS LOURDS QUE L'AIR ET PEUVENT S'ACCUMULER AU NIVEAU DU SOL.

QUE FAIRE SI VOUS DÉTECTEZ UNE ODEUR DE GAZ:

- COUPEZ L'ALIMENTATION DE GAZ PRINCIPALE.
- OUVREZ LES FENÊTRES.
- NE PAS TENTER D'ALLUMER D'APPAREIL.
- NE TOUCHEZ À AUCUN INTERRUPTEUR; NE PAS VOUS SERVIR DES TÉLÉPHONES SE TROUVANT DANS LE BÂTIMENT.
- APPELEZ IMMÉDIATEMENT VOTRE FOURNISSEUR DE GAZ DEPUIS UN VOISIN. SUIVEZ LES INSTRUCTIONS DU FOURNISSEUR.
- SI VOUS NE POUVEZ REJOINDRE LE FOURNISSEUR APPELEZ LE SERVICE DES INCENDIES.

C. N'ESSAYEZ PAS DE RÉPARER AUCUNE PIÈCE DE CET ASSEMBLAGE. APPELEZ UN TECHNICIEN QUALIFIÉ. FORCER OU TENTER DE RÉPARER L'ASSEMBLAGE POURRAIT CAUSER UN FEU OU UNE EXPLOSION.

D. N'UTILISEZ PAS CET APPAREIL S'IL A ÉTÉ PLONGÉ DANS L'EAU, MÊME PARTIELLEMENT. FAITES INSPECTER L'APPAREIL PAR UN TECHNICIEN QUALIFIÉ ET REMPLACEZ TOUTE PARTIE DU SYSTÈME DE CONTRÔLE ET TOUTE COMMANDE QUI ONT ÉTÉ PLONGÉS DANS L'EAU.

W385-0460 / E

LIGHTING INSTRUCTIONS / INSTRUCTIONS D'ALLUMAGE

1. **STOP!** READ ALL INFORMATION OF OPERATING AND LIGHTING INSTRUCTIONS BEFORE PROCEEDING.
2. TURN OFF ELECTRICAL POWER TO THE APPLIANCE.
3. THIS APPLIANCE IS EQUIPPED WITH AN IGNITION DEVICE WHICH AUTOMATICALLY LIGHTS THE PILOT. DO NOT TRY TO LIGHT THE PILOT BY HAND.
4. OPEN THE GLASS DOOR.
5. TURN MANUAL SHUTOFF VALVE CLOCKWISE TO OFF.
6. WAIT FIVE (5) MINUTES TO CLEAR OUT ANY GAS. IF YOU SMELL GAS, INCLUDING NEAR THE FLOOR, **STOP!** FOLLOW "B" OF THE OPERATING INSTRUCTIONS. IF YOU DON'T SMELL GAS, GO TO THE NEXT STEP.
7. TURN MANUAL SHUTOFF VALVE COUNTER-CLOCKWISE TO ON.
8. CLOSE THE GLASS DOOR.
9. TURN ON ALL ELECTRICAL POWER TO THE APPLIANCE.
10. TURN ON MAIN BURNER.

ELECTRODE
FLAME SENSOR

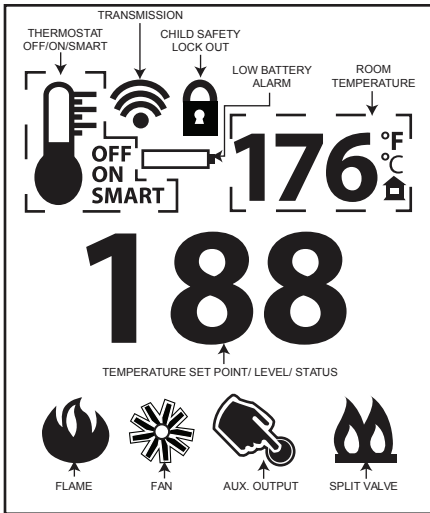
1. **ARRÊTEZ!** LISEZ TOUTES LES INSTRUCTIONS DE FONCTIONNEMENT ET D'ALLUMAGE AVANT DE CONTINUER.
2. COUPEZ L'ALIMENTATION ÉLECTRIQUE À L'APPAREIL.
3. CET APPAREIL EST MUNI D'UN DISPOSITIF D'ALLUMAGE QUI ALLUME LA VEILLEUSE AUTOMATIQUÉMENT, N'ESSAYEZ PAS D'ALLUMER LA VEILLEUSE MANUELLEMENT.
4. OUVREZ LA PORTE VITRÉE.
5. TOURNEZ LA SOUPEAU DE SECTIONNEMENT MANUELLE VERS LA DROITE À « OFF ».
6. ATTENDEZ CINQ (5) MINUTES POUR QUE LE GAZ PUISSE S'ÉCHAPPER. SI VOUS DÉTECTEZ UNE ODEUR DE GAZ, **ARRÊTEZ!** SUIVEZ « B » DANS LES INSTRUCTIONS DE FONCTIONNEMENT. S'IL N'Y A PAS D'ODEUR DE GAZ, PASSEZ À L'ÉTAPE SUIVANTE.
7. TOURNEZ LA SOUPEAU DE SECTIONNEMENT MANUELLE VERS LA GAUCHE À « ON ».
8. FERMEZ LA PORTE VITRÉE.
9. RÉTABLISSEZ L'ALIMENTATION ÉLECTRIQUE AU FOYER.
10. ALLUMEZ LE BRÛLEUR PRINCIPAL.

TO TURN OFF GAS / INSTRUCTIONS POUR COUPER LE GAZ

1. TURN OFF ALL ELECTRICAL POWER TO THE APPLIANCE IF SERVICE IS TO BE PERFORMED.
2. TURN MANUAL SHUTOFF VALVE CLOCKWISE TO OFF. DO NOT FORCE.
1. COUPEZ L'ALIMENTATION ÉLECTRIQUE AU FOYER SI UN TRAVAIL D'ENTRETIEN DOIT SE FAIRE.
2. TOURNEZ LA SOUPEAU D'ARRÊT MANUELLE VERS LA DROITE À « OFF ». NE FORCEZ PAS.

W385-0460 / E

6.2 GENERAL TRANSMITTER LAYOUT



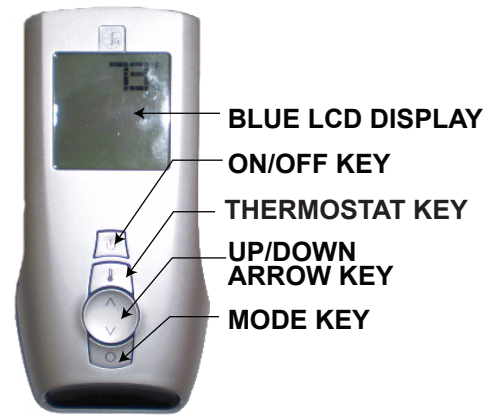
6.3 APPLIANCE OPERATION

- A. Install 4 AA batteries into the receiver battery bay as indicated on the battery cover (+/-). (Only required as back up to household electricity). While there is a provision to connect a 6V battery pack (do not use a 9 volt battery), it must not be used when using the remote control receiver.
- B. Place the 3 position slider switch of the receiver in the “Remote” position.
- C. Using the end of a paper clip, or other similar object, insert the end of the paper clip into the hole marked “PRG” on the receiver front cover. The receiver will “beep” three (3) times to indicate that it is ready to synchronize with the transmitter.
- D. Install the 3 AAA batteries in the transmitter battery bay, located on the base of the transmitter. With the batteries already installed in the transmitter, push the “ON” button. The receiver will “beep” four times to indicate the transmitter’s command is accepted and set to the particular code of that transmitter. The system is now initialized.

35.3

6.4 HAND HELD REMOTE OPERATIONS

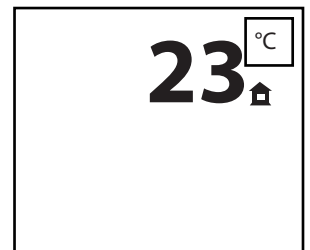
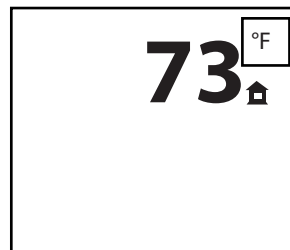
- A. Press the ON/OFF key on the transmitter. The transmitter display will show all active icons on the screen. A single “beep” from the receiver will confirm reception of the command.



35.4

6.5 TEMPERATURE DISPLAY

- A. With the system in the “OFF” position, press the Thermostat Key and the Mode Key at the same time to change from degrees F to C.
- B. Look at the LCD screen on the Transmitter to verify that a C or F is visible to the right of the Room Temperature display.

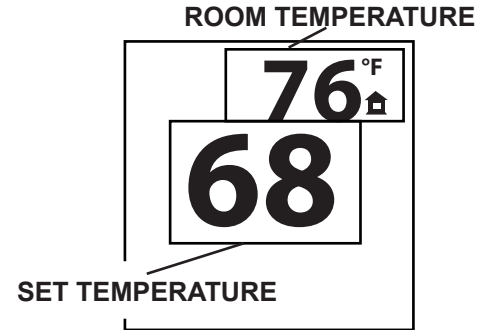


35.5

6.6 ROOM THERMOSTAT

The remote transmitter can operate as a room thermostat. The thermostat can be set to a desired temperature to control the comfort level in the room.

- Press the Thermostat Key. The LCD display on the Transmitter will show that the room is "ON" and the set temperature is now displayed.
- To adjust the set temperature, press the Up/Down Arrow Keys until the desired set temperature is displayed on the LCD screen of the Transmitter.

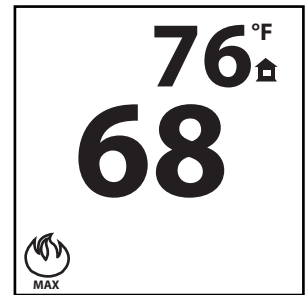


35.6

6.7 SMART THERMOSTAT

The Smart Thermostat function adjusts the flame height according to the difference between the set temperature and the actual room temperatures. As the room temperature gets closer to the set point the Smart Function will automatically adjust the flame down.

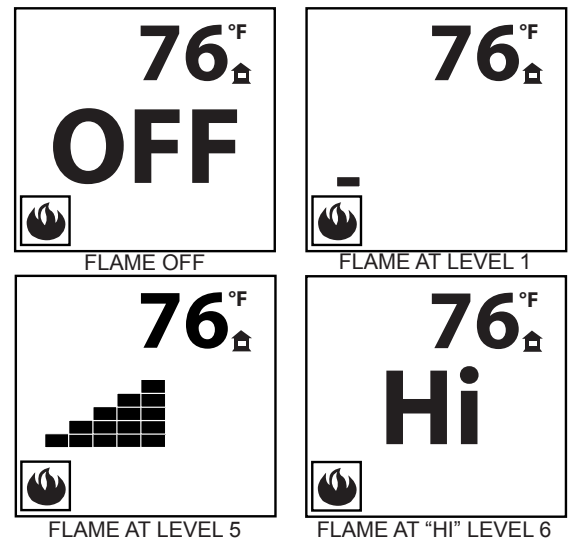
- Press the thermostat key until the word "SMART" appears to the right of the temperature bulb graphic.
- To adjust the set temperature, press the Up/Down arrow keys until the desired set temperature is displayed on the LCD screen at the Transmitter.



35.7

6.8 FLAME HEIGHT

The remote control has six (6) flame levels. With the system on and the flame level at the maximum, press the Down Arrow Key once and it will reduce the flame height by one step until the flame is turned off. The Up Arrow Key will increase the flame height each time it is pressed. If the Up Arrow Key is pressed while the system is on but the flame is off, the flame will come on the high position. A single "beep" will confirm reception of the command.

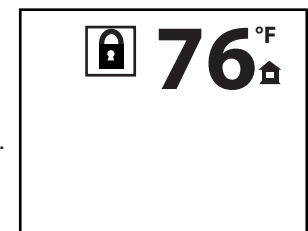


35.8A

6.9 CHILD PROOF FUNCTION

This function will lock the keys to avoid unsupervised operation.

- Press the MODE and UP keys at the same time.
- To de-activate this function, press the MODE and UP keys at the same time.

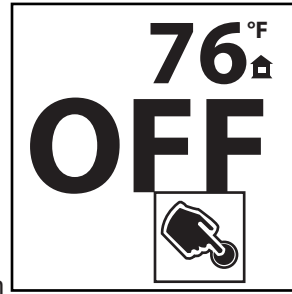


35.10

6.10 NIGHT LIGHT

The auxiliary function controls the AUX power outlet on the Control Module which controls the NIGHT LIGHT™.

- Use the Mode Key to guide you to the AUX icon.
- Pressing the Up Arrow Key will activate the NIGHT LIGHT™.
- Pressing the Down Arrow Key will turn the NIGHT LIGHT™ off. A single “beep” will confirm the reception of the command.



35.12

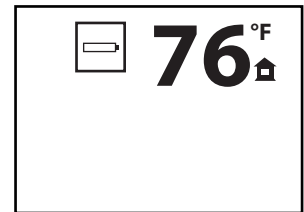
6.11 LOW BATTERY / MANUAL BYPASS

The life span of the remote batteries depends on various factors: quality of the batteries, the number of ignitions, etc.

When the transmitter batteries are low, a battery icon will appear on the LCD display before all battery power is lost. When the batteries are replaced, this icon will disappear.

When the receiver batteries are low, no “beep” will be emitted from the receiver when it receives an ON/OFF command. This is an alert for the receiver that there’s low battery. When the batteries are replaced, the “beep” will be emitted from the receiver when the ON/OFF key is pressed.

If the batteries of the receiver or transmitter are low, the appliance can be turned on manually by sliding the three position slider switch on the receiver to the “ON” position. This will bypass the remote control feature and the appliance main burner will come on if the gas valve is in the “ON” position.



35.13A

6.12 IN THE EVENT OF A POWER FAILURE

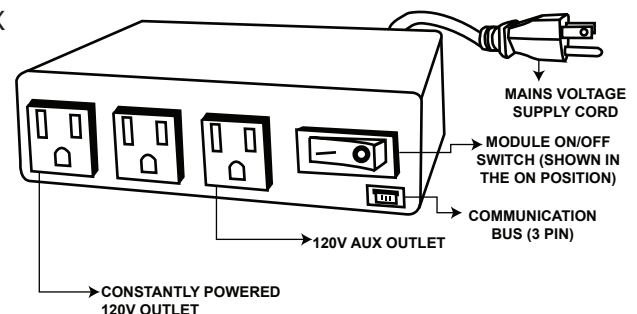
If the receiver is equipped with batteries they will enable flame height control, ON/OFF or thermostat function to control the fireplace during a power failure. Refer to “APPLIANCE OPERATION” section when communications between receiver and transmitter have been lost. The will receiver emit a “beep” sound to confirm programming has been successful once power is restored. During a power failure, if the fireplace was on, the flame height will stay at the setting prior to the failure. If off when the failure occurs and then turned on, the flame height will come on at “HI”. The flame height can then be controlled by the remote.

35.14

6.13 CONTROL MODULE

The control module offers a remotely actuated 120V AUX outlet for the accent lights and a constantly powered 120V outlet.

NOTE: Control module ON/OFF switch should always be in the “ON” position. If for any reason the module is turned “OFF”, the components plugged into the module won’t have power.

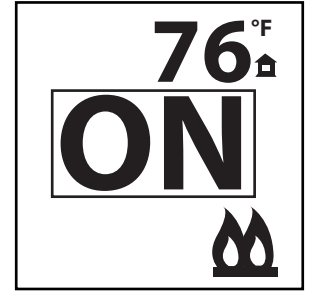
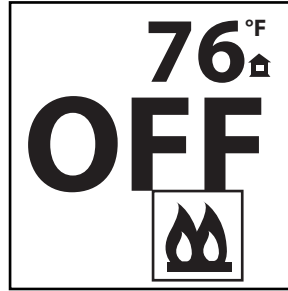


35.16

6.14 SPLIT FLOW VALVE

The split flow function controls the ability to turn ON/OFF a second burner.

- A. Use the mode key to guide you to the split flow function.
- B. Pressing the up arrow key will activate the second burner.
- C. Pressing the down arrow key will deactivate the second burner. A single “beep” will confirm the reception of the command.

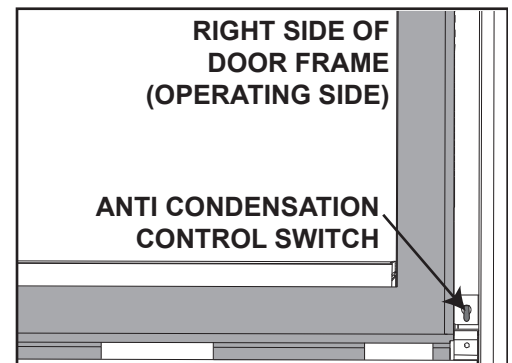


NOTE: There is no way to modulate the flame heights separately.

35.17

6.15 ANTI CONDENSATION CONTROL SWITCH

This appliance has the option to go from an electronic intermittent pilot ignition to a standing pilot for cold climates.



6.16 TIMED BLOWER

Your remote system may have a built in timer (in thermostat mode) that enables the blower (if equipped) to cycle on and off automatically when the burner turns on and off. With the remote control fan speed preset at the preferred speed, the blower will come on approximately 5 minutes after the main burner comes on and will shut off approximately 12 minutes after the burner shuts off.

This time delay is designed to maximize the blower distribution of heated air.

If at any time the burner re-ignites before the twelve minutes are over, the fan will continue to run.

NOTE: At any time in the sequence, the blower (if equipped) can be manually turned on/off using the remote control.

35.19B

7.0 ADJUSTMENTS

7.1 PILOT BURNER ADJUSTMENT

Adjust the pilot screw to provide properly sized flame. Turn in a clockwise direction to reduce the gas flow.

Check Pressure Readings:

Inlet pressure can be checked by turning screw (A) counter-clockwise 2 or 3 turns and then placing pressure gauge tubing over the test point. Gauge should read as described on the chart below. Check pressure with main burner operating on "HI".

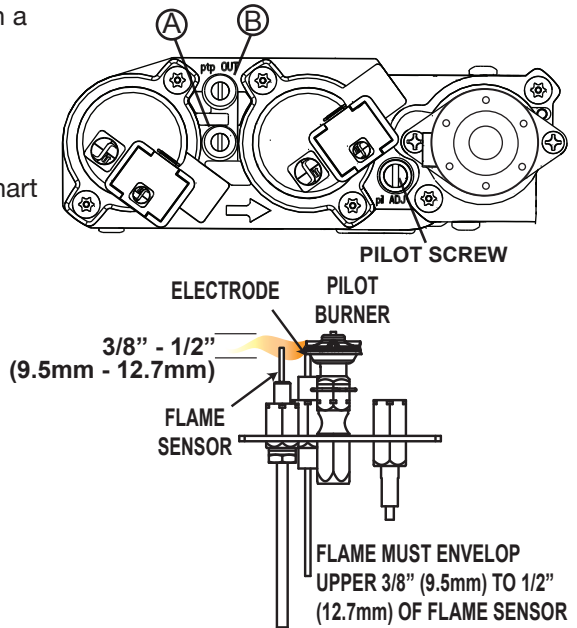
Outlet pressure can be checked the same as above using screw (B). Gauge should read as described on the chart below. Check pressure with main burner operating on "HI".

AFTER TAKING PRESSURE READINGS, BE SURE TO TURN SCREWS CLOCKWISE FIRMLY TO RESEAL. DO NOT OVERTORQUE.

Leak test with a soap and water solution.

Prior to pilot adjustment, ensure that the pilot assembly has not been painted. If overspray or painting of the pilot assembly has occurred remove the paint from the pilot

assembly, or replace. Fine emery cloth or a synthetic scrub pad (such as Scotch-Brite™) can be used to remove the paint from the pilot hood, electrode and flame sensor.



Pressure	Natural Gas (inches)	Natural Gas (millibars)	Propane (inches)	Propane (millibars)
Inlet	*7" (MIN. 4.5")	17.4mb (MIN. 11.2mb)	13" (MIN. 11")	32.4mb (MIN. 27.4mb)
Outlet	3.5"	8.7mb	10"	24.9mb

*Maximum inlet pressure not to exceed 13".

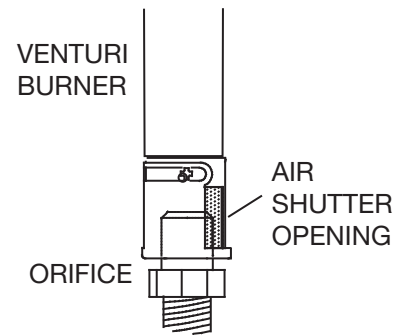
39.1E

7.2 VENTURI ADJUSTMENT

This appliance has an air shutter that has been factory set open according to the chart below:

Regardless of venturi orientation, closing the air shutter will cause a more yellow flame, but can lead to carbonization. Opening the air shutter will cause a more blue flame, but can cause flame lifting from the burner ports. The flame may not appear yellow immediately; allow 15 to 30 minutes for the final flame colour to be established.

AIR SHUTTER ADJUSTMENT MUST ONLY BE DONE BY A QUALIFIED INSTALLER!

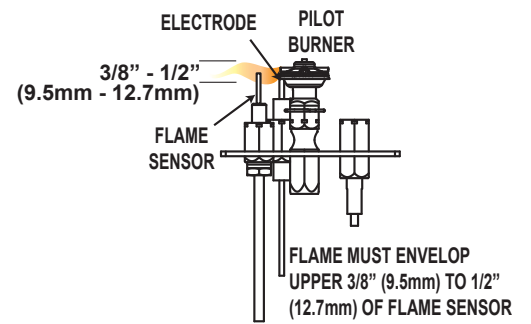
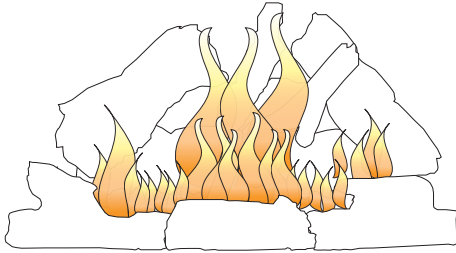


49.1

XIR4-1	FRONT	REAR
NG	1/4" (3.4mm)	1/8" (3.2mm)
P	5/8" (16mm)	1/4" (3.4mm)


7.3 FLAME CHARACTERISTICS

It is important to periodically perform a visual check of the pilot and burner flames. Compare them to the illustration provided. If any flames appear abnormal, call a service person.



54.1B

8.0 MAINTENANCE

 WARNING
TURN OFF THE GAS AND ELECTRICAL POWER BEFORE SERVICING THE APPLIANCE.
APPLIANCE MAY BE HOT, DO NOT SERVICE UNTIL APPLIANCE HAS COOLED.
DO NOT USE ABRASIVE CLEANERS.
DO NOT PAINT THE PILOT ASSEMBLY.

This appliance and its venting system should be inspected before use and at least annually by a qualified service person. The following suggested checks should be performed by a qualified technician. The appliance area must be kept clear and free of combustible materials, gasoline or other flammable vapors and liquids. The flow of combustion and ventilation air must not be obstructed.

CAUTION: Label all wires prior to disconnection when servicing controls. Wiring errors can cause improper and dangerous operation. Verify proper operation after servicing.

- A. In order to properly clean the burner and pilot assembly, remove the logs, rocks and/or glass to expose both assemblies.
- B. Keep the control compartment, media, burner, air shutter opening and the area surrounding the logs clean by vacuuming or brushing, at least once a year.
- C. Check to see that all burner ports are burning. Clean out any of the ports which may not be burning or are not burning properly.
- D. Check to see that the pilot flame is large enough to engulf the flame sensor and/or thermocouple / thermopile as well as reaches the burner.
- E. Replace the cleaned logs, rocks or glass. Failure to properly position the media may cause carbon which can be distributed inside of firebox and on exterior surfaces surrounding vent termination.
- F. Check to see that the main burner ignites completely on all openings when turned on. A 5 to 10 second total light-up period is satisfactory. Service as required.
- G. Check that the gasketing on the sides, top and bottom of the door is not broken or missing. Replace if necessary.
- H. If for any reason the vent air intake system is disassembled, re-install and re-seal per the instructions provided for the initial installation.
- I. Cleaning the safety barrier may be necessary due to excessive lint / dust from carpeting, pets, etc. simply vacuum using the brush attachment.
- J. Ensure the relief system performs effectively. Check that the gasket is not worn or damaged. Replace if necessary.

40.1E

8.1 ANNUAL MAINTENANCE

WARNING

THE FIREBOX BECOMES VERY HOT DURING OPERATION. LET THE APPLIANCE COOL COMPLETELY OR WEAR HEAT RESISTANT GLOVES BEFORE CONDUCTING SERVICE.

NEVER VACUUM HOT EMBERS.

DO NOT PAINT THE PILOT ASSEMBLY.

- This appliance will require maintenance which should be planned on an annual basis.
- Service should include cleaning, battery replacement, venting inspection and inspection of the burner, media and firebox. Refer to the door removal section and remove the door as instructed.
- Carefully remove media if necessary (logs, glass, brick panels etc).
- Using a vacuum with a soft brush attachment, gently remove any dirt, debris or carbon build up from the logs, firebox and burner. For glass media, follow the installation instructions for pre-cleaning.
- Also gently remove any build-up on the pilot assembly including, if equipped; thermopile, thermocouple, flame sensor and igniter. **NOTE: Clean flame sensor using a fine emery cloth or a synthetic scrub pad (such as Scotch-Brite™) to remove any oxides. Clean the pilot assembly using a vacuum with a soft brush attachment. It is important that the pilot assembly is not painted.**
- Inspect all accessible gaskets and replace as required.
- Access the blower, if equipped and clean using a soft brush and vacuum.
- Re-assemble the various components in reverse order.
- Inspect the relief system. The appliance relieves through the main glass door or through the flaps on the firebox top. Ensure they open freely, and close sealed.
- Check the gas control valve pilot and Hi / Lo knobs move freely (if equipped) – replace if any stiffness in movement is experienced.
- Check for gas leaks on all gas connections up and downstream from the gas valve including the pilot tube connections.

37.1E

8.2 CARE OF GLASS

DO NOT CLEAN GLASS WHEN HOT! DO NOT USE ABRASIVE CLEANERS TO CLEAN GLASS.

Buff lightly with a clean dry soft cloth. Clean both sides of the glass after the first 10 hours of operation with a recommended fireplace glass cleaner. Do not use an ammonia-based fireplace glass cleaner. Thereafter clean as required. If the glass is not kept clean permanent discoloration and / or blemishes may result.



5.1A

This appliance is factory equipped with 5mm ceramic glass. Use only replacement parts as supplied by the appliance manufacturer. **DO NOT SUBSTITUTE MATERIALS.**

5.5.1A


8.3 CARE OF PLATED PARTS

If the appliance is equipped with plated parts, you must clean fingerprints or other marks from the plated surfaces before operating the appliance for the first time. Use a glass cleaner or vinegar and towel to clean. If not cleaned properly before operating for the first time, the marks can cause permanent blemishes on the plating. After the plating is cured, the fingerprints and oils will not affect the finish and little maintenance is required, just wipe clean as needed. Prolonged high temperature burning with the door ajar may cause discolouration on plated parts.

NOTE: The protective wrap on plated parts is best removed when the assembly is at room temperature but this can be improved if the assembly is warmed, using a hair dryer or similar heat source.

6.1

8.4 DOOR GLASS REPLACEMENT

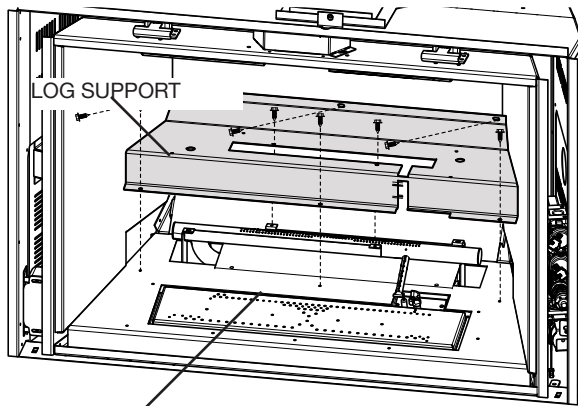
 WARNING
DO NOT USE SUBSTITUTE MATERIALS.
GLASS MAY BE HOT, DO NOT TOUCH GLASS UNTIL COOLED.
CARE MUST BE TAKEN WHEN REMOVING AND DISPOSING OF ANY BROKEN DOOR GLASS OR DAMAGED COMPONENTS. BE SURE TO VACUUM UP ANY BROKEN GLASS FROM INSIDE THE APPLIANCE BEFORE OPERATION.
DO NOT STRIKE, SLAM OR SCRATCH GLASS. DO NOT OPERATE APPLIANCE WITH GLASS REMOVED, CRACKED, BROKEN OR SCRATCHED.

Replacement glass/frame assembly shall be replaced as a complete unit as supplied by the appliance manufacturer.

56.1C

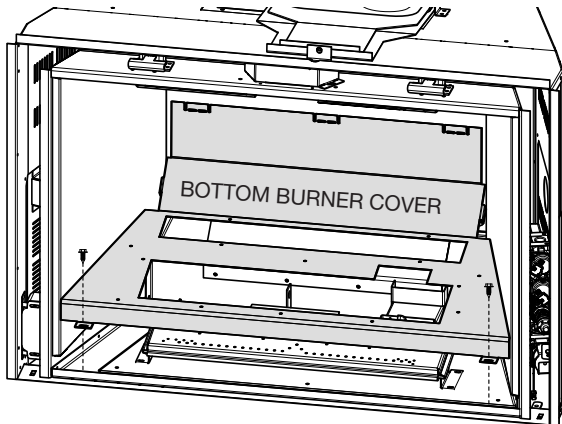
8.5 BURNER REMOVAL

- A. Remove the glass door, see "DOOR REMOVAL AND INSTALLATION" section. Remove the logs, see "FINISHING" section.

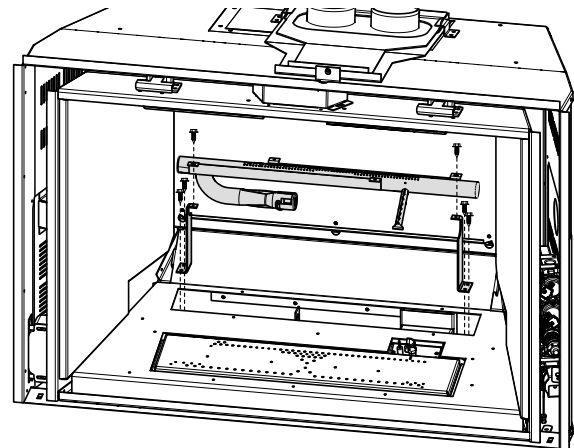


COVER PLATE

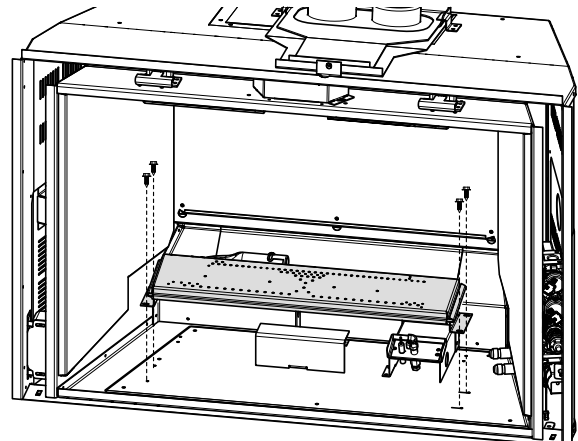
- B. Remove the 8 screws that secure the log support in place. Lift the support up and out. Remove the 4 screws securing the cover plate in place.



- D. Remove the 2 screws that secure the bottom burner cover in place and slide it out from behind the rear manifold, then lift it up and out of the appliance



- C. Remove the 2 screws that secure the tube burner in place and lift the burner up and out. Then remove the two burner brackets, by removing the 4 screws.



- E. Remove the 4 screws holding the pan burner in place and then lift it up and out of the appliance.

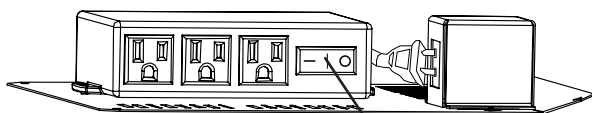
8.6 FCM REPLACEMENT

! WARNING

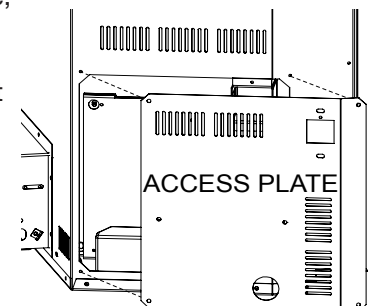
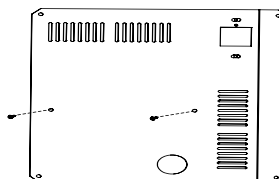
TURN OFF THE GAS AND ELECTRICAL POWER BEFORE SERVICING THE APPLIANCE.

THE APPLIANCE MAY BE HOT. DO NOT SERVICE APPLIANCE UNTIL IT HAS COOLED.

- A. To access the fan control module, you must first pull out the appliance, allowing enough room to access the left access plate.
- B. Remove the screws holding the access plate in position.
- C. Unplug the fan control module from the junction box. Unplug the night light plug and blower plug (if applicable) from the fan control module.
- D. Remove the 2 screws securing the fan control to the access plate and replace. **NOTE:** Ensure ON/OFF switch is in the "ON" (-) position.
- E. Reinstall the plugs and access plate



ON/OFF SWITCH



8.7 NIGHT LIGHT™ REPLACEMENT

Your appliance comes equipped with our "Night Light™". The light has been pre-wired and is controlled from the remote control.

If the lamp or lens needs to be replaced, follow the instructions below.

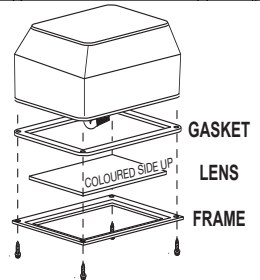
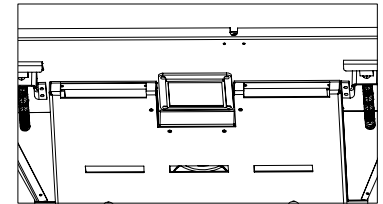
- A. Unplug the fan control module from the junction box located behind the left access panel.
- B. Remove the four screws that secure the lens frame. This frame retains the glass lens. The lamp can now be accessed.

NOTE: Do not handle the lamp (bulb) with bare fingers, protect with a clean dry cloth.

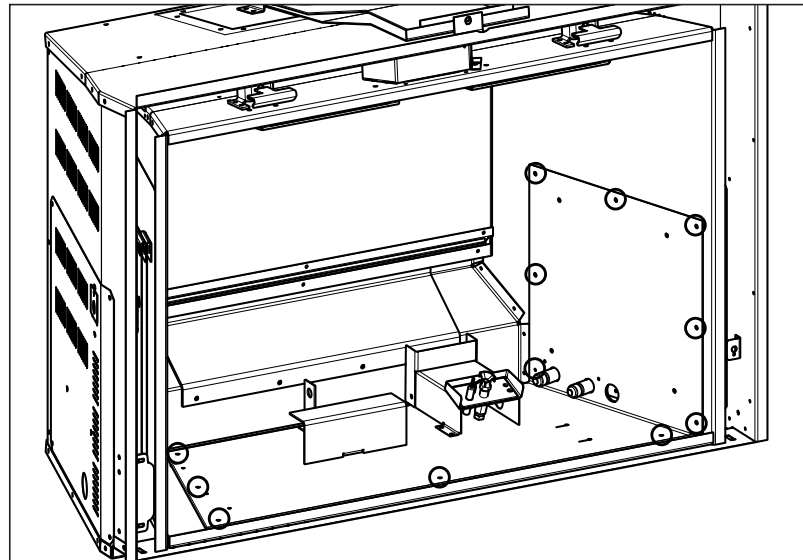
The lamp will pull straight out of the socket. Replace with Wolf Steel parts only, as lamp and lens are special "high temperature" products. When re-installing, ensure integrity of gasket seal.

THE FIREBOX MUST BE SEALED.

Over-tightening the screws could break the lens. "Light Leakage" from the upper area may be observed. The holes in the lamp housing are necessary for ventilation and must not be covered.



8.8 VALVE TRAIN REPLACEMENT



- A. Remove the glass door. See "DOOR REMOVAL AND INSTALLATION" section. Remove the burners, see "BURNER REMOVAL" section.
- B. Remove the 14 screws holding the valve train in place.
NOTE: A new gasket may be required when reinstalling the valve train assembly. Contact your local authorized dealer/distributor.
- C. Carefully lift the valve train assembly out far enough to access the manual shut off valve and turn to the off position. Disconnect the flex connector from the valve. You may now lift the valve train out of the appliance.

9.0 REPLACEMENTS

WARNING

FAILURE TO POSITION THE PARTS IN ACCORDANCE WITH THIS MANUAL OR FAILURE TO USE ONLY PARTS SPECIFICALLY APPROVED WITH THIS APPLIANCE MAY RESULT IN PROPERTY DAMAGE OR PERSONAL INJURY.

Contact your dealer for questions concerning prices and policies on replacement parts. Normally, all parts can be ordered through your Authorized dealer / distributor.

FOR WARRANTY REPLACEMENT PARTS, A PHOTOCOPY OF THE ORIGINAL INVOICE WILL BE REQUIRED TO HONOUR THE CLAIM.

When ordering replacement parts always give the following information:

- Model & Serial Number of appliance
- Installation date of appliance
- Part number
- Description of part
- Finish

PARTS, PART NUMBERS AND AVAILABILITY ARE SUBJECT TO CHANGE WITHOUT NOTICE.

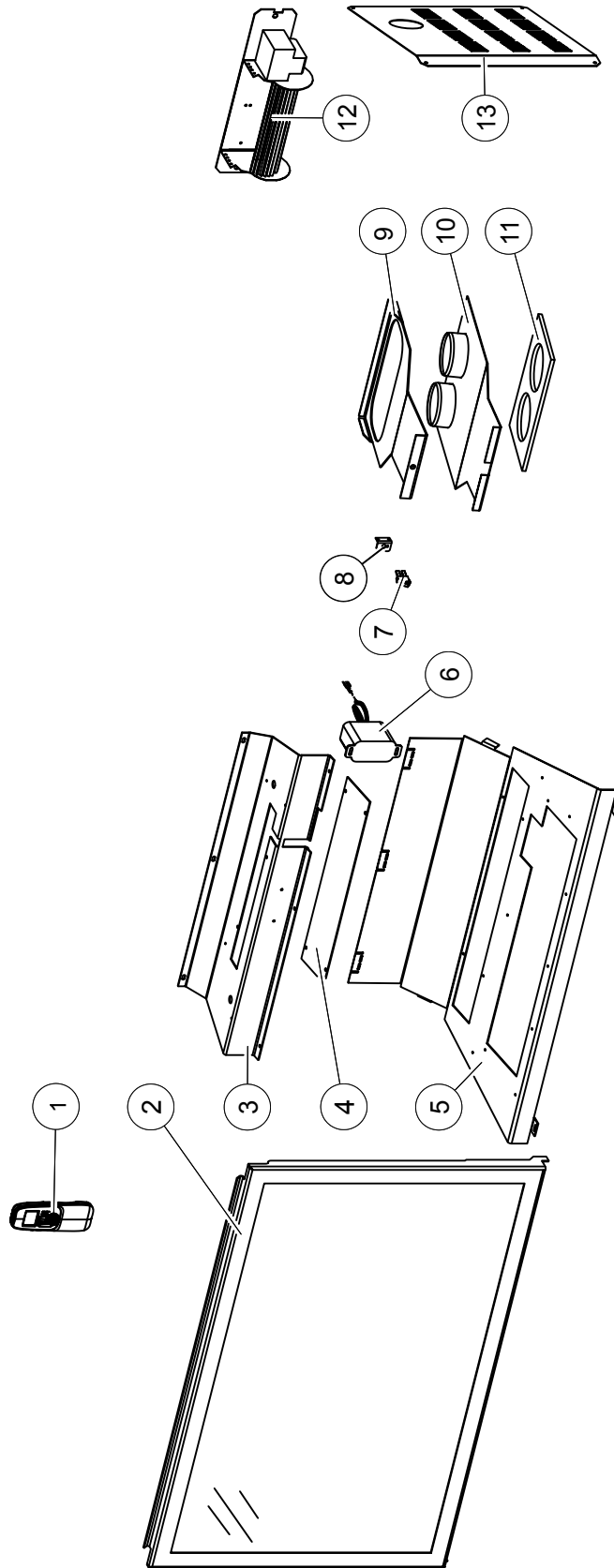
PARTS IDENTIFIED AS STOCKED WILL BE DELIVERED WITHIN 2 TO 5 BUSINESS DAYS FOR MOST DELIVERY DESTINATIONS.

PARTS NOT IDENTIFIED AS STOCKED WILL BE DELIVERED WITHIN A 2 TO 4 WEEK PERIOD, FOR MOST CASES.

PARTS IDENTIFIED AS 'SO' ARE SPECIAL ORDER AND CAN TAKE UP TO 90 DAYS FOR DELIVERY.

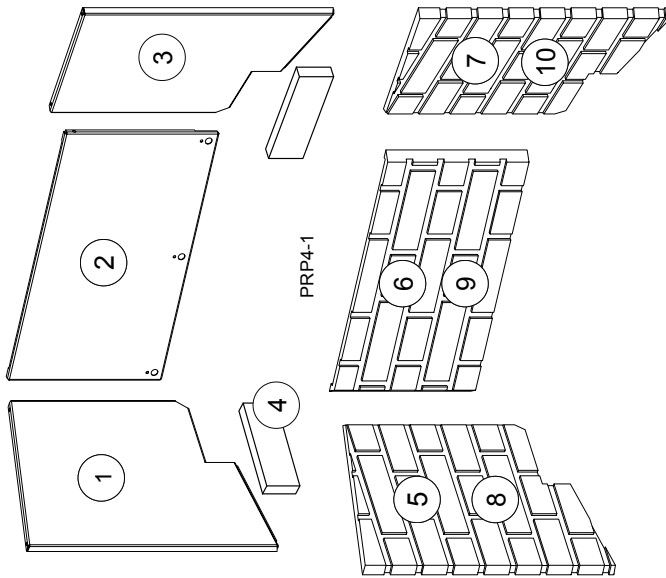
41.1C

9.1 OVERVIEW

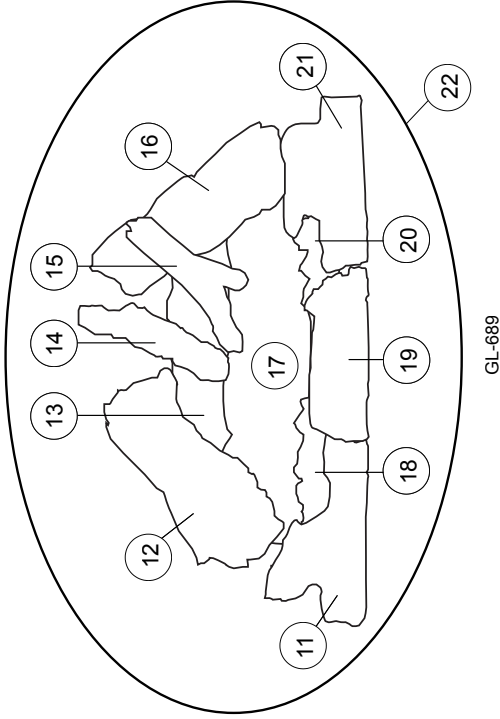


ITEMS MAY NOT APPEAR EXACTLY AS ILLUSTRATED

REF. NO.	PART NUMBER	DESCRIPTION	STOCKED	REF. NO.	PART NUMBER	DESCRIPTION	STOCKED
1	W660-0074	HAND HELD REMOTE CONTROL	YES	8	W080-1222	SWITCH BRACKET	
2	W010-2633-SER	DOOR ASSEMBLY	YES	9	W010-2704	VENT SLIDE ASSEMBLY	
3	W655-0467-SER	REAR LOG SUPPORT		10	W010-2695	COLLAR ASSEMBLY	YES
4	W500-0672-SER	COVER PLATE	YES	11	W290-0183	VENT CONNECTION GASKET	YES
5	W200-0425-SER	BOTTOM BURNER COVER		12	GZ552	REPLACEMENT BLOWER	
6	W660-0104	RECEIVER	YES	13	W500-0622	OUTER ACCESS PLATE	
7	W750-0191	ACS SWITCH					



GI84-1 / GI86-1

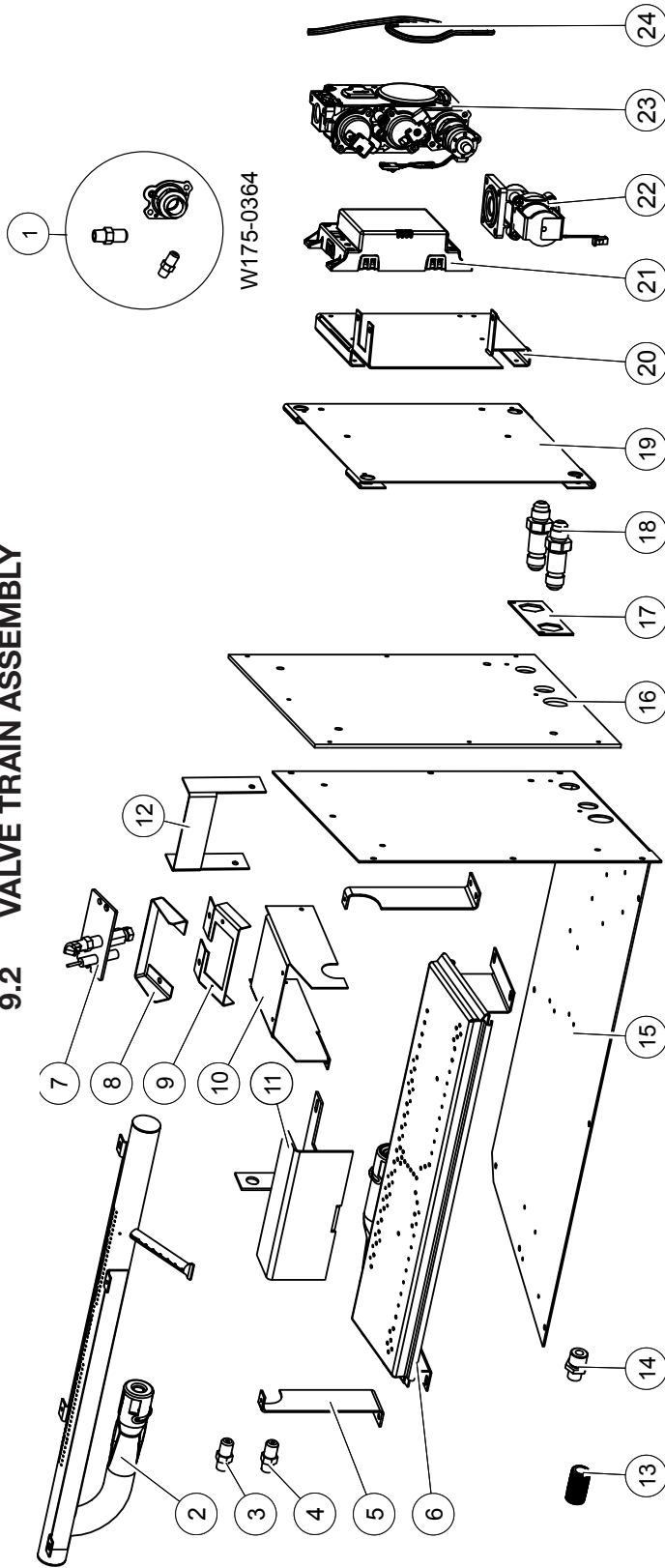


GL-689

ITEMS MAY NOT APPEAR EXACTLY AS ILLUSTRATED

REF. NO.	PART NUMBER	DESCRIPTION	STOCKED
1	W500-0721-BK2GL	LEFT SIDE PORCELAIN PANEL	YES
2	W500-0722-BK2GL	REAR PORCELAIN PANEL	YES
3	W500-0723-BK2GL	RIGHT SIDE PORCELAIN PANEL	YES
4	W500-0670	CERAMIC SIDE PANEL (X2)	YES
5	W475-0875	NEWPORT LEFT SIDE BRICK PANEL	YES
6	W475-0877	NEWPORT REAR BRICK PANEL	YES
7	W475-0876	NEWPORT RIGHT SIDE BRICK PANEL	YES
8	W475-0880	OLD ENGLISH LEFT SIDE BRICK PANEL	YES
9	W475-0878	OLD ENGLISH REAR BRICK PANEL	YES
10	W475-0879	OLD ENGLISH RIGHT SIDE BRICK PANEL	YES
11	W135-0478	LEFT CHARCOAL STRIP LOG	YES
12	W135-0480	LEFT CROSSOVER LOG	YES
13	W135-0541	REAR LOG	YES
14	W135-0481	TOP MIDDLE CROSSOVER LOG	YES
15	W135-0467	RIGHT CROSSOVER LOG	YES
16	W135-0479	RIGHT CROSSOVER LOG	YES
17	W135-0473	MIDDLE LOG	YES
18	W135-0475	FRONT LEFT LOG	YES
19	W135-0477	MIDDLE CHARCOAL STRIP LOG	YES
20	W135-0474	FRONT RIGHT LOG	YES
21	W135-0476	RIGHT CHARCOAL STRIP LOG	YES
22	GL-689	LOG SET	YES
23	GI84-1	DECORATIVE NEWPORT BRICK PANEL KIT	
24	GI86-1	DECORATIVE OLD ENGLISH BRICK PANEL KIT	
25	PRP4-1	PORCELAIN REFLECTIVE RADIANT PANEL KIT	

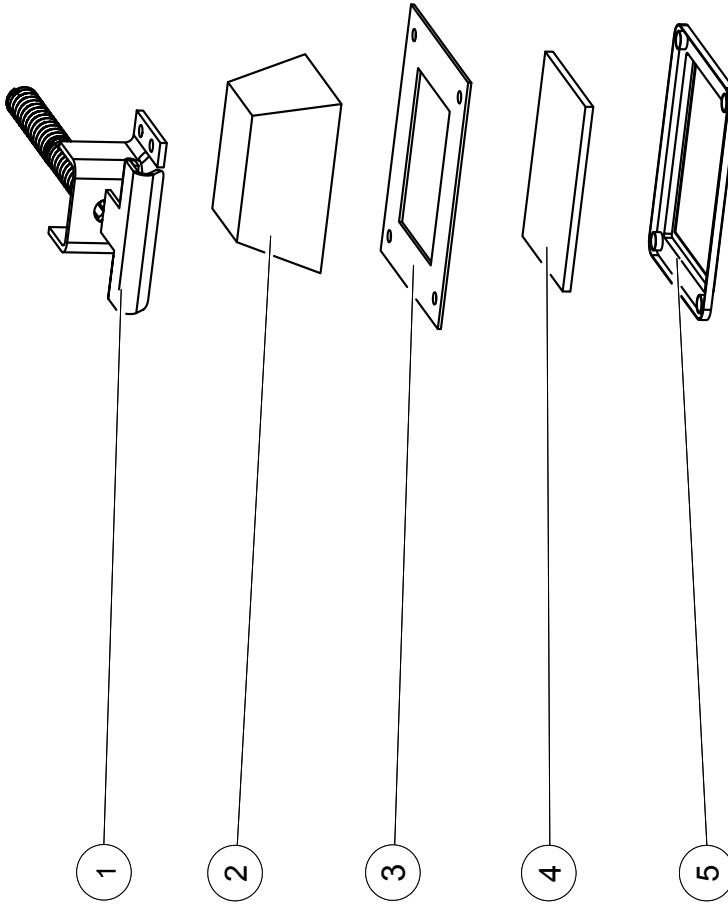
9.2 VALVE TRAIN ASSEMBLY



ITEMS MAY NOT APPEAR EXACTLY AS ILLUSTRATED

REF. NO.	PART NUMBER	DESCRIPTION	STOCKED	REF. NO.	PART NUMBER	DESCRIPTION	STOCKED
1	W175-0364	P CONVERSION KIT		14	W255-0002	3/8" TUBE TO 1/8" NPT PIPE	
2	W010-2792-SER	TUBE BURNER ASSEMBLY	YES	15	W710-0051	BURNER TRAY	
3	W456-0046	REAR BURNER ORIFICE		16	W290-0190	BURNER TRAY GASKET	
4	W456-0040	FRONT BURNER ORIFICE	YES	17	W500-0609	SECURING PLATE	
5	W080-1200	BURNER SUPPORT BRACKET (X2)		18	N255-0002-SER	BULKHEAD FITTINGS (X2)	YES
6	W100-0154-SER	PAN BURNER ASSEMBLY	YES	19	W585-0749	HEAT SHIELD	
7	W010-3024	PILOT ASSEMBLY	YES	20	W080-1186	VALVE BRACKET	
8	W585-0795	PILOT SHIELD		21	W190-0104	CONTROL BOARD	YES
9	W080-1316	PILOT BRACKET		22	W725-0058	SOLENOID VALVE	YES
10	W350-0690	PILOT HOUSING		23	W725-0056	ELECTRIC VALVE	YES
11	W080-1310	ORIFICE BRACKET		24	W010-1985	WIRE HARNESS ASSEMBLY	YES
12	W150-0073	PILOT AIR CHANNEL					
13	W445-0022	3/8" x 2" NPT NIPPLE					

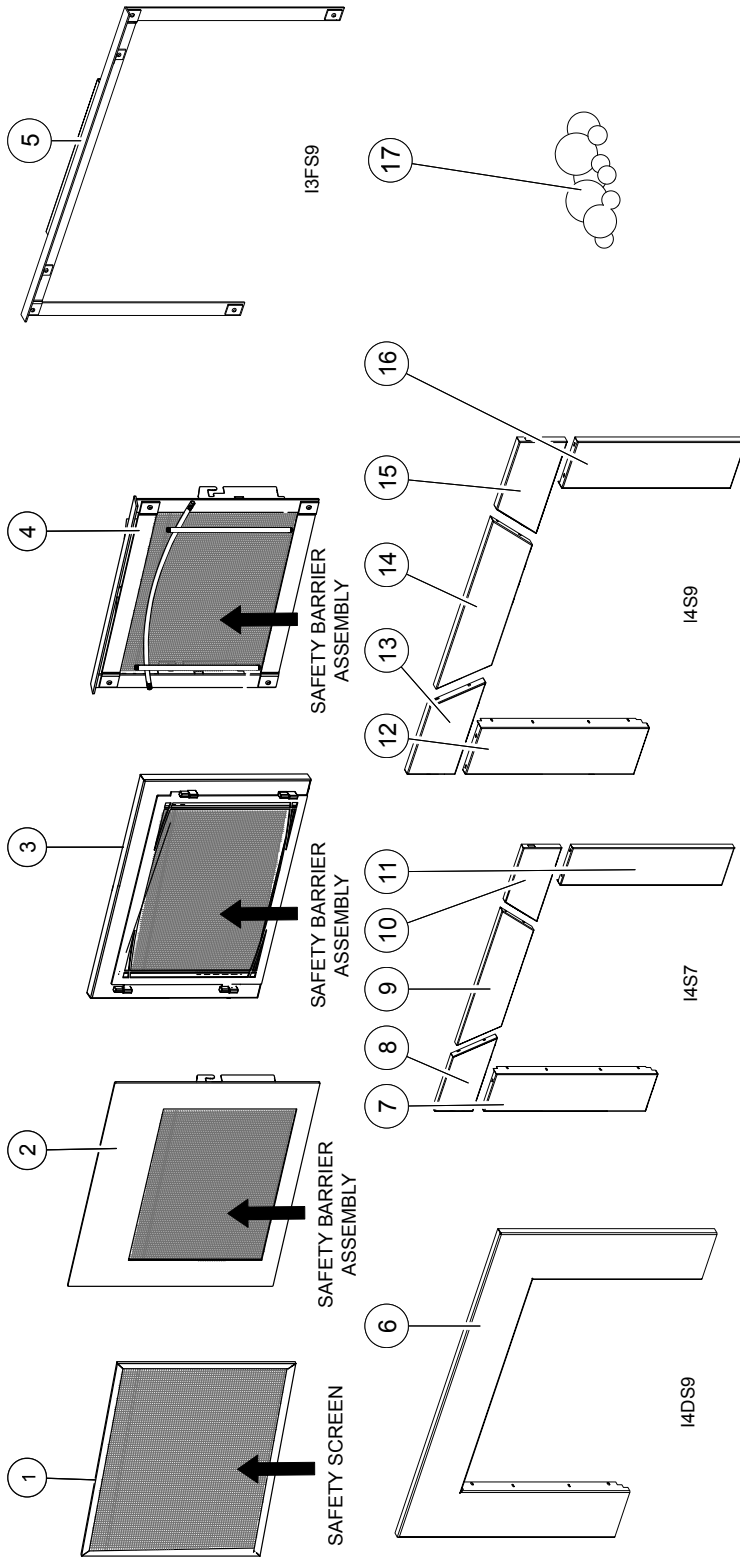
9.3 FIREBOX TOP ASSEMBLY



ITEMS MAY NOT APPEAR EXACTLY AS ILLUSTRATED

REF. NO.	PART NUMBER	DESCRIPTION	STOCKED
1	W010-3684	DOOR LATCHES (X2)	
2	N402-0001	HIGH TEMP LIGHT ASSEMBLY	YES
3	W290-0080	COVER PLATE GASKET	YES
4	W300-0067	CERAMIC GLASS LENS	YES
5	W500-0288	LENS COVER PLATE	

10.0 ACCESSORIES



ITEMS MAY NOT APPEAR EXACTLY AS ILLUSTRATED

REF. NO.	PART NUMBER	DESCRIPTION	STOCKED
1	W565-0134-SER	SAFETY SCREEN	YES
2	I4CRFSB (K/SS)	CONTEMPORARY RECTANGULAR FRONT	YES
3	I4DZSB (MK/WI)	MODERN ZEN FRONT	
4	I4DPSSB	PREMIUM SCALLOPED ARTISAN FRONT	
5	I3FS9	LARGE PREMIUM SCALLOPED FRAME	
6	W715-0895	LARGE DELUXE SURROUND (I4DS9)	
7	W263-0202	BOTTOM LEFT SIDE FLASHING (I4S7)	
8	W263-0166	TOP LEFT SIDE FLASHING (I4S7)	
9	W263-0167	CENTER FLASHING (I4S7)	
10	W263-0165	TOP RIGHT SIDE FLASHING (I4S7)	
11	W263-0202	BOTTOM RIGHT SIDE FLASHING (I4S7)	
12	W263-0201	BOTTOM LEFT SIDE FLASHING (I4S9)	
REF. NO.	PART NUMBER	DESCRIPTION	STOCKED
13	W263-0130	TOP LEFT SIDE FLASHING (I4S9)	
14	W263-0129	CENTER FLASHING (I4S9)	
15	W263-0128	TOP RIGHT SIDE FLASHING (I4S9)	
16	W263-0201	BOTTOM RIGHT SIDE FLASHING (I4S9)	
17	MKRY4	RIVER ROCK MEDIA KIT	

11.0 TROUBLESHOOTING

EN

! WARNING

ALWAYS LIGHT THE PILOT WHETHER FOR THE FIRST TIME OR IF THE GAS SUPPLY HAS RUN OUT, WITH THE GLASS DOOR OPEN OR REMOVED.

TURN OFF THE GAS AND ELECTRICAL POWER BEFORE SERVICING THE APPLIANCE.

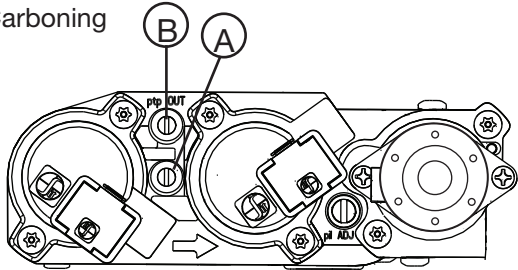
APPLIANCE MAY BE HOT, DO NOT SERVICE UNTIL APPLIANCE HAS COOLED.

DO NOT USE ABRASIVE CLEANERS.

SYMPTOM	PROBLEM	TEST SOLUTION
Remote controls Crystalite / Night light but no spark or flame.	Remote is locked out.	- Reset by turning power source off then on. NOTE: If back up batteries are installed, they must also be removed to re-program.
Main burner flame is a blue, lazy, transparent flame.	Blockage in vent.	- Remove blockage. In really cold conditions, ice buildup may occur on the terminal and should be removed as required. To minimize this from happening again, it is recommended that the vent lengths that pass through unheated spaces (attics, garages, crawl spaces) be wrapped with an insulated mylar sleeve. Prevent sleeve from sagging. Contact your local authorized dealer for more information.
	Incorrect installation.	- Refer to "VENTING" section to ensure correct installation.

Flames are consistently too large or too small. Carboning occurs.

Appliance is over-fired or underfired.



Check pressure readings:
Inlet pressure can be checked by turning screw (A) counter-clockwise 2 or 3 turns and then placing pressure gauge tubing over the test point. Gauge should read as described on the chart below. Check that main burner is operating on 'HI'. Outlet pressure can be checked the same as above using screw (B). Gauge should read as described on the chart below. Check that main burner is operating on 'HI'.
AFTER TAKING PRESSURE READINGS, BE SURE TO TURN SCREWS CLOCKWISE FIRMLY TO RESEAL. DO NOT OVER TORQUE.
Leak test with a soap and water solution.

*Maximum inlet pressure not to exceed 13"

Pressure	Natural Gas (inches)	Natural Gas (millibars)	Propane (inches)	Propane (millibars)
Inlet	*7" (MIN. 4.5")	17.4mb (MIN. 11.2mb)	13" (MIN. 11")	32.4mb (MIN. 27.4mb)
Outlet	3.5"	8.7mb	10"	24.9mb

Carbon is being deposited on glass, logs, rocks, media or combustion chamber surfaces.	Air shutter has become blocked.	- Ensure air shutter opening is free of lint or other obstructions.
	Flame is impinging on the glass, logs, rocks, media or combustion chamber.	- Check that the glass, logs, rocks, media are correctly positioned. - Open air shutter to increase the primary air. - Check the input rate: check the manifold pressure and orifice size as specified by the rating plate. - Check that the door gasketing is not broken or missing and that the seal is tight. - Check that both vent liners are free of holes and well sealed at all joints. - Check that minimum rise per foot (meters) has been adhered to for any horizontal venting.

White / grey film forms.	Sulphur from fuel is being deposited on glass, logs or combustion chamber surfaces.	<ul style="list-style-type: none"> - Clean the glass with a recommended gas fireplace glass cleaner. DO NOT CLEAN GLASS WHEN HOT. - If deposits are not cleaned off regularly, the glass may become permanently marked.
--------------------------	-------------------------------------------------------------------------------------	-------------------------------------------------------------------------------------------------------------------------------------------------------------------------------------------------------------------------------------------------

42.1D

SYMPTOM	PROBLEM	TEST SOLUTION
Exhaust fumes smelled in room, headaches.	Appliance is spilling.	<ul style="list-style-type: none"> - Check door seal. - Check for exhaust damage. - Check that venting is installed correctly. - Room is in negative pressure; increase fresh air supply.
Pilot will not light. Makes noise with no spark at pilot burner.	Wiring.	<ul style="list-style-type: none"> - Verify the wire for the sensor and the wire for the ignitor are connected to the correct terminals (not reverse) on the module and pilot assembly.
	Loose connection.	<ul style="list-style-type: none"> - Verify no loose connections, electrical shorts in the wiring or ground out to any metal object.
	Igniter Spark gap is incorrect.	<ul style="list-style-type: none"> - Spark gap of the ignitor to the pilot should be .125" (3.2mm).
Pilot will not light. Makes no noise with no spark at pilot burner. Crystalites™ and (optional) blower operates.	A shorted or loose connection.	<ul style="list-style-type: none"> - Remove and reinstall the wiring harness that plugs into the module. - Remove and verify continuity of each wire in the wiring harness.
	Module is not grounded.	<ul style="list-style-type: none"> - Verify the valve and pilot assemblies are properly grounded to the metal chassis of the fireplace.
	DFC board has been locked out.	<p>Choose one of the 4 methods below to reset the system.</p> <ol style="list-style-type: none"> 1. To reset DFC board when locked out. Turn off power supply and remove batteries (if used) from the back up battery pack. 2. To reset the DFC Board when the board goes into a lock out condition and the LED is blinking 3 times using the transmitter ON/OFF button: <ul style="list-style-type: none"> Step 1: Turn the system off by pressing the ON/OFF button to turn the system off. Step 2: After approximately 2 seconds press the ON/OFF button on the transmitter again. THE DFC Board will reset and the ignition sequence will start again. 3. To reset the DFC Board when the board goes into a lock out condition and the LED is blinking 3 times by cycling flame: <ul style="list-style-type: none"> Step 1: In the manual flame control mode, use the down arrow button to reduce the flame to off, indicated by the word OFF displayed on the transmitter LCD screen. Step 2: Wait approximately 2 seconds and press the up arrow button, the ignition sequence will start.

NOTE: Starting from OFF, press the ON button on the transmitter. Approximately 4 seconds after the ON/OFF button is pressed the DFC board will start the spark. The first try for ignition will last approximately 60 seconds. If there is no flame ignition (rectification) the board will stop sparking for approximately 35 seconds. After the wait time the board will start the second try for ignition by sparking for approximately 60 seconds. If there is still no positive ignition, the board will go into lock out.

42.1_2A

SYMPTOM	PROBLEM	TEST SOLUTION
Pilot sparks but will not light.	Gas supply.	<ul style="list-style-type: none"> - Verify that the incoming gas line ball valve is “Open”. - Verify that the inlet pressure reading is within acceptable limits, inlet pressures must not exceed 13” W.C. (34.9mb).
	Module is not grounded.	<ul style="list-style-type: none"> - Verify the value and pilot assemblies are properly grounded to the metal chassis of the fireplace.
	Out of propane gas.	<ul style="list-style-type: none"> - Fill the tank.
Continues to spark and pilot lights, but main burner will not light.	Short or loose connection in sensor rod.	Verify all connections. Verify the connections from the pilot assembly are tight; also verify these connections are not grounding out to any metal.
	Poor flame rectification or contaminated sensor rod.	<ul style="list-style-type: none"> - Verify the flame is engulfing the sensor rod. This will increase the flame rectification. Verify correct pilot orifice is installed and inlet gas specifications to manual. (Remember, the flame carries the rectification current, not the gas. If the flame lifts from pilot hood, the circuit is broken. A wrong orifice or too high of an inlet pressure can cause the pilot flame to lift.) The sensor rod may need cleaning.
	Poor grounding between pilot assembly and gas valve.	<ul style="list-style-type: none"> - Verify that the wire harness is firmly connected to module.
	Damaged pilot or dirty sensor rod.	<ul style="list-style-type: none"> - Verify that the ceramic insulator around the sensor rod is not cracked, damaged, or loose. Verify the connection from the sensor rod to the sensor wire. Clean sensor rod with a green Scotch-Brite pad to remove any contamination that may have accumulated on the sensor rod. Verify continuity with multimeter with ohms set at the lowest range.
	Pilot has been painted	<ul style="list-style-type: none"> - Using a scrub pad, remove the paint from the pilot hood, ignitor and flame sensor.
Appliance won't perform any functions.	Receiver switch is in the wrong position.	<ul style="list-style-type: none"> - Verify that the 3 position switch on the receiver is in the “REMOTE” position (middle).
	No power to the system.	<ul style="list-style-type: none"> - Check breaker to verify it's in the “ON” position.
	Transmitter isn't operational.	<ul style="list-style-type: none"> - Check battery power and battery orientation.
Night light or (optional) blower won't function	Control module switch is in the wrong position.	<ul style="list-style-type: none"> - Verify ON/OFF switch is in the “I” position which denotes on.
	COM switch is unplugged.	<ul style="list-style-type: none"> - Verify “COM” switch is plugged into the front of the control module.

12.0 WARRANTY

NAPOLEON products are manufactured under the strict Standard of the world recognized ISO 9001 : 2008 Quality Assurance Certificate.

NAPOLEON products are designed with superior components and materials assembled by trained craftsmen who take great pride in their work. The burner and valve assembly are leak and test-fired at a quality test station. The complete appliance is again thoroughly inspected by a qualified technician before packaging to ensure that you, the customer, receives the quality product that you expect from NAPOLEON.

NAPOLEON GAS APPLIANCE PRESIDENT'S LIFETIME LIMITED WARRANTY

The following materials and workmanship in your new NAPOLEON gas appliance are warranted against defects for as long as you own the appliance. This covers: combustion chamber, heat exchanger, stainless steel burner, Phazer™ logs and embers, rocks, ceramic glass (thermal breakage only), gold plated parts against tarnishing, porcelainized enameled components and aluminum extrusion trims.*

Electrical (110V and millivolt) components and wearable parts are covered and NAPOLEON will provide replacement parts free of charge during the first year of the limited warranty. This covers: blowers, gas valves, thermal switches, switches, wiring, remote controls, ignitors, gaskets and pilot assemblies.*

Labour related to warranty repair is covered free of charge during the first year. Repair work, however, requires the prior approval of an authorized company official. Labour costs to the account of NAPOLEON are based on a predetermined rate schedule and any repair work must be done through an authorized NAPOLEON dealer.

* Construction of models vary. Warranty applies only to components included with your specific appliance.

CONDITIONS AND LIMITATIONS

NAPOLEON warrants its products against manufacturing defects to the original purchaser only. Registering your warranty is not necessary. Simply provide your proof of purchase along with the model and serial number to make a warranty claim. NAPOLEON reserves the right to have its representative inspect any product or part thereof prior to honouring any warranty claim. Provided that the purchase was made through an authorized NAPOLEON dealer your appliance is subject to the following conditions and limitations:

Warranty coverage begins on the date of original installation.

This factory warranty is non-transferable and may not be extended whatsoever by any of our representatives.

The gas appliance must be installed by a licensed, authorized service technician or contractor. Installation must be done in accordance with the installation instructions included with the product and all local and national building and fire codes.

This limited warranty does not cover damages caused by misuse, lack of maintenance, accident, alterations, abuse or neglect and parts installed from other manufacturers will nullify this warranty.

This limited warranty further does not cover any scratches, dents, corrosion or discoloring caused by excessive heat, abrasive and chemical cleaners nor chipping on porcelain enamel parts, mechanical breakage of PHAZER™ logs and embers.

This warranty extends to the repair or replacement of warranted parts which are defective in material or workmanship provided that the product has been operated in accordance with the operation instructions and under normal conditions.

After the first year, with respect to this President's Lifetime Limited Warranty, NAPOLEON may, at its discretion, fully discharge all obligations with respect to this warranty by refunding to the original warranted purchaser the wholesale price of any warranted but defective part(s).

NAPOLEON will not be responsible for installation, labour or any other expenses related to the reinstallation of a warranted part and such expenses are not covered by this warranty.

Notwithstanding any provisions contained in the President's Lifetime Limited Warranty, NAPOLEON'S responsibility under this warranty is defined as above and it shall not in any event extend to any incidental, consequential or indirect damages.

This warranty defines the obligations and liability of NAPOLEON with respect to the NAPOLEON gas appliance and any other warranties expressed or implied with respect to this product, its components or accessories are excluded.

NAPOLEON neither assumes, nor authorizes any third party to assume, on its behalf, any other liabilities with respect to the sale of this product.

NAPOLEON will not be responsible for: over-firing, downdrafts, spillage caused by environmental conditions such as rooftops, buildings, nearby trees, hills, mountains, inadequate vents or ventilation, excessive venting configurations, insufficient makeup air, or negative air pressures which may or may not be caused by mechanical systems such as exhaust fans, furnaces, clothes dryers, etc.

Any damages to the appliance, combustion chamber, heat exchanger, plated trim or other components due to water, weather damage, long periods of dampness, condensation, damaging chemicals or cleaners will not be the responsibility of NAPOLEON.

All parts replaced under the President's Limited Lifetime Warranty Policy are subject to a single claim.

During the first 10 years NAPOLEON will replace or repair the defective parts covered by the lifetime warranty at our discretion free of charge. From 10 years to life, NAPOLEON will provide replacement parts at 50% of the current retail price.

All parts replaced under the warranty will be covered for a period of 90 days from the date of their installation.

The manufacturer may require that defective parts or products be returned or that digital pictures be provided to support the claim. Returned products are to be shipped prepaid to the manufacturer for investigation. If a product is found to be defective, the manufacturer will repair or replace such defect.

Before shipping your appliance or defective components, your dealer must obtain an authorization number. Any merchandise shipped without authorization will be refused and returned to sender.

Shipping costs are not covered under this warranty.

Additional service fees may apply if you are seeking warranty service from a dealer.

Warranty labour allowance is only for the replacement of the warranted part. Travel, diagnostic tests, shipping and other related charges are not covered by this warranty.

ALL SPECIFICATIONS AND DESIGNS ARE SUBJECT TO CHANGE WITHOUT PRIOR NOTICE DUE TO ON-GOING PRODUCT IMPROVEMENTS. NAPOLEON IS A REGISTERED TRADEMARK OF WOLF STEEL LTD.

13.0 SERVICE HISTORY

Appliance Service History

This heater must be serviced annually depending on usage.

Date	Dealer Name	Service Technician Name	Service Performed	Special Concerns

14.0 NOTES

(This area contains horizontal lines for notes.)

Other Napoleon Products



Fireplace Inserts • Charcoal Grills • Gas Fireplaces • Waterfalls • Wood Stoves
Heating & Cooling • Electric Fireplaces • Outdoor Fireplaces • Gas Grills



24 Napoleon Road, Barrie, Ontario, Canada L4M 0G8
214 Bayview Drive, Barrie, Ontario, Canada L4N 4Y8
103 Miller Drive, Crittenden, Kentucky, USA 41030
7200 Trans Canada Highway, Montreal, Quebec, Canada H4T 1A3

Fireplaces / Heating & Cooling call: 705-721-1212 • Grills call: 705-726-4278
napoleonproducts.com

INSTALLATEUR : LAISSEZ CE MANUEL AVEC L'APPAREIL.
PROPRIÉTAIRE : CONSERVEZ CE MANUEL POUR CONSULTATION ULTÉRIEURE.
NE LAISSEZ PAS LES ENFANTS OU AUTRES INDIVIDUS À RISQUE SEULS À PROXIMITÉ DE L'APPAREIL.



INSTRUCTIONS D'INSTALLATION ET D'OPÉRATION

FR

CERTIFIÉ SELON LES NORMES NATIONALES CANADIENNES ET AMÉRICAINES: CSA 2.22 ET ANSI Z21.50 POUR LES APPAREILS À GAZ VENTILÉ.

XIR4-1N
GAZ NATUREL
XIR4-1P
PROPANE

POUR L'UTILISATION INTÉRIEURE SEULEMENT

CONSIGNES DE SÉCURITÉ

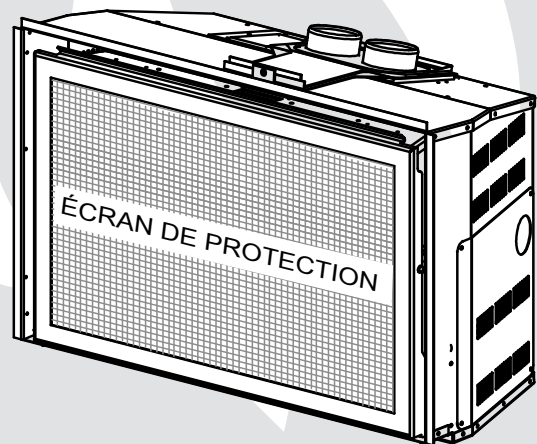
! AVERTISSEMENT

Si ces instructions ne sont pas suivies à la lettre, un incendie ou une explosion pourraient s'ensuivre, causant des dommages matériels, des blessures corporelles ou des pertes de vie.

- N'entreposez pas et n'utilisez pas d'essence ou autres liquides et vapeurs inflammables à proximité de cet appareil ou tout autre appareil.
- QUE FAIRE SI VOUS DÉTECTEZ UNE ODEUR DE GAZ :
 - N'allumez aucun appareil.
 - Ne touchez à aucun interrupteur électrique; n'utilisez aucun téléphone dans votre immeuble.
 - Appelez immédiatement votre fournisseur de gaz d'un téléphone voisin. Suivez ses instructions.
 - Si vous ne pouvez pas rejoindre votre fournisseur de gaz, appelez le service des incendies.
- L'installation et l'entretien doivent être faits par un installateur qualifié, une agence d'entretien ou le fournisseur.

Cet appareil peut être installé dans une maison préfabriquée (mobile) déjà installée à demeure si les règlements locaux le permettent.

Cet appareil doit être utilisé uniquement avec le type de gaz indiqué sur la plaque signalétique. Cet appareil ne peut être converti à d'autres gaz, sauf si une trousse de conversion est utilisée.



! AVERTISSEMENT

LA VITRE CHAUDE CAUSERA DES BRÛLURES.

NE PAS TOUCHER LA VITRE AVANT QU'ELLE AIT REFROIDI.

NE JAMAIS LAISSER LES ENFANTS TOUCHER LA VITRE.

Une barrière conçue à réduire le risque de brûlures causées par le verre chaud est fourni avec l'appareil et sera installé pour la protection des enfants et d'autres personnes à risque.

APPOSEZ L'ÉTIQUETTE DU NUMÉRO DE SÉRIE DU CARTON



ÉCRAN DE PROTECTION



Wolf Steel Ltd., 24 Napoleon Rd., Barrie, ON, L4M 0G8 Canada /
103 Miller Drive, Crittenden, Kentucky, USA, 41030

Téléphone 705-721-1212 • Télécopieur 705-720-9081 • www.napoleonfoyers.com • hearth@napoleonproducts.com

TABLE DE MATIÈRES



NOTE: L'icône du camera indique que les vidéos sont disponibles comme une référence supplémentaire, visitez <http://mynapoleon.napoleonproducts.com/download/index/44/1>

1.0	VUE D'ENSEMBLE DE L'INSTALLATION	47
2.0	INTRODUCTION	48
2.1	DIMENSIONS	49
2.2	DÉGAGEMENTS MINIMAUX AUX MATÉRIAUX COMBUSTIBLES	49
2.3	INSTRUCTIONS GÉNÉRALES	49
2.4	INFORMATION GÉNÉRALE	50
2.5	PLAQUE D'HOMOLOGATION	51
3.0	INSTALLATION	52
3.1	MISE À NIVEAU DE L'ENCASTRÉ	52
3.2	INSTALLATION DE LA CHEMINÉE	53
3.3	BRANCHEMENT DU GAZ	54
4.0	FINITIONS	55
4.1	DÉGAGEMENTS MINIMAUX DE LA TABLETTE	55
4.2	ENLÈVEMENT ET INSTALLATION DE L'ÉCRAN DE PROTECTION ET LA PORTE	56
4.3	MATÉRIAU DE FINITION INCOMBUSTIBLE	57
4.4	DISPOSITION DES BÛCHES	58
4.5	INSTALLATION DES PILES	59
4.6	BRAISES INCANDESCENTES	60
4.7	MISE EN PLACE DU LOGO	60
5.0	INFORMATION ÉLECTRIQUE	61
5.1	SCHÉMA DE CÂBLAGE	61
6.0	FONCTIONNEMENT	62
6.1	INSTRUCTIONS D'OPÉRATION ET D'ALLUMAGE	62
6.2	DESSIN GÉNÉRAL DE LA TÉLÉCOMMANDE	63
6.3	FONCTIONNEMENT DE L'APPAREIL	63
6.4	FONCTIONNEMENT DE LA TÉLÉCOMMANDE	63
6.5	AFFICHEUR DE TEMPÉRATURE	64
6.6	THERMOSTAT DE PIÈCE	64
6.7	THERMOSTAT SMART	64
6.8	HAUTEUR DE LA FLAMME	65
6.9	FONCTION DE SÉCURITÉ POUR ENFANTS	65
6.10	LUMIÈRE DE VEILLE	65
6.11	PILES FAIBLES / DÉRIVATION MANUELLE	66
6.12	EN CAS DE PANNE DE COURANT	66
6.13	MODULE DE CONTRÔLE	66
6.14	SOUPAPE À DÉBIT DIVISÉ	66
6.15	L'INTERRUPTEUR ANTICONDENSATION	67
6.16	MINUTERIE DE SOUFFLERIE	67
7.0	RÉGLAGES	68
7.1	RÉGLAGE DE LA VEILLEUSE	68
7.2	RÉGLAGE DU VENTURI	68
7.3	CARACTÉRISTIQUES DE LA FLAMME	68
8.0	ENTRETIEN	69
8.1	ENTRETIEN ANNUEL	70
8.2	SOINS DE LA VITRE	70
8.3	SOINS DES PIÈCES PLAQUÉES	71
8.4	REMPACEMENT DE LA VITRE DE PORTE	71
8.5	ENLÈVEMENT DU BRÛLEUR	72
8.6	REMPACEMENT DU MODULE SOUFFLEUR	72
8.7	REMPACEMENT DE LA LUMIÈRES DE VEILLE	73
8.8	REPLACEMENT DE L'ASSEMBLAGE DE LA SOUPAPE	73
9.0	RECHANGES	74
9.1	VUE D'ENSEMBLE	75
9.2	L'ASSEMBLAGE DE LA SOUPAPE	77
9.3	L'ASSEMBLAGE DU HAUT DE LA CHAMBRE DE COMBUSTION	78
10.0	ACCESSOIRES	79
11.0	GUIDE DE DÉPANNAGE	80
12.0	GARANTIE	83
13.0	HISTORIQUE D'ENTRETIEN	84
14.0	NOTES	85

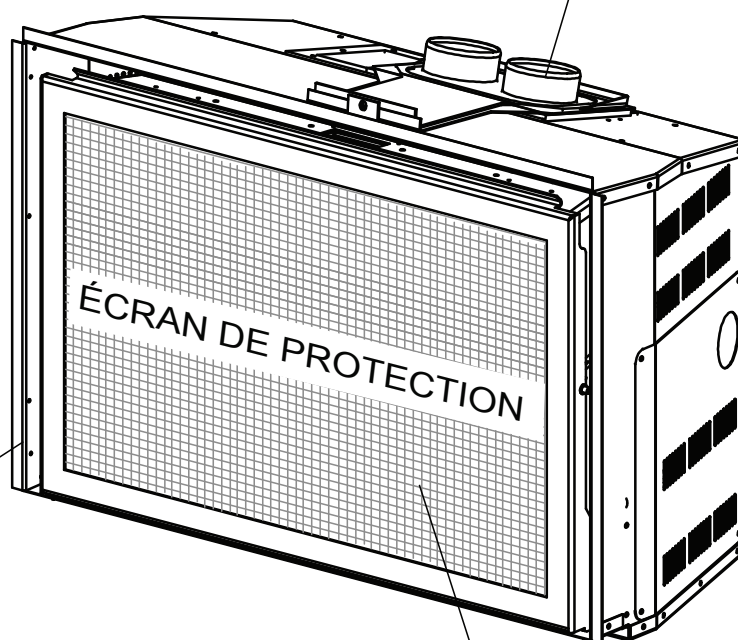
NOTE : Les changements autres que de nature éditoriale sont dénotés par une ligne verticale dans la marge.

1.0 VUE D'ENSEMBLE DE L'INSTALLATION

Évacuation, voir la section
« INSTALLATION - INSTALLATION
DE LA CHEMINÉE ».

FR

Plaque d'homologation,
voir la section
« INFORMATION SUR
LA PLAQUE
D'HOMOLOGATION ».



Bûches, voir la section
« FINITIONS - DISPOSITION
DES BÛCHES ».

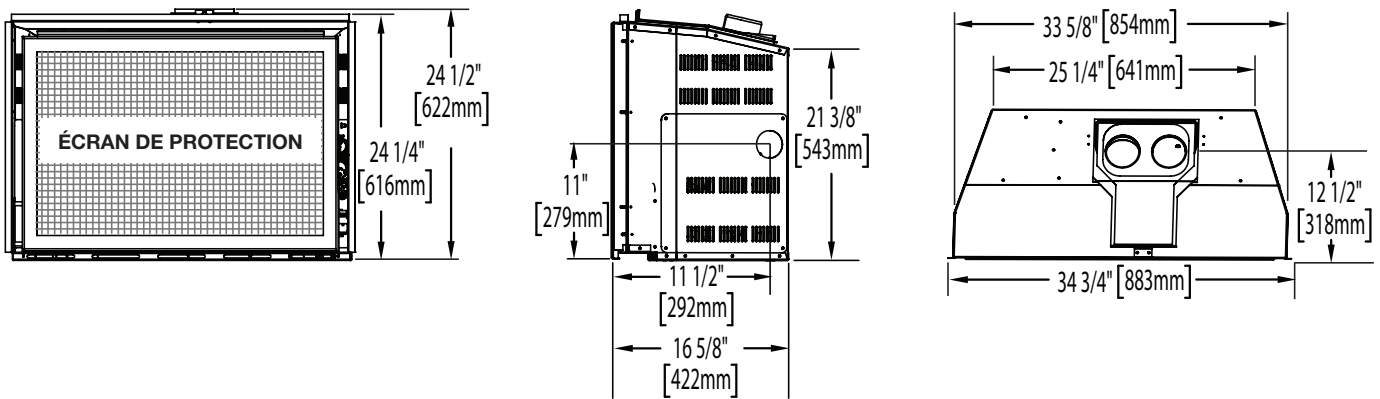


Les piles doivent être mises au rebut conformément aux lois et à la réglementation locales. Certaines piles peuvent être recyclées dans votre centre de recyclage local. Renseignez-vous auprès de votre municipalité au sujet des directives de recyclage.

! AVERTISSEMENT

- **CET APPAREIL EST CHAUD LORSQU'IL FONCTIONNE ET PEUT CAUSER DE GRAVES BRÛLURES EN CAS DE CONTACT.**
- **TOUTE MODIFICATION APPORTÉE À CET APPAREIL OU AUX CONTRÔLES PEUT ÊTRE DANGEREUX ET EST INTERDIT.**
- Ne faites pas fonctionner l'appareil avant d'avoir lu et compris les instructions d'opération. Omettre d'utiliser l'appareil selon les instructions d'opération pourrait causer un incendie ou des blessures.
- Risque d'incendie ou d'asphyxie. Ne faites pas fonctionner l'appareil avec la vitre retirée.
- Ne branchez pas la soupape à du courant 110 volts.
- Risque de brûlures. L'appareil doit être éteint et refroidi avant d'effectuer un entretien.
- N'installez pas de composants endommagés ou incomplets ni des composants substitués.
- Risque de coupures et d'éraflures. Portez des gants protecteurs et des lunettes de sécurité lors de l'installation. Les bordures des pièces de métal peuvent être coupantes.
- Ne brûlez pas de bois ou autres matériaux dans cet appareil.
- **Les enfants et les adultes devraient être informés des dangers que posent les températures de surface élevées et se tenir à distance afin d'éviter des brûlures ou que leurs vêtements ne s'enflamment.**
- **Les jeunes enfants doivent être surveillés attentivement lorsqu'ils sont dans la même pièce que l'appareil. Les jeunes enfants et autres personnes à risque sont sujets aux brûlures accidentelles. Une barrière de protection est recommandée si des individus à risque se trouvent dans la maison. Afin de restreindre l'accès à l'appareil, installez une barrière de protection ajustable pour garder les jeunes enfants ou autres personnes à risque hors de la pièce et loin des surfaces chaudes.**
- **Les vêtements et autres matériaux combustibles ne doivent pas être posés sur l'appareil ou à proximité.**
- **En raison des températures élevées, l'appareil devrait être placé loin des endroits passants et loin des meubles et des rideaux.**
- Assurez-vous de disposer de mesures de sécurité adéquates pour empêcher les jeunes enfants de toucher aux surfaces chaudes.
- Même une fois que l'appareil est éteint, la vitre et/ou le pare-étincelles demeureront chauds pendant un temps prolongé.
- Consultez votre détaillant local de foyer pour connaître les grillages de sécurité et les écrans offerts pour protéger les enfants des surfaces chaudes. Ces grillages de sécurité et ces écrans doivent être fixés au plancher.
- **Tout grillages de sécurité, écrans ou barrière enlevés pour faire l'entretien devront être remis en place avant d'utiliser l'appareil.**
- Cet appareil est un appareil à gaz ventilé. Ne brûlez pas de bois ou autres matériaux dans cet appareil.
- Il est primordial de garder propres les compartiments de contrôle, les brûleurs, la soufflerie, les bouches d'air de l'appareil ainsi que le système d'évacuation. L'appareil et son système d'évacuation doivent être inspectés avant la première utilisation et au moins une fois l'an par un spécialiste en entretien. Un entretien plus fréquent pourrait être nécessaire en raison des peluches provenant des tapis, literie, etc. L'emplacement de l'appareil doit être gardé libre de tous matériaux combustibles, essence ou autres liquides et vapeurs inflammables.
- Cet appareil ne devra être modifié en aucun cas.
- Cet appareil ne doit pas être raccordé au conduit d'une cheminée desservant un autre appareil de chauffage à combustible solide.
- N'utilisez pas cet appareil si une partie quelconque a été submergée. Contactez immédiatement un technicien de service qualifié pour inspecter l'appareil et pour remplacer toute pièce du système de contrôle et du contrôle du gaz qui aurait été submergée.
- Ne pas opérer l'appareil lorsque la porte vitrée est enlevée, fissurée ou brisée. Le remplacement de la vitre devra être effectué par un technicien de service certifié ou qualifié.
- Ne frappez pas et ne claquez pas la porte vitrée de l'appareil.
- Les portes d'évacuation de pression doivent demeurer fermées pendant le fonctionnement de l'appareil afin d'empêcher les gaz de combustion contenant du monoxyde de carbone de s'infiltrer dans la maison. La température des gaz de combustion s'échappant par ces ouvertures peut aussi causer les matériaux combustibles avoisinants à surchauffer et à prendre feu.
- **Seules les portes/façades certifiées pour cet appareil peuvent être utilisées avec cet appareil.**
- Gardez les matériaux d'emballage hors de la portée des enfants et mettez ces matériaux au rebut de façon sécuritaire. Comme tous les emballages de plastique, ces matériaux ne sont pas des jouets et doivent demeurer hors de la portée des enfants et des bébés.
- Comme dans le cas de tout appareil à combustion, il est recommandé de faire inspecter et entretenir votre appareil régulièrement. De même, installez un détecteur de monoxyde de carbone dans la pièce pour vous protéger, ainsi que votre famille, contre les intoxications.
- Assurez-vous de respecter les dégagements aux matériaux combustibles lorsque vous installez un manteau ou des tablettes au-dessus de l'appareil. Les températures élevées sur le mur ou de l'air au-dessus de l'appareil peuvent faire fondre, décolorer ou endommager les décorations, les téléviseurs ou autres composants électroniques.
- **Une barrière conçu à réduire le risque de brûlures causées par le verre chaud est fourni avec l'appareil et sera installé.**
- **Si la barrière est endommagée, elle devra être remplacée par la barrière conçu par le fabricant pour cet appareil.**
- **L'installation et la réparation devraient être effectuées par un technicien qualifié. L'appareil et son système d'évacuation devraient être inspectés avant l'utilisation initiale et au moins une fois l'an par un professionnel qualifié. Un nettoyage plus réquent peut être requis en raison de la poussière excessive laissée par les moquettes, les couvertures, etc. Il est impératif que les compartiments de contrôle, le brûleur et les passages de circulation d'air soient gardés propres afin de fournir une combustion et une circulation d'air adéquates.**

2.1 DIMENSIONS



2.2 DÉGAGEMENTS MINIMAUX AUX MATÉRIEAUX COMBUSTIBLES

Cet appareil ne doit être encastré que dans un foyer à bois ventilé incombustible (préfabriqué ou en maçonnerie). L'appareil dans lequel l'encastrement est installé doit avoir les dimensions minimales suivantes :

HAUTEUR 25" (63,5cm) LARGEUR 34.25" (87cm) PROFONDEUR 17" (43,2cm)

Le diamètre minimal du conduit de la cheminée doit être de 7" (178mm) rond.

*** Ajoutez 4" (102mm) pour la soufflerie optionnelle.**

La distance minimale entre le dessous d'une tablette décorative combustible qui ressort un maximum de 3" (76mm) et le haut de l'ouverture des persiennes est de 14" (35,6cm) (voir la section DÉGAGEMENTS MINIMAUX DE LA TABLETTE).

2.3 INSTRUCTIONS GÉNÉRALES

! AVERTISSEMENT
ALLUMEZ TOUJOURS LA VEILLEUSE, QUE CE SOIT POUR LA PREMIÈRE FOIS OU LORSQUE L'APPROVISIONNEMENT EN GAZ EST ÉPUISÉ, AVEC LA PORTE VITRÉE OUVERTE OU RETIRÉE.
PRÉVOYEZ UN ACCÈS SUFFISANT POUR ENTREtenir ET OPÉRER L'APPAREIL. ASSUREZ-VOUS D'UNE QUANTITÉ SUFFISANTE D'AIR DE VENTILATION.
N'OBSTRUEZ JAMAIS L'OUVERTURE DE L'APPAREIL.
LES OBJETS PLACÉS DEVANT L'APPAREIL DOIVENT ÊTRE GARDÉS À UNE DISTANCE D'AU MOINS 48" (1219.2mm) DE LA FACE VITRÉE DE L'APPAREIL.
LES SURFACES AUTOUR ET SURTOUT AU-DESSUS DE L'APPAREIL PEUVENT DEVENIR CHAUDES. NE TOUCHEZ PAS L'APPAREIL QUAND IL FONCTIONNE.
RISQUE D'INCENDIE OU D'EXPLOSION.
LES PRESSIONS ÉLEVÉES ENDOMMAGERONT LA SOUPAPE. L'ALIMENTATION EN GAZ DOIT ÊTRE DÉBRANCHÉE PENDANT LES ESSAIS DE PRESSION DE CE SYSTÈME LORSQUE LES PRESSIONS D'ESSAI EXCÈDENT 1/2 LB/PO² (3,5 KPA). FERMEZ LA SOUPAPE D'ARRÊT MANUELLE PENDANT TOUT ESSAI DE PRESSION DU SYSTÈME D'ALIMENTATION EN GAZ LORSQUE LA PRESSION EST DE 1/2 LB/PO² (3,5 mb) OU MOINS.
N'UTILISEZ QUE LES ACCESSOIRES OPTIONNELS ET LES PIÈCES DE RECHANGE APPROUVÉS PAR WOLF STEEL POUR CET APPAREIL. L'UTILISATION D'ACCESSOIRES NON LISTÉS (SOUFFLERIE, PORTES, PER-SIENNES, MOULURES, COMPOSANTS DE GAZ, COMPOSANTS D'ÉVACUATION, ETC.) POURRAIT ÊTRE NON SÉCURITAIRE ET ANNULERA LA GARANTIE ET LA CERTIFICATION..

CET APPAREIL AU GAZ DEVRAIT ÊTRE INSTALLÉ ET ENTRETENU PAR UN INSTALLATEUR QUALIFIÉ en se conformant aux codes locaux. Les pratiques d'installation peuvent varier d'une région à l'autre. Il est donc important de connaître les normes spécifiques qui s'appliquent à votre région. Par exemple dans l'état du Massachusetts:

- Ce produit doit être installé par un plombier certifié ou un installateur pour le gaz lorsque installé dans le Commonwealth du Massachusetts.
- Le registre de l'appareil doit être enlevé ou bloqué en le soudant en position ouverte avant d'installer un encastré ou un ensemble de bûches à gaz.
- La soupape d'arrêt doit être un robinet à gaz avec une poignée en T.

- Le raccord flexible ne doit pas mesurer plus que 36 pouces (914.4mm).
- Un détecteur de monoxyde de carbone est requis dans toutes les pièces contenant des appareils alimentés au gaz.
- L'appareil n'est pas approuvé pour installation dans une chambre à coucher ou une salle de bain à moins d'être un appareil avec une chambre de combustion scellée à évacuation directe.

L'installation doit se conformer aux codes locaux. En l'absence de codes locaux, l'installation doit être conforme au Code d'installation du gaz naturel et du propane CSA B149.1 au Canada ou au National Fuel Gas Code, ANSI Z223.1/ NFPA 54 aux États-Unis. Cet appareil convient pour installation dans une maison mobile si l'installation est conforme aux normes actuelles pour les maisons mobiles équipées au gaz CAN/CSA Z240 SÉRIE MM au Canada ou selon les normes ANSI Z223.1 et NFPA 54 aux États-Unis.

Certains appareils ont une soufflerie ou un ensemble de deux souffleries optionnel. Si la soufflerie ou l'ensemble de deux souffleries optionnel est installé, la boîte de dérivation doit être branchée au circuit électrique et mise à la terre conformément aux codes locaux. Utilisez la version courante du Code canadien de l'électricité CSA C22.1 au Canada ou le National Electrical Code ANSI/NFPA 70 aux États-Unis.

**NATIONAL
FIREPLACE
INSTITUTE**



CERTIFIED
www.nficertified.org

Nous suggérons que nos appareils au gaz soient installés et que l'entretien soit effectué par des professionnels certifiés par le National Fireplace Institute® (NFI) comme spécialiste du gaz NFI.

4.12A

2.4 INFORMATION GÉNÉRALE

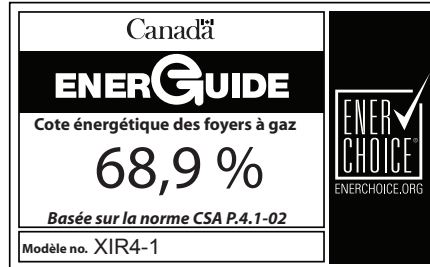
POUR VOTRE SATISFACTION, CE FOYER A ÉTÉ MIS À L'ESSAI POUR CONFIRMER SON FONCTIONNEMENT ET SA QUALITÉ!

XIR4-1		
	GN	P
Altitude (PI)	0-4 500	0-4 500
Débit maximum (BTU/HR)	40 000	40 000
Rend. max. (BTU/HR)	33 200	33 200
Efficacité (avec ventilateur en marche)	83%	83%
A.F.U.E. (valeur maximale)	79%	79%
Pression minimale d'alimentation en gaz	4,5" de colonne d'eau (11mb)	11" de colonne d'eau (27mb)
Pression maximale d'alimentation en gaz	13" de colonne d'eau (32mb)	13" de colonne d'eau (32mb)
Pression du collecteur (lorsque le gaz circule)	3,5" de colonne d'eau (9mb)	10" de colonne d'eau (25mb)

Lorsque l'appareil est installé à des élévations dépassant 4 500 pieds (1372m), et en l'absence de recommandations spécifiques de l'autorité compétente locale, l'indice certifié du débit à haute altitude devra être réduit au taux de 4 % pour chaque 1 000 pieds (305m) supplémentaires. Les bruits causés par l'expansion et la contraction lors des cycles de chauffage et de refroidissement sont tout à fait normaux et il faut s'y attendre.

Cet appareil n'est pas approuvé pour installation dans un placard ou en retrait. Il est approuvé pour installation dans les salles de bain, les chambres à coucher et les chambres studio et convient pour installation dans les maisons mobiles. Le modèle au gaz naturel ne peut être placé que dans une maison mobile installée en permanence et alimentée au gaz naturel.

Une barrière conçu à réduire le risque de brûlures à partir de la chaude la vitre est à condition que avec l'appareil et sera être installés.



2.5 PLAQUE D'HOMOLOGATION

<p>CERTIFIED UNDER / HOMOLOGUÉ SELON LES NORMES: CSA 2.22, ANSI Z21.50 FOR VENTED GAS FIREPLACES / FOYER À GAZ VENTILÉ</p> <p>DO NOT TURN ON IF CHILDREN OR OTHER AT RISK INDIVIDUALS ARE NEAR THE FIREPLACE. DIRECT VENT GAS FIREPLACE. SUITABLE FOR BEDROOM, BATHROOM AND BED-SITTING ROOM INSTALLATION. SUITABLE FOR MOBILE HOME INSTALLATION IF INSTALLED IN ACCORDANCE WITH THE CURRENT STANDARD CAN/CSA Z240MH SERIES GAS EQUIPPED MOBILE HOMES, IN CANADA OR IN THE UNITED STATES THE MANUFACTURED HOME CONSTRUCTION AND SAFETY STANDARD, TITLE 24 CFR, PART 3280. WHEN THIS US STANDARD IS NOT APPLICABLE USE THE STANDARD FOR FIRE SAFETY CRITERIA FOR MANUFACTURED HOME INSTALLATIONS, SITES AND COMMUNITIES, ANSI / NFPA 501A. FOR USE WITH BARRIER W565-0134. FOLLOW THE INSTALLATION INSTRUCTIONS LOCATED IN THE INSTALLATION MANUAL.</p>		<p>NE PAS ALLUMER SI DES ENFANTS OU D'AUTRES INDIVIDUS À RISQUE SONT À PROXIMITÉ DU FOYER. FOYER À GAZ VENTILÉ. HOMOLOGUÉ POUR INSTALLATION DANS UNE CHAMBRE À COUCHER, UNE SALLE DE BAIN ET UN STUDIO. APPROPRIÉ POUR INSTALLATION DANS UNE MAISON MOBILE SI SON INSTALLATION EST CONFORME AUX EXIGENCES DE LA NORME CAN/CSA Z240MH SÉRIE DE MAISONS MOBILES ÉQUIPÉES AU GAZ, EN VIGUEUR AU CANADA, OU AUX ÉTATS-UNIS, SELON LA NORME DE SÉCURITÉ ET DE CONSTRUCTION DE MAISONS MANUFACTURÉES, TITRE 24 CFR, SECTION 3280. DANS LE CAS OÙ CETTE NORME DES ÉTATS-UNIS NE PEUT ÊTRE APPLIQUÉE, SE RÉFÉRER À LA NORME RELATIVE AU CRITÈRE DE MESURES DE SÉCURITÉ CONTRE L'INCENDIE POUR LES INSTALLATIONS DANS LES MAISONS MANUFACTURÉES, LES SITES ET LES COMMUNAUTÉS, ANS/NFPA 501A. POUR UNE UTILISER AVEC BARRIÈRE W565-0134. SUIVEZ LES INSTRUCTIONS D'INSTALLATION SE TROUVENT DANS LE MANUEL D'INSTALLATION.</p>	
<p>Natural Gas/Gaz Naturel</p> <p><input type="checkbox"/> XIR4N <input type="checkbox"/> CXIR4N</p> <p>4500FT (0-1370m) 40,000 BTU/h 16,000 BTU/h</p> <p>MANIFOLD PRESSURE: 3.5" WATER COLUMN PRESSION AU COLLECTEUR: 3.5" D'UNE COLONNE D'EAU MINIMUM SUPPLY PRESSURE: 4.5" WATER COLUMN PRESSION D'ALIMENTATION MINIMALE: 4.5" D'UNE COLONNE D'EAU MAXIMUM SUPPLY PRESSURE: 7.0" WATER COLUMN PRESSION D'ALIMENTATION MAXIMALE: 7.0" D'UNE COLONNE D'EAU</p>		<p>MODEL <input checked="" type="checkbox"/> XIR4P <input type="checkbox"/> CXIR4P</p> <p>Propane</p> <p>4500FT (0-1370m) 40,000 BTU/h 15,000 BTU/h</p> <p>MANIFOLD PRESSURE: 10" WATER COLUMN PRESSION AU COLLECTEUR: 10" D'UNE COLONNE D'EAU MINIMUM SUPPLY PRESSURE: 11" WATER COLUMN PRESSION D'ALIMENTATION MINIMALE: 11" D'UNE COLONNE D'EAU MAXIMUM SUPPLY PRESSURE: 13" WATER COLUMN PRESSION D'ALIMENTATION MAXIMALE: 13" D'UNE COLONNE D'EAU</p>	
<p>THIS VENTED GAS FIREPLACE IS NOT FOR USE WITH AIR FILTERS. FOR USE WITH GLASS DOORS CERTIFIED FOR THIS UNIT ONLY. NOT FOR USE WITH SOLID FUEL.</p> <p>WARNING: DO NOT ADD ANY MATERIAL TO THE APPLIANCE THAT WILL COME IN CONTACT WITH THE FLAMES, OTHER THAN THAT SUPPLIED BY THE MANUFACTURER WITH THE APPLIANCE. DECORATIVE PRODUCT: NOT FOR USE AS A HEATING APPLIANCE. ELECTRICAL RATING: 115V 1.5AMP 60HZ THE APPLIANCE MUST BE VENTED USING THE APPROPRIATE WOLF STEEL VENT KITS. SEE OWNER'S INSTALLATION MANUAL FOR VENTING SPECIFICS. PROPER REINSTALLATION AND RESEALING IS NECESSARY AFTER SERVICING THE VENT-AIR INTAKE SYSTEM. WARNING: FOR INSTALLATION INTO A VENTED NON-COMBUSTIBLE FIREPLACE ONLY. THE MINIMUM FIREPLACE SIZE IS: HEIGHT 28", DEPTH 17" WITH 34". THE MINIMUM INSIDE FLUE SIZE IS 6". THE MINIMUM DISTANCE FROM THE BOTTOM OF A COMBUSTIBLE MANTEL PROJECTING A MAXIMUM 3" FROM THE WALL TO THE TOP OF THE UNIT IS 12". SEE OWNER'S MANUAL FOR GREATER EXTENSIONS. OPTIONAL FAN KIT - GZ550-KT, GD65.</p> <p>WOLF STEEL LTD. 24 NAPOLEON ROAD, BARRIE, ONTARIO L4M 0G8 CANADA</p>		<p>CE FOYER À GAZ VENTILÉS NE DOIT PAS ÊTRE UTILISÉ CONJOINTEMENT AVEC DES FILTRES À AIR. UTILISER AVEC LES PORTES VITRÉES HOMOLOGUÉES AVEC CETTE UNITÉ SEULEMENT. UN COMBUSTIBLE SOLIDE NE DOIT PAS ÊTRE UTILISÉ AVEC CET APPAREIL.</p> <p>AVERTISSEMENT: N'A JOUTEZ PAS A CET APPAREIL AUCUN MATERIAU DEVANT ENTRER EN CONTACT AVEC LES FLAMMES AUTRE QUE CELUI QUI EST FOURNI AVEC CET APPAREIL PAR LE FABRICANT. PRODUIT DÉCORATIF: NE PAS UTILISER COMME APPAREIL DE CHAUFFAGE CLASS: 115V, 1.5AMP, 60HZ L'APPAREIL DOIT ÉVACUER SES GAZ EN UTILISANT L'ENSEMBLE D'ÉVACUATION PROPRE A WOLF STEEL. REFERER AU MANUEL D'INSTALLATION DE PROPRIÉTAIRE POUR L'ÉVACUATION PRÉCISE. IL EST IMPORTANT DE BIEN REINSTALLER ET RESELLER L'ÉVENT APRES AVOIR ASSURE LE MAINTIEN DU SYSTEME DE PRISE D'AIR. ATTENTION: POUR INSTALLATION DANS UN FOYER VENTILÉ EN MAÇONNERIE. LES DIMENSIONS MINIMUMS SONT: HAUTEUR 24 1/2", PROFONDEUR 17", LARGEUR 34". LE DIAMÈTRE INTÉRIEUR MINIMUM DE CONDUIT D'ÉVACUATION EST DE 6". LA DISTANCE MINIMALE, DU BAS DU MANTEAU COMBUSTIBLE FORMANT UNE PROJECTION MAXIMALE DE 3" DU MUR AU DESSUS DE LA GARNITURE NORMALE EST 12". REFERER AU MANUEL D'INSTALLATION POUR DES EXTENSIONS PLUS GRANDES. SOUFFLERIE OPTIONELLE: GZ550-KT, GD65.</p> <p>SERIAL NUMBER/NO. DE SERIE: XIR4/CXIR4 W385-0662 / D</p>	

INSTALLATEUR : Il est de votre responsabilité de cocher les cases appropriées sur la plaque d'homologation correspondant au modèle, au type d'évacuation et au type de gaz de l'appareil.

Pour l'emplacement de la plaque d'homologation, voir la section « VUE D'ENSEMBLE DE L'INSTALLATION ».

Cette illustration est à titre de référence seulement. Consultez la plaque d'homologation pour obtenir l'information précise.

NOTE: La plaque d'homologation doit rester avec l'appareil à tout instant. Il ne doit pas être enlevé.

3.0 INSTALLATION

! AVERTISSEMENT

**RISQUE D'INCENDIE CONSERVEZ LES DÉGAGEMENTS NÉCESSAIRES
AU CONDUIT D'EVENT ET À L'APPAREIL.**

Retirez les cendres de l'appareil de chauffage au bois. Assurez-vous que la cheminée et l'appareil de chauffage au bois sont propres et en bon état et qu'ils sont construits avec des matériaux incombustibles. Si nécessaire, faites faire les travaux de réparation par une personne qualifiée avant d'installer l'encastré. Enlevez le registre de l'appareil de chauffage au bois ou fixez-le en position ouverte.

À l'aide de vis, fixez l'étiquette d'avertissement à l'intérieur de la chambre de combustion de l'appareil existant, dans lequel l'encastré sera installé.

Les composants en tôle de l'appareil existant, dans lequel l'encastré sera installé, ne doivent pas être sectionnés.

Si l'appareil de chauffage au bois ne possède pas de trou d'accès pour le raccordement au gaz, un trou d'accès de 1 1/2" (38,1mm) ou moins peut être pratiqué selon les règles du métier à travers les côtés inférieurs ou le plancher de l'appareil. Ce trou d'accès doit être bourré d'isolant incombustible une fois que le tuyau d'alimentation en gaz a été installé.

Assurez-vous que la porte de la trappe de ramonage existante soit bien fermée.

Les briques réfractaires, la porte vitrée, la glissière, le rideau pare-étincelles et les supports à bûches peuvent être retirés de l'appareil existant avant d'installer l'encastré.

Les tablettes de fumée, les écrans et les déflecteurs peuvent être retirés s'ils sont fixés avec des attaches mécaniques.

Les ouvertures de ventilation de l'appareil peuvent être obstruées par les plaques de fond, les moulures en aluminium, etc., mais ces composants ne doivent pas être installés de façon à sceller hermétiquement les ouvertures.

WARNING: THIS FIREPLACE HAS BEEN CONVERTED FOR USE WITH A GAS FIREPLACE INSERT ONLY AND CANNOT BE USED FOR BURNING WOOD OR SOLID FUELS UNLESS ALL ORIGINAL PARTS HAVE BEEN REPLACED AND THE FIREPLACE IS RE-APPROVED BY THE AUTHORITY HAVING JURISDICTION.

ATTENTION: CE FOYER A ÉTÉ CONVERTI AFIN D'ÊTRE UTILISÉ SEULEMENT COMME FOYER ENCASTRE AU GAZ ET NE PEUT ÊTRE UTILISÉ POUR BRÛLER DU BOIS OU TOUT AUTRE COMBUSTIBLE SOLIDE, SANS QUE TOUTES LES PIÈCES ORIGINALES AIENT ÉTÉ REMPLACÉES ET QUE LE FOYER SOIT APPROUVÉ DE NOUVEAU PAR LES AUTORITÉS AYANT JURISDICTION.

ADVERTENCIA: ESTA CHIMENEA SE REMODELÓ PARA USARSE SOLO CON UNA INSERCIÓN DE CHIMENEA A GAS Y NO PUEDE USARSE PARA QUEMAR MADERA NI COMBUSTIBLES SÓLIDOS, A MENOS QUE SE HAYAN REEMPLAZADO TODAS LAS PIEZAS ORIGINALES, Y LA AUTORIDAD JURISDICCIONAL LA HAYA VUELTO A APROBAR.

W385-0199_B

68.4B

3.1 MISE À NIVEAU DE L'ENCASTRÉ

Placez l'encastré le plus près possible de son emplacement définitif. Cet appareil est muni de vis de réglage situées sur la base. Mettez à niveau, en vous servant des vis de réglage, afin d'éliminer les balancements et le bruit excessif lorsque la soufflerie est en marche. Une fois que l'appareil est à niveau, ne le mettez que partiellement en place afin d'effectuer tous les raccordements. Il est difficile de mettre à niveau l'encastré une fois qu'il est installé. Déterminez la profondeur requise avant d'installer l'appareil, puis ajustez les vis de réglage en conséquence.

67.2

3.2 INSTALLATION DE LA CHEMINÉE

L'installation de la cheminée doit être conforme aux normes des codes nationaux et locaux. La cheminée doit être munie d'un conduit de 3" (76mm) de diamètre pour la prise d'air et d'un conduit de 3" (76mm) de diamètre pour l'évacuation. Les longueurs minimales et maximales des gaines sont respectivement de 10 pieds (3m) et 35 pieds (11m). Les ensembles d'événements Napoléon recommandés sont offerts en trois longueurs :

2 GAINES DE 3" EN ALUMINIUM À DOUBLE PAROI - PRISE D'AIR ET ÉVACUATION :

GDI-320KT	ENSEMBLE D'ÉVÉNEMENTS 20 PI (6m)
GDI-325KT	ENSEMBLE D'ÉVÉNEMENTS 25 PI (8m)
GDI-335KT	ENSEMBLE D'ÉVÉNEMENTS 35 PI (11m)

Bien que les gaines doivent être continues de l'appareil au chapeau de la cheminée, elles peuvent être raccordées pour obtenir la longueur désirée en utilisant une bague d'accouplement approuvée. Nous recommandons que la gaine d'évacuation qui traverse une zone non chauffée telle que des cheminées extérieures de grande taille soit enveloppée dans un manchon isolant, ceci afin d'éviter la condensation et les effets de refoulement. Pour plus de détails, consultez le guide de dépannage.

Cet appareil est approuvé pour installation avec une 3" (76mm) de diamètre pour la prise d'air et une gaine de 3" (76mm) de diamètre pour l'évacuation.

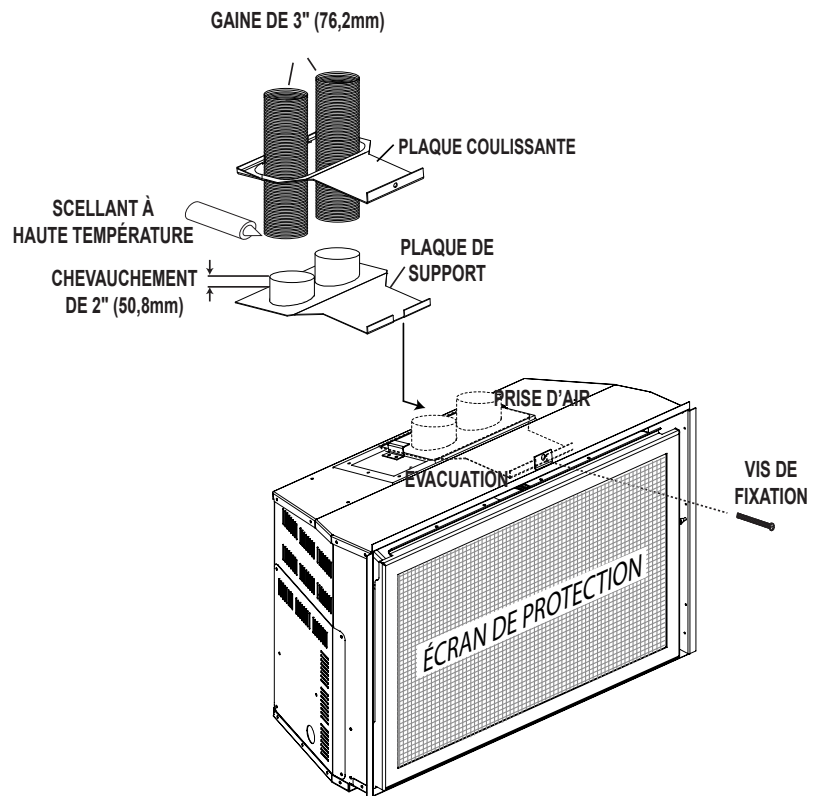
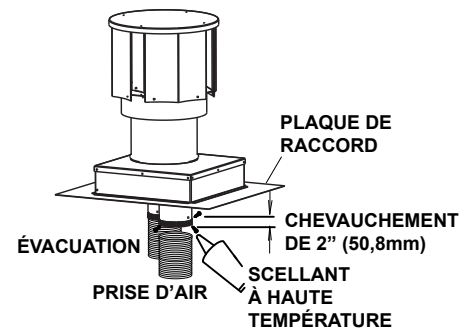
- A. **À L'EXTÉRIEUR :** Faites glisser l'extrémité d'une gaine un minimum de 2" (51mm) par-dessus le manchon de la terminaison. Fixez à l'aide de 3 vis.

NOTE : Nous recommandons que l'autre extrémité de la gaine d'évacuation soit identifiée pour éviter qu'elle ne soit raccordée au collet de prise d'air de l'appareil.

- B. Étirez doucement les gaines jusqu'aux longueurs désirées et insérez-les dans la cheminée. Découpez et placez la plaque de raccord afin qu'elle s'adapte au chapeau de la cheminée. Placez la terminaison par-dessus la cheminée. Rendez-la étanche en la scellant avec du calfeutrage (non fourni). Fixez à la cheminée avec des vis et des chevilles (non fournies).

- C. **À L'INTÉRIEUR :** Retirez la vis de fixation du devant de la plaque de support des événements. Engagez seulement la plaque de support des événements dans la glissière et tirez-la jusqu'au support de fixation à l'avant. Installez la plaque coulissante de la même façon. Réinstallez la vis de fixation. Vous pouvez à présent installer l'encastrement dans son emplacement définitif à l'intérieur de l'appareil de chauffage au bois, avec la vis de fixation bien serrée de façon à ce que la plaque coulissante soit solidement fixée au support de fixation.

- D. Faites passer les gaines flexibles à travers la plaque coulissante. Fixez les gaines à la plaque de support des événements en suivant la même procédure qu'auparavant, en vous assurant que la gaine d'évacuation identifiée soit fixée au collet d'évacuation.



3.3 BRANCHEMENT DU GAZ

**AVERTISSEMENT**

RISQUE D'INCENDIE, D'EXPLOSION OU D'ASPHYXIE. ASSUREZ-VOUS QU'IL N'Y AIT AUCUNE SOURCE D'ALLUMAGE COMME DES ÉTINCELLES OU UNE FLAMME NUE.

SOUTENEZ LE CONTRÔLE DU GAZ LORSQUE VOUS ATTACHEZ LE TUYAU POUR ÉVITER DE PLIER LA CONDUITE DE GAZ.

ALLUMEZ TOUJOURS LA VEILLEUSE, QUE CE SOIT POUR LA PREMIÈRE FOIS OU LORSQUE L'APPROVISIONNEMENT EN GAZ EST ÉPUISÉ, AVEC LA PORTE VITRÉE OUVERTE OU RETIRÉE. LA PURGE DOIT ÊTRE EFFECTUÉE PAR UN TECHNICIEN QUALIFIÉ. ASSUREZ-VOUS QUE L'ARRIVÉE DE GAZ AU BRÛLEUR EST CONTINUE AVANT DE FERMER LA PORTE. ASSUREZ-VOUS D'UNE VENTILATION ADÉQUATE. POUR LES EMPLACEMENTS DE L'ENTRÉE DU GAZ ET DE L'ENTRÉE ÉLECTRIQUE, VOIR LA SECTION « DIMENSIONS ».

LORSQUE LE BRANCHEMENT EST TERMINÉ, TOUS LES RACCORDS DE GAZ DOIVENT SE TROUVER À L'INTÉRIEUR DU FOYER.

LES PRESSIONS ÉLEVÉES ENDOMMAGERONT LA SOUPE. L'ALIMENTATION EN GAZ DOIT ÊTRE DÉBRANCHÉE PENDANT LES ESSAIS DE PRESSION DE CE SYSTÈME LORSQUE LES PRESSIONS D'ESSAI EXCÈDENT ½ LB/PO² (3,5 KPA).

LES RÉGLAGES DE LA SOUPE ONT ÉTÉ FAITS EN USINE; NE LES MODIFIEZ PAS.

L'installation et l'entretien doivent être effectués par un installateur qualifié.

- A.** Mettez l'appareil en place et fixez-le.
- B.** Si l'appareil est muni d'un raccord flexible, celui-ci est conçu pour recevoir une conduite de gaz de 1/2". Sans raccord flexible, l'appareil est conçu pour recevoir une conduite de gaz de 3/8". L'appareil est muni d'une soupape d'arrêt manuelle pour fermer l'alimentation en gaz.
- C.** Branchez le gaz en conformité avec les codes locaux. En l'absence de codes locaux, l'installation doit être conforme au Code d'installation du gaz CAN/CSA-B149.1 dans sa version pour le Canada ou le National Fuel Gas Code, ANSI Z223.1 / NFPA 54 pour les États-Unis.
- D.** Lorsque vous manipulez des conduites de gaz, soutenez la soupape de gaz pour éviter que les conduites ne se plient.
- E.** Le raccord flexible de l'alimentation en gaz devrait être suffisamment mobile pour permettre de placer l'assemblage du brûleur sur le côté.
- F.** Vérifiez pour des fuites de gaz en appliquant une solution d'eau savonneuse. **N'utilisez pas une flamme nue.**

30.1A

4.0 FINITIONS

! AVERTISSEMENT	
RISQUE D'INCENDIE!	
N'OBSTRUEZ JAMAIS L'OUVERTURE SUR LE DEVANT DE L'APPAREIL.	
SI LA FINITION DE LA FAÇADE DE L'APPAREIL EST FAITE, ELLE DOIT ÊTRE FAITE DE MATÉRIAU INCOMBUSTIBLE COMME DE LA BRIQUE, DU MARBRE, DU GRANITE, ETC.	
NE FRAPPEZ PAS, NE CLAQUEZ PAS ET N'ÉGRATIGNEZ PAS LA PORTE VITRÉE. NE FAITES PAS FONCTIONNER L'APPAREIL LORSQUE LA PORTE VITRÉE EST ENLEVÉE, FISSURÉE, BRISÉE OU ÉGRATIGNÉE.	
LES MATÉRIEAUX DE FAÇADE OU DE FINITION NE DOIVENT JAMAIS EMPIÉTER SUR L'OUVERTURE DE L'APPAREIL.	

72.1B

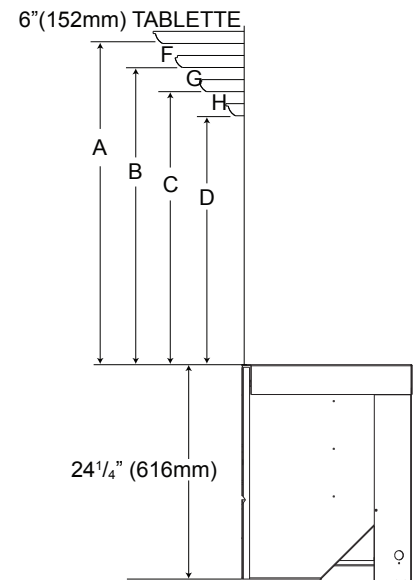
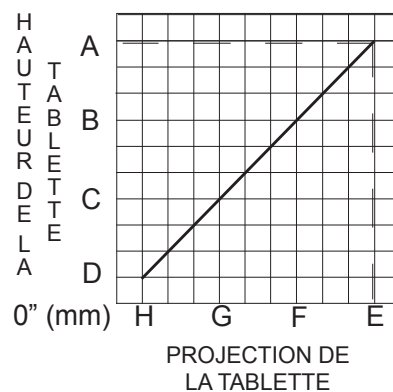
4.1 DÉGAGEMENTS MINIMAUX DE LA TABLETTE

! AVERTISSEMENT	
RISQUE D'INCENDIE. CONSERVEZ TOUS LES DÉGAGEMENTS AUX MATÉRIEAUX COMBUSTIBLES SPÉCIFIÉS. NE PAS RESPECTER CES INSTRUCTIONS PEUT CAUSER UN INCENDIE OU UNE SURCHAUFFE. ASSUREZ-VOUS QUE TOUS LES DÉGAGEMENTS (ARRIÈRE, CÔTÉS, DESSUS, ÉVENTS, TABLETTE, FAÇADE, ETC.) SONT RESPECTÉS À LA LETTRE.	
LORSQUE VOUS UTILISEZ DE LA PEINTURE OU DU VERNIS COMME FINITION POUR VOTRE TABLETTE, ASSUREZ-VOUS QU'ILS SOIENT RÉSISTANTS À LA CHALEUR AFIN DE PRÉVENIR LA DÉCOLORATION.	

73.1

Le dégagement d'une tablette combustible à l'appareil peut varier selon la profondeur de la tablette. Utilisez le graphique pour vous aider à déterminer le dégagement nécessaire. Les mêmes dégagements aux matériaux combustibles s'appliquent pour toutes les surfaces en projection sur les côtés de l'appareil.

DIMENSIONS DE LA TBALETTE	
Ref	
A	17" (43,2cm)
B	16" (40,6cm)
C	15" (38,1cm)
D	14" (35,6cm)
E	6" (152mm)
F	5" (127mm)
G	4" (102mm)
H	3" (76mm)





4.2 ENLÈVEMENT ET INSTALLATION DE L'ÉCRAN DE PROTECTION ET LA PORTE

! AVERTISSEMENT

LA VITRE PEUT ÊTRE CHAUDE, NE TOUCHEZ PAS LA VITRE JUSQU'À CE QU'ELLE AIT REFROIDI.

SI ÉQUIPÉ AVEC LES LOQUETS DE PORTE QUI FONT PARTIE D'UN DISPOSITIF DE SÉCURITÉ ET DOIVENT ÊTRE ADÉQUATEMENT VERROUILLÉS. NE FAITES PAS FONCTIONNER L'APPAREIL LORSQUE LES LOQUETS SONT DÉVERROUILLÉS.

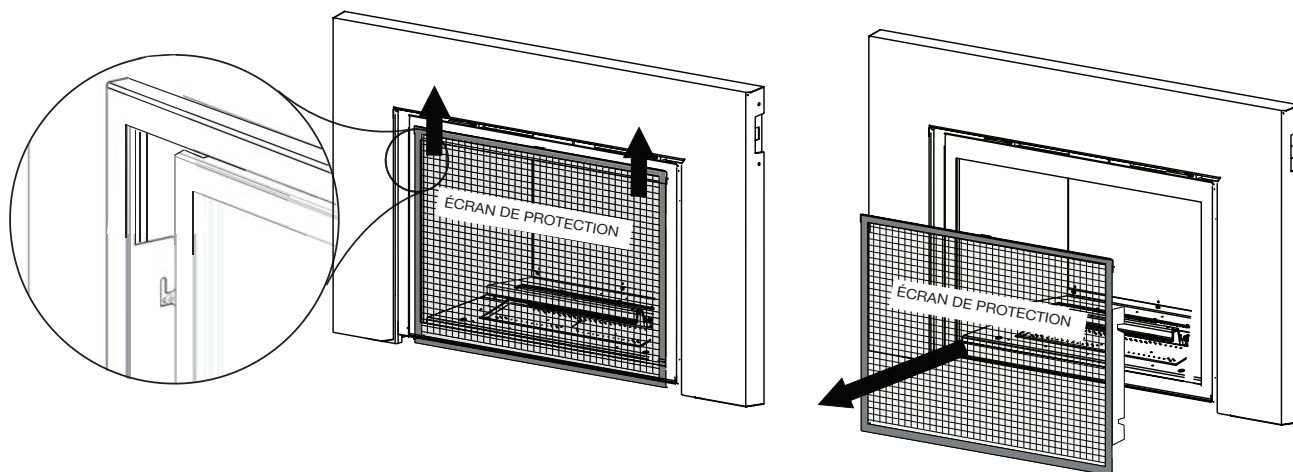
LES MATÉRIAUX DE FAÇADE ET DE FINITION NE DOIVENT PAS NUIRE À LA CIRCULATION DE L'AIR DANS LES OUVERTURES D'AIR ET LES PERSIENNES, NI AU FONCTIONNEMENT DES PERSIENNES OU DES PORTES. ILS NE DOIVENT PAS NON PLUS ENTRAVER L'ACCÈS POUR L'ENTRETIEN. RESPECTEZ TOUS LES DÉGAGEMENTS AUX MATÉRIAUX COMBUSTIBLES.

AVANT D'ENLEVER LA PORTE, ÉTEIGNEZ L'APPAREIL ET ATTENDEZ QUE CE DERNIER SOIT FROID AU TOUCHER. LES PORTES SONT LOURDES ET FRAGILES; MANIPULEZ AVEC SOIN.

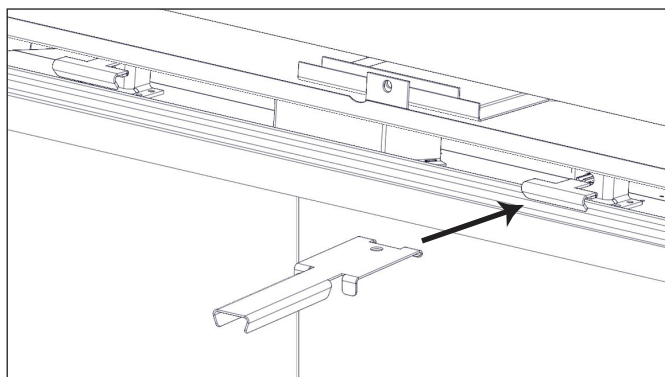
75.1A

Une barrière conçu à réduire le risque de brûlures à partir de la chaude la vitre est à condition que avec l'appareil et sera être installés.

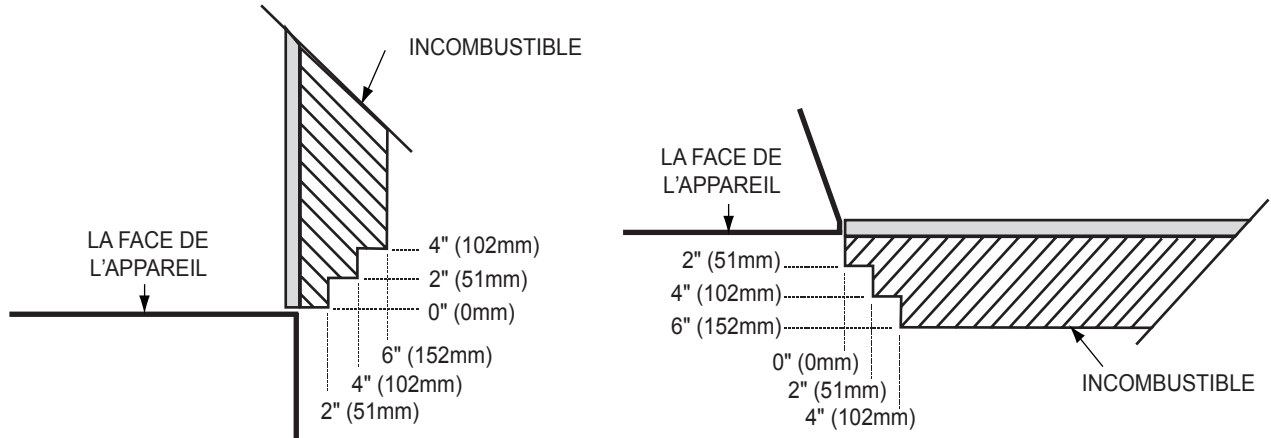
Avant d'enlever la porte vitrée, l'écran de protection doit être enlever. Soulevez l'écran de protection hors des 4 goupilles et enlever de l'appareil, puis inclinez la partie haut du porte vitrée puis enlever de l'appareil.



- Il y a 2 loquets de porte qui obtient la porte, pour accéder à ces loquets, la porte à pièces doit être enlevée.
- Utiliser l'outil fourni, tirer le loquet en avant et vers le haut, puis hors de l'entaille dans la porte, comme illustré.
- Quand les loquets sont relâchés tirer la porte en avant et retenue porte de inférieur.
- Inversez ces étapes pour réinstaller l'écran de protection et la porte. Assurez la l'écran de protection est correctement installé.



4.3 MATÉRIAU DE FINITION INCOMBUSTIBLE



AVERTISSEMENT: Les matériaux de finition incombustibles ne doivent pas dépasser de la sommet, du fond ou des côtés de l'appareil, comme illustrée (pour une projection maximale 6 po (152,4mm)). Les projections plus grandes sont considérés une tablette et doivent suivre les conditions combustibles des tablettes.

FR

4.4 DISPOSITION DES BÛCHES

! AVERTISSEMENT

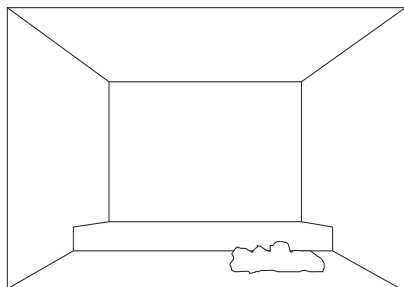
OMETTRE DE POSITIONNER LES BÛCHES CONFORMÉMENT AUX SCHÉMAS OU OMETTRE D'UTILISER UNIQUEMENT DES BÛCHES SPÉCIFIQUEMENT APPROUVÉES POUR CET APPAREIL PEUT CAUSER DES DOMMAGES MATÉRIELS OU DES BLESSURES CORPORELLES.

LES BÛCHES DOIVENT ÊTRE PLACÉES CORRECTEMENT À L'INTÉRIEUR DE L'APPAREIL. NE CHANGEZ PAS LA POSITION DES BÛCHES CAR L'APPAREIL RISQUE DE NE PAS FONCTIONNER ADÉQUATEMENT ET UN RETARD D'ALLUMAGE RISQUE DE SE PRODUIRE.

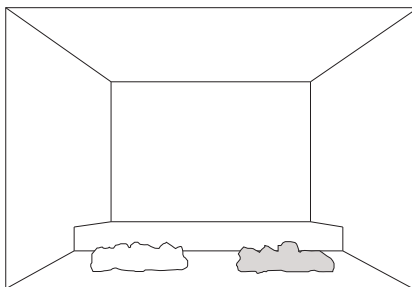
LES BÛCHES SONT FRAGILES ET DEVRAIENT ÊTRE MANIPULÉES AVEC SOIN.

76.1A

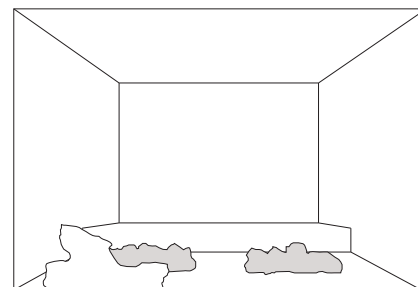
LES BÛCHES PHAZER^{MP} et les braises incandescentes, exclusives aux appareils Napoléon®, créent un effet incandescent réaliste et unique qui est différent dans chaque installation. Prenez le temps de bien installer les braises incandescentes pour obtenir le meilleur effet possible. La couleur des bûches peut varier. Lors de la première utilisation de l'appareil, les couleurs deviendront plus uniformes à mesure que leurs pigments seront « absorbés » pendant le procédé de « cuisson ».



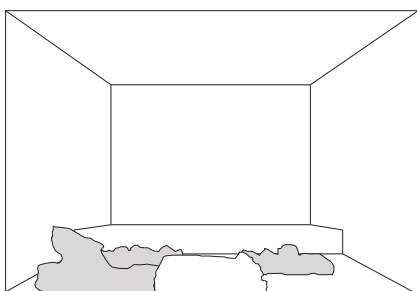
1. Mettez le morceau de charbon droit en place, en alignant les trous sous le morceau de charbon avec les tiges situées sur le côté droit du brûleur.



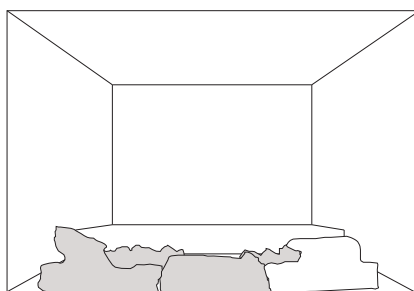
2. Mettez le morceau de charbon gauche en place, en alignant les trous sous le morceau de charbon avec les tiges situées sur le côté gauche du brûleur.



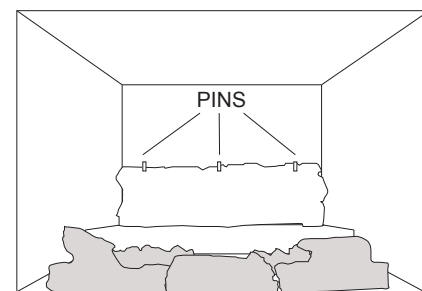
3. Mettez le morceau de charbon avant gauche* en place, en alignant les trous sous le morceau de charbon avec les tiges du coin avant gauche.



4. Mettez le morceau de charbon central* en place, en alignant le trou sous le morceau de charbon avec la tige située à l'avant centre du support à bûches.

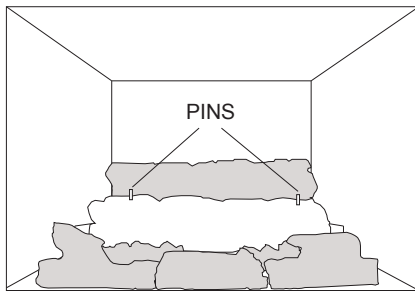


5. Mettez le morceau de charbon avant droit* en place, en alignant les trous sous le morceau de charbon avec les tiges du coin avant droit.

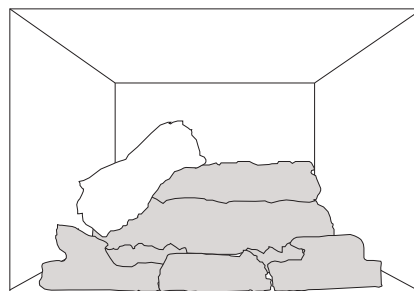


6. Mettez la bûche arrière contre le panneau arrière, en alignant les trous avec les tiges situées à l'arrière de la chambre de combustion. Insérez 3 tiges (fournies) sur le dessus de la bûche.

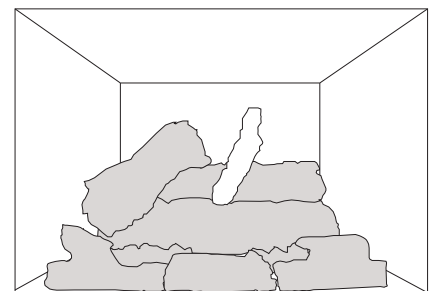
* Ces morceaux avant ont un rebord afin de les différencier des autres morceaux de charbon.



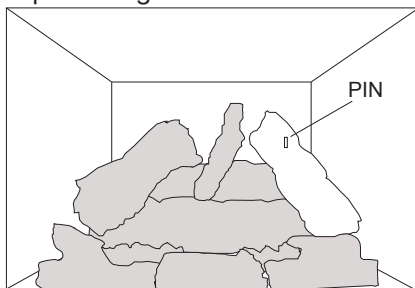
7. Mettez la bûche centrale derrière le brûleur à plateau, en alignant les trous avec les quatre tiges et en vous assurant que la bûche soit à plat sur la base. Insérez deux tiges dans les trous supérieurs gauche et droit.



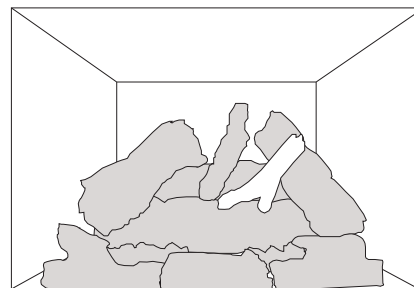
8. Placez la bûche transversale gauche sur les tiges sur le côté gauche des bûches centrale et arrière.



9. Placez la bûche transversale centrale sur la tige centrale de la bûche arrière. Placez l'extrémité de la bûche dans la fente de la bûche centrale.



10. Placez la bûche transversale droite sur les tiges sur le côté droit des bûches centrale et arrière. Insérez une tige sur le dessus de la bûche.

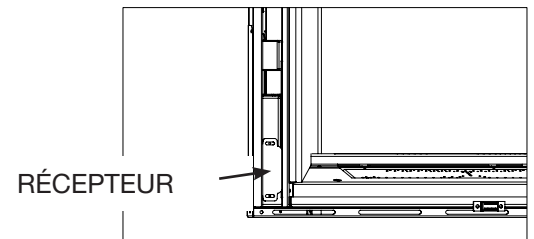


11. Placez la petite bûche transversale centrale sur la tige de la bûche transversale droite et placez l'autre extrémité sur la bûche centrale comme illustré.

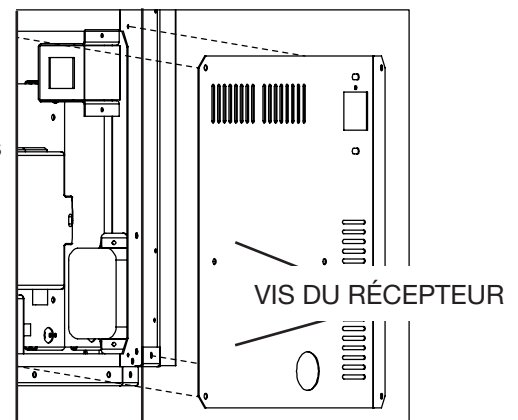
12. Déchirez les braises incandescentes en morceaux et placez-les sur le dessus du brûleur avant. Prenez bien garde de ne pas boucher les orifices du brûleur.

4.5 INSTALLATION DES PILES

Pour que le XIR4 soit fonctionnel, vous devez installer 4 piles AA dans le récepteur. Le récepteur est situé dans le coin inférieur gauche de l'appareil.



Si vous devez enlever le récepteur, retirez le panneau d'accès gauche du devant de l'appareil. Enlevez les deux vis servant à fixer le récepteur. Tirez le récepteur à travers l'ouverture d'accès puis remplacez.



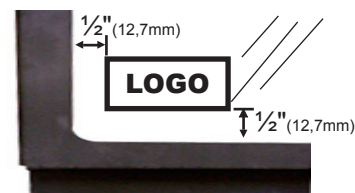
4.6 BRAISES INCANDESCENTES

Déchirez les braises incandescentes en morceaux et placez-les le long de la première rangée des orifices du brûleur en couvrant toute la surface à l'avant des petites bûches. Les braises devraient être déchirées très soigneusement en petits morceaux minces irréguliers, car seuls les côtés exposés des fibres deviendront incandescentes. **Les braises seront incandescentes seulement lorsqu'elles sont exposées à une flamme directe; cependant, prenez bien garde de ne pas boucher les orifices du brûleur.**

Le blocage des orifices du brûleur peut créer une flamme irrégulière, des dépôts de carbone et un retard d'allumage. Les bûches PHAZER^{MD} rougeoient lorsqu'elles sont exposées à une flamme directe. N'utilisez que des braises incandescentes et des bûches certifiées PHAZER^{MD}, disponibles chez votre détaillant autorisé.

4.7 MISE EN PLACE DU LOGO

Retirez le papier dorsal du logo et placez-le sur la porte vitrée tel qu'indiqué.



97.1A

5.0 INFORMATION ÉLECTRIQUE

! AVERTISSEMENT

N'UTILISEZ PAS CE FOYER SI UNE PARTIE QUELCONQUE A ÉTÉ SUBMERGÉE. CONTACTEZ IMMÉDIATEMENT UN TECHNICIEN DE SERVICE QUALIFIÉ POUR INSPECTER L'APPAREIL POUR DES DOMMAGES AU CIRCUIT ÉLECTRIQUE.

RISQUE DE CHOCS ÉLECTRIQUES OU D'EXPLOSION. NE BRANCHEZ PAS LE 110 V À LA SOUPAPE OU À L'INTERRUPTEUR MURAL DE L'APPAREIL. UN BRANCHEMENT ÉLECTRIQUE INCORRECT ENDOMMAGERA LES CONTRÔLES.

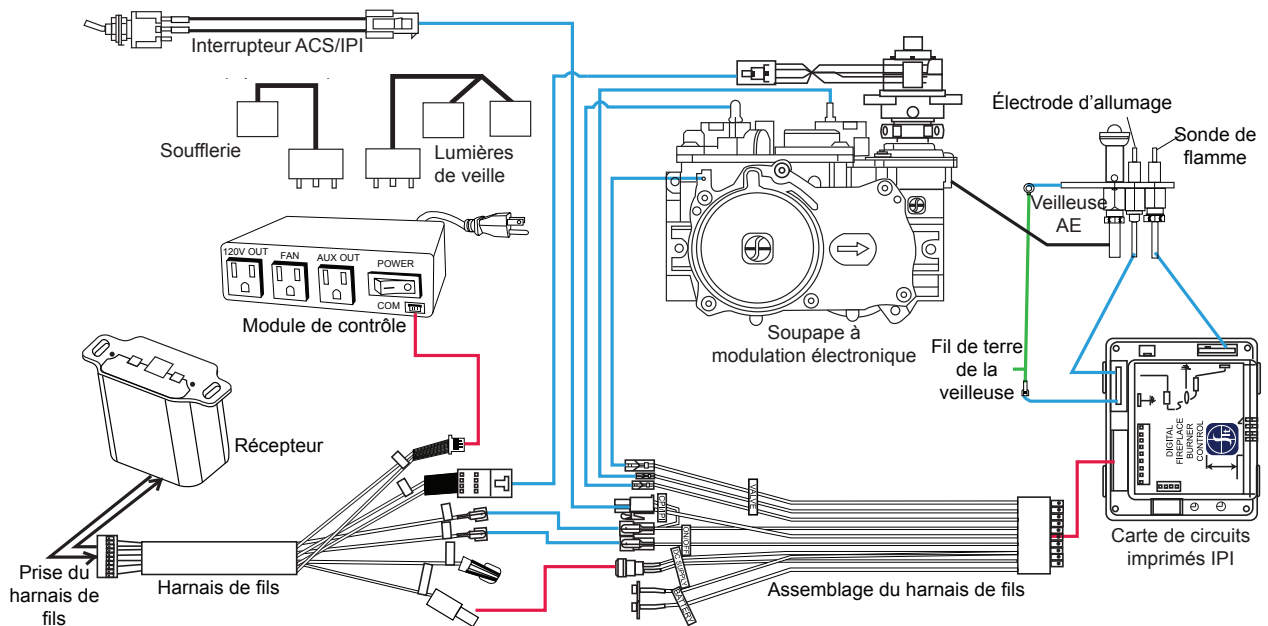
CET APPAREIL DOIT ÊTRE RACCORDÉ ÉLECTRIQUEMENT PAR UN ÉLECTRICIEN QUALIFIÉ CONFORMÉMENT AUX CODES LOCAUX. EN L'ABSENCE DE CODES LOCAUX, UTILISEZ LA VERSION COURANTE DU CODE CANADIEN DE L'ÉLECTRICITÉ CSA C22.1 AU CANADA OU LE NATIONAL ELECTRICAL CODE ANSI/NFPA 70 AUX ÉTATS-UNIS.

ALLUMEZ TOUJOURS LA VEILLEUSE, QUE CE SOIT POUR LA PREMIÈRE FOIS OU LORSQUE L'APPROVISIONNEMENT EN GAZ EST ÉPUISÉ, AVEC LA PORTE VITRÉE OUVERTE OU RETIRÉE.

69.2

5.1 SCHÉMA DE CÂBLAGE

Cet appareil est équipé d'un système de dépannage à piles. Si le système de dépannage à piles est utilisé, installez quatre piles AA (non fournies) dans le récepteur.



6.0 FONCTIONNEMENT

! AVERTISSEMENT

SI CES INSTRUCTIONS NE SONT PAS SUIVIES À LA LETTRE, UN INCENDIE OU UNE EXPLOSION POURRAIENT S'ENSUIVRE, CAUSANT DES DOMMAGES MATÉRIELS, DES BLESSURES CORPORELLES OU DES PERTES DE VIE.

ALLUMEZ TOUJOURS LA VEILLEUSE, QUE CE SOIT POUR LA PREMIÈRE FOIS OU LORSQUE L'APPROVISIONNEMENT EN GAZ EST ÉPUISÉ, AVEC LA PORTE VITRÉE OUVERTE OU RETIRÉE.

Lorsqu'il est allumé pour la première fois, l'encastrement dégagera une légère odeur pendant quelques heures. Cela est une condition normale temporaire causée par l'évaporation des peintures et lubrifiants internes utilisés dans le processus de fabrication; elle ne se reproduira plus. Après de longues périodes sans utiliser l'appareil, comme à la suite de vacances ou à la fin de l'été, il se peut qu'une légère odeur se dégage pendant quelques heures. Ceci est causé par des particules de poussière brûlant dans l'échangeur de chaleur. Dans les deux cas, ouvrez une fenêtre pour aérer la pièce.

6.1 INSTRUCTIONS D'OPÉRATION ET D'ALLUMAGE

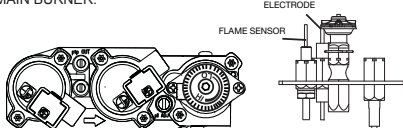
OPERATING INSTRUCTIONS / INSTRUCTIONS D'OPÉRATION
FOR YOUR SAFETY READ BEFORE OPERATING / POUR VOTRE SÉCURITÉ LIRE AVANT DE FAIRE FONCTIONNER

<p>WARNING: DO NOT TURN ON IF CHILDREN OR OTHER AT RISK INDIVIDUALS ARE NEAR THE APPLIANCE. IF YOU DO NOT FOLLOW THESE INSTRUCTIONS EXACTLY, A FIRE OR EXPLOSION MAY RESULT CAUSING PROPERTY DAMAGE, PERSONAL INJURY OR LOSS OF LIFE. INITIAL LIGHTING OF THE PILOT AND MAIN BURNERS MUST BE DONE WITH THE GLASS DOOR OFF. DO NOT CONNECT VALVE OR WALL SWITCH TO ELECTRICITY. SEE INSTALLATION INSTRUCTIONS.</p> <p>A. THIS APPLIANCE IS EQUIPPED WITH AN IGNITION DEVICE WHICH AUTOMATICALLY LIGHTS THE PILOT. DO NOT TRY TO LIGHT BY HAND.</p> <p>B. BEFORE OPERATING, SMELL ALL AROUND THE APPLIANCE AREA FOR GAS AND NEXT TO THE FLOOR BECAUSE SOME GAS IS HEAVIER THAN AIR AND WILL SETTLE ON THE FLOOR.</p> <p>WHAT TO DO IF YOU SMELL GAS:</p> <ul style="list-style-type: none"> • TURN OFF ALL GAS TO THE APPLIANCE. • OPEN WINDOWS. • DO NOT TRY TO LIGHT ANY APPLIANCE. • DO NOT TOUCH ANY ELECTRICAL SWITCH; DO NOT USE ANY PHONE IN YOUR BUILDING. • IMMEDIATELY CALL YOUR GAS SUPPLIER FROM A NEIGHBOUR'S PHONE. FOLLOW THE GAS SUPPLIER'S INSTRUCTIONS. • IF YOU CANNOT REACH YOUR GAS SUPPLIER, CALL THE FIRE DEPARTMENT. <p>C. DO NOT TRY TO REPAIR ANY PART OF THIS ASSEMBLY. CALL A QUALIFIED SERVICE TECHNICIAN. FORCE OR ATTEMPTED REPAIR MAY RESULT IN A FIRE OR EXPLOSION.</p> <p>D. DO NOT USE THIS APPLIANCE IF ANY PART HAS BEEN UNDER WATER. IMMEDIATELY CALL A QUALIFIED SERVICE TECHNICIAN TO INSPECT THE APPLIANCE AND REPLACE ANY PART OF THE CONTROL SYSTEM AND ANY GAS CONTROL WHICH HAS BEEN UNDER WATER.</p>	<p>ATTENTION: NE PAS ALLUMER SI DES ENFANTS OU D'AUTRES INDIVIDUS À RISQUE SONT À PROXIMITÉ DU FOYER. QUICONQUE NE RESPECTE PAS À LA LETTRE LES INSTRUCTIONS DANS LA PRÉSENTE NOTICE, RISQUE DE DÉCLENCHER UN INCENDIE OU UNE EXPLOSION ENTRAÎNANT DES DOMMAGES, DES BLESSURES OU LA MORT. L'ALLUMAGE INITIAL DE LA VEILLEUSE ET DU BRÛLEUR PRINCIPAL DOIT SE FAIRE AVEC LA PORTE VITRÉE ENLEVÉE. NE RACCORDEZ PAS LA SOUPAPE OU L'INTERRUPTEUR MURAL À L'ÉLECTRICITÉ. CONSULTEZ LES INSTRUCTIONS D'INSTALLATION.</p> <p>A. CET APPAREIL EST MUNI D'UN DISPOSITIF D'ALLUMAGE QUI ALLUME AUTOMATIQUEMENT LA VEILLEUSE. NE TENTEZ PAS D'ALLUMER LA VEILLEUSE MANUELLEMENT.</p> <p>B. AVANT DE FAIRE FONCTIONNER, RENIFLEZ TOUT AUTOUR DE L'APPAREIL POUR DÉCELER UN ODEUR DE GAZ. RENIFLEZ PRÈS DU PLANCHER, CAR CERTAINS GAZ SONT PLUS LOURDS QUE L'AIR ET PEUVENT S'ACCUMULER AU NIVEAU DU SOL.</p> <p>QUE FAIRE SI VOUS DÉTECTEZ UNE ODEUR DE GAZ:</p> <ul style="list-style-type: none"> • COUPEZ L'ALIMENTATION DE GAZ PRINCIPALE. • OUVREZ LES FENÊTRES. • NE PAS TENTER D'ALLUMER D'APPAREIL. • NE TOUCHEZ À AUCUN INTERRUPTEUR; NE PAS VOUS SERVIR DES TÉLÉPHONES SE TROUVANT DANS LE BÂTIMENT. • APPELÉZ IMMÉDIATEMENT VOTRE FOURNISSEUR DE GAZ DEPUIS UN VOISIN. SUIVEZ LES INSTRUCTIONS DU FOURNISSEUR. • SI VOUS NE POUVEZ REJOINDRE LE FOURNISSEUR APPELÉZ LE SERVICE DES INCENDIES. <p>C. N'ESSAYEZ PAS DE RÉPARER AUCUNE PIÈCE DE CET ASSEMBLAGE. APPELÉZ UN TECHNICIEN QUALIFIÉ. FORCER OU TENTER DE RÉPARER L'ASSEMBLAGE POURRAIT CAUSER UN FEU OU UNE EXPLOSION.</p> <p>D. N'UTILISEZ PAS CET APPAREIL S'IL A ÉTÉ PLONGÉ DANS L'EAU, MÊME PARTIELLEMENT. FAITES INSPECTER L'APPAREIL PAR UN TECHNICIEN QUALIFIÉ ET REMPLACEZ TOUTE PARTIE DU SYSTÈME DE CONTRÔLE ET TOUTE COMMANDE QUI ONT ÉTÉ PLONGÉS DANS L'EAU.</p>
----------------------------------------------------------------------------------------------------------------------------------------------------------------------------------------------------------------------------------------------------------------------------------------------------------------------------------------------------------------------------------------------------------------------------------------------------------------------------------------------------------------------------------------------------------------------------------------------------------------------------------------------------------------------------------------------------------------------------------------------------------------------------------------------------------------------------------------------------------------------------------------------------------------------------------------------------------------------------------------------------------------------------------------------------------------------------------------------------------------------------------------------------------------------------------------------------------------------------------------------------------------------------------------------------------------------------------------------------------------------------------------------------------------------------------------------------------------------------------------------------------------------------------------------------------------------------------------------------------------------------	------------------------------------------------------------------------------------------------------------------------------------------------------------------------------------------------------------------------------------------------------------------------------------------------------------------------------------------------------------------------------------------------------------------------------------------------------------------------------------------------------------------------------------------------------------------------------------------------------------------------------------------------------------------------------------------------------------------------------------------------------------------------------------------------------------------------------------------------------------------------------------------------------------------------------------------------------------------------------------------------------------------------------------------------------------------------------------------------------------------------------------------------------------------------------------------------------------------------------------------------------------------------------------------------------------------------------------------------------------------------------------------------------------------------------------------------------------------------------------------------------------------------------------------------------------------------------------------------------------------------------------------------------------------------------------------------------------------------------------------------------------------------------------------------------------------------------------------------------------------------------------------------------------------

W385-0460 / E

LIGHTING INSTRUCTIONS / INSTRUCTIONS D'ALLUMAGE

<ol style="list-style-type: none"> 1. STOP! READ ALL INFORMATION OF OPERATING AND LIGHTING INSTRUCTIONS BEFORE PROCEEDING. 2. TURN OFF ELECTRICAL POWER TO THE APPLIANCE. 3. THIS APPLIANCE IS EQUIPPED WITH AN IGNITION DEVICE WHICH AUTOMATICALLY LIGHTS THE PILOT. DO NOT TRY TO LIGHT THE PILOT BY HAND. 4. OPEN THE GLASS DOOR. 5. TURN MANUAL SHUTOFF VALVE CLOCKWISE TO OFF. 6. WAIT FIVE (5) MINUTES TO CLEAR OUT ANY GAS. IF YOU SMELL GAS, INCLUDING NEAR THE FLOOR, STOP! FOLLOW "B" OF THE OPERATING INSTRUCTIONS. IF YOU DON'T SMELL GAS, GO TO THE NEXT STEP. 7. TURN MANUAL SHUTOFF VALVE COUNTER-CLOCKWISE TO ON. 8. CLOSE THE GLASS DOOR. 9. TURN ON ALL ELECTRICAL POWER TO THE APPLIANCE. 10. TURN ON MAIN BURNER. 	<ol style="list-style-type: none"> 1. ARRÊTEZ! LISEZ TOUTES LES INSTRUCTIONS DE FONCTIONNEMENT ET D'ALLUMAGE AVANT DE CONTINUER. 2. COUPEZ L'ALIMENTATION ÉLECTRIQUE À L'APPAREIL. 3. CET APPAREIL EST MUNI D'UN DISPOSITIF D'ALLUMAGE QUI ALLUME LA VEILLEUSE AUTOMATIQUEMENT. N'ESSAYEZ PAS D'ALLUMER LA VEILLEUSE MANUELLEMENT. 4. OUVREZ LA PORTE VITRÉE. 5. TOURNEZ LA SOUPAPE DE SECTIONNEMENT MANUELLE VERS LA DROITE À « OFF ». 6. ATTENDEZ CINQ (5) MINUTES POUR QUE LE GAZ PUISSE S'ÉCHAPPER. SI VOUS DÉTECTEZ UNE ODEUR DE GAZ, ARRÊTEZ! SUIVEZ « B » DANS LES INSTRUCTIONS DE FONCTIONNEMENT. S'IL N'Y A PAS D'ODEUR DE GAZ, PASSEZ À L'ÉTAPE SUIVANTE. 7. TOURNEZ LA SOUPAPE DE SECTIONNEMENT MANUELLE VERS LA GAUCHE À « ON ». 8. FERMEZ LA PORTE VITRÉE. 9. RÉTABLISSEZ L'ALIMENTATION ÉLECTRIQUE AU FOYER. 10. ALLUMEZ LE BRÛLEUR PRINCIPAL.
-------------------------------------------------------------------------------------------------------------------------------------------------------------------------------------------------------------------------------------------------------------------------------------------------------------------------------------------------------------------------------------------------------------------------------------------------------------------------------------------------------------------------------------------------------------------------------------------------------------------------------------------------------------------------------------------------------------------------------------------------------------------------------------------------------------------------------------------------------	------------------------------------------------------------------------------------------------------------------------------------------------------------------------------------------------------------------------------------------------------------------------------------------------------------------------------------------------------------------------------------------------------------------------------------------------------------------------------------------------------------------------------------------------------------------------------------------------------------------------------------------------------------------------------------------------------------------------------------------------------------------------------------------------------------------------------------------------------------------------------------------------------------------------------------------------------------------------------



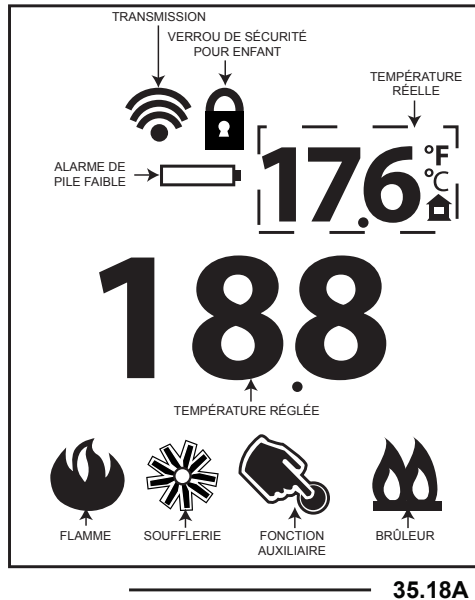
ELECTRODE
FLAME SENSOR

TO TURN OFF GAS / INSTRUCTIONS POUR COUPER LE GAZ

<ol style="list-style-type: none"> 1. TURN OFF ALL ELECTRICAL POWER TO THE APPLIANCE IF SERVICE IS TO BE PERFORMED. 2. TURN MANUAL SHUTOFF VALVE CLOCKWISE TO OFF. DO NOT FORCE. 	<ol style="list-style-type: none"> 1. COUPEZ L'ALIMENTATION ÉLECTRIQUE AU FOYER SI UN TRAVAIL D'ENTRETIEN DOIT SE FAIRE. 2. TOURNEZ LA SOUPAPE D'ARRÊT MANUELLE VERS LA DROITE À « OFF ». NE FORCEZ PAS.
-----------------------------------------------------------------------------------------------------------------------------------------------------------------------------------------------------------	-----------------------------------------------------------------------------------------------------------------------------------------------------------------------------------------------------------------------------------

W385-0460 / E

6.2 DESSIN GÉNÉRAL DE LA TÉLÉCOMMANDE



6.3 FONCTIONNEMENT DE L'APPAREIL

- Installez 4 piles AA dans le compartiment à piles du récepteur, tel qu'indiqué sur le couvercle (+/-). (Requis uniquement en tant qu'élément de secours en cas de panne de courant.) Bien qu'il soit possible de brancher un ensemble de piles de 6 V (n'utilisez pas de piles de 9 V), il n'est pas conseillé de l'utiliser pour le fonctionnement du système de commande à distance.
- Réglez l'interrupteur à glissière à « REMOTE ».
- Insérez le bout d'un trombone, ou d'un objet similaire, dans le trou « PRG » situé sur le couvercle avant du récepteur. Le récepteur émettra trois (3) bips pour indiquer qu'il est prêt à être synchronisé avec la télécommande.
- Installez les 3 piles AAA dans le compartiment à piles de la télécommande qui se trouve sur la base de la télécommande. Appuyez ensuite sur la touche « ON ». Le récepteur émettra quatre (4) bips pour indiquer que la commande de la télécommande est acceptée et réglée au code spécifique de cette télécommande. Le système est maintenant initialisé.

35.3

6.4 FONCTIONNEMENT DE LA TÉLÉCOMMANDE

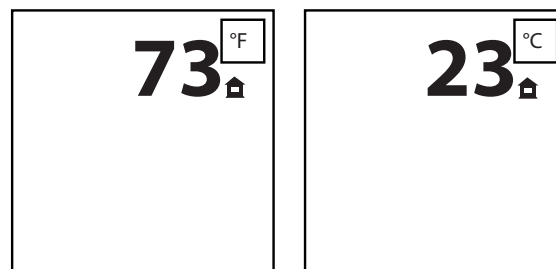
- Appuyez sur la touche « ON/OFF » de la télécommande. L'afficheur de la télécommande affichera toutes les icônes actives à l'écran. Un bip unique du récepteur confirmera la réception de la commande.



35.4

6.5 AFFICHEUR DE TEMPÉRATURE

- A. Avec le système en position «OFF», appuyez simultanément sur les touches «TEMPÉRATURE» et «MODE» pour passer de l'affichage de la température en Fahrenheit à Celsius.
- B. Vérifiez l'afficheur ACL de la télécommande pour vous assurer que le C ou le F est visible à la droite de l'affichage de la température de la pièce.

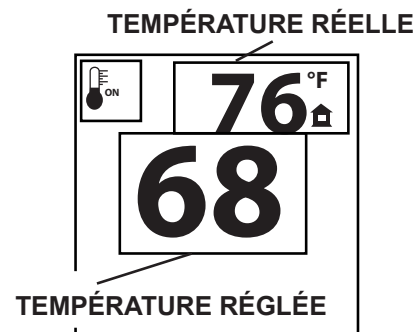


35.5A

6.6 THERMOSTAT DE PIÈCE

La télécommande peut fonctionner comme un thermostat de pièce. Le thermostat peut être réglé à une température désirée pour contrôler le niveau de confort dans la pièce.

- A. Appuyez sur la touche «THERMOSTAT». L'afficheur ACL de la télécommande indiquera que la pièce est «ON» et la température réglée est maintenant affichée.
- B. Pour ajuster la température réglée, appuyez sur la touche haut/bas jusqu'à ce que la température désirée s'affiche sur l'écran ACL de la télécommande.

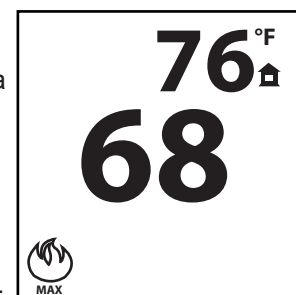


35.6

6.7 THERMOSTAT SMART

La fonction «Smart Thermostat» (thermostat intelligent) ajuste la hauteur de la flamme selon la différence entre la température réglée et la température réelle de la pièce. Alors que la température de la pièce s'approche à celle du point de réglage, la fonction Smart ajustera automatiquement la hauteur de la flamme.

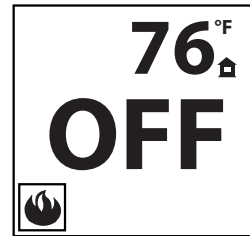
- A. Appuyez sur la touche «THERMOSTAT» jusqu'à ce que le mot «SMART» apparaisse à la droite de l'icône de thermomètre
- B. Pour ajuster la température réglée, appuyez sur la touche haut/bas jusqu'à ce que la température désirée s'affiche sur l'écran ACL de la télécommande.



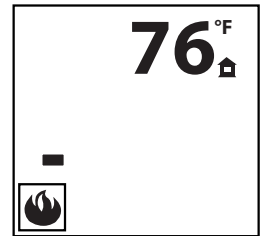
35.7

6.8 HAUTEUR DE LA FLAMME

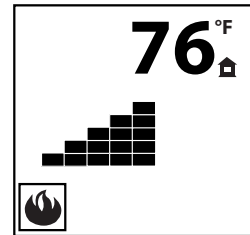
La télécommande comporte six (6) niveaux de flammes. Avec le système en marche et le niveau de la flamme au maximum, appuyez une fois sur la touche bas et cela réduira la hauteur de la flamme d'un niveau jusqu'à ce que la flamme soit éteinte. La touche haut augmentera la hauteur de la flamme chaque fois qu'elle est enfoncée. Si la touche haut est enfoncée lorsque le système est en marche, mais que la flamme est éteinte, la flamme s'allumera en position élevée. Un seul bip confirmera la réception de la commande.



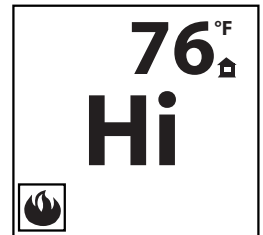
FLAMME ÉTEINTE



FLAMME AU NIVEAU 1



FLAMME AU NIVEAU 5

FLAMME AU NIVEAU 6
« HAUT »

35.8

6.9 FONCTION DE SÉCURITÉ POUR ENFANTS

Cette fonction verrouillera les touches pour empêcher une utilisation non supervisée.

- A. Appuyez simultanément sur les touches « MODE » et haut.
- B. Pour désactiver cette fonction, appuyez simultanément sur les touches «MODE» et haut.



35.10A

6.10 LUMIÈRE DE VEILLE

La fonction auxiliaire règle la prise d'alimentation auxiliaire du Module de contrôle qui, à son tour, ajuste la lumière de veille.

- A. Utilisez la touche « MODE » pour vous guider vers l'icône « AUX ».
- B. Appuyez sur la touche fléchée haut pour activer la lumière de veille.
- C. Appuyez sur la touche fléchée bas pour éteindre la lumière de veille. Un bip unique confirmera la réception de la commande.



35.12

6.11 PILES FAIBLES / DÉRIVATION MANUELLE

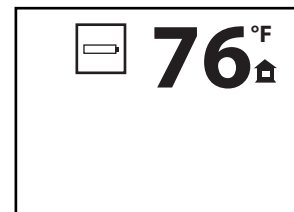
La durée de vie des piles de la télécommande dépend de plusieurs facteurs : la qualité des piles, le nombre d'allumage de l'appareil, le nombre de changements du point de réglage du thermostat, etc.

Dès que les piles de la télécommande sont faibles, l'écran ACL affiche une icône de pile. Celle-ci disparaît lorsque vous remplacez les piles.

Ne s'applique pas lorsque branché à l'alimentation 110 V.

Le récepteur vous avisera que ses piles sont faibles en n'émettant aucun bip lorsqu'il reçoit une commande « ON/OFF ». Dès que les piles seront remplacées, le récepteur émettra à nouveau un bip lorsque la touche « ON/OFF » sera enfoncée.

Si les piles du récepteur ou de la télécommande sont faibles, l'appareil peut être mis en marche manuellement en glissant l'interrupteur à glissière du récepteur à la position « ON ». Cela contournera les fonctions de la télécommande et le brûleur principal de l'appareil se mettra en marche si la soupape de gaz est à la position « ON ».



35.13A

6.12 EN CAS DE PANNE DE COURANT

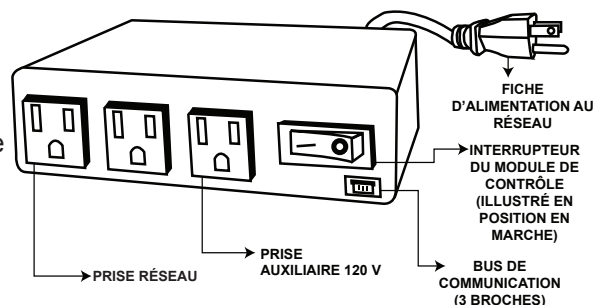
Si le récepteur est muni de piles, celles-ci permettront au contrôle de la hauteur de la flamme, au bouton « ON/OFF » ou au thermostat de contrôler le foyer, lorsque survient une panne électrique. Reportez-vous à la section « FONCTIONNEMENT DE L'APPAREIL » lorsque les communications entre le récepteur et la télécommande sont rompues. Le récepteur émettra un bip pour confirmer la réussite de la programmation une fois que le courant est rétabli. Si le foyer était en marche au moment de la panne de courant, la hauteur de la flamme conservera son réglage. Si le foyer était éteint au moment de la panne, mais qu'il est allumé par la suite, la hauteur de la flamme sera à « HI ». La hauteur de la flamme peut alors être ajustée par la télécommande.

35.14A

6.13 MODULE DE CONTRÔLE

Le module de contrôle offre une prise 120 V AUX télécommandée pour la lumière de veille et une prise 120 V à alimentation constante.

NOTE : L'interrupteur « ON/OFF » du module de contrôle devrait toujours être à la position « ON ». Si pour une raison quelconque le module est éteint, les composants branchés au module n'auront aucune alimentation électrique.

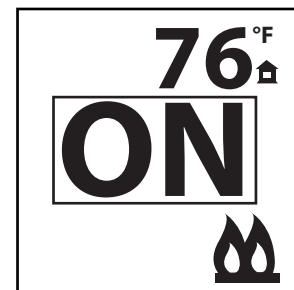
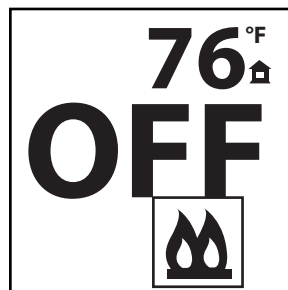


35.16

6.14 SOUPAPE À DÉBIT DIVISÉ

La fonction brûleur contrôle la mise en marche et l'arrêt du deuxième brûleur.

- Utilisez la touche « MODE » pour vous guider vers la fonction brûleur.
- Appuyez sur la touche haut pour activer le deuxième brûleur.
- Appuyez sur la touche bas pour éteindre le deuxième brûleur. Un seul bip confirmera la réception de la commande.

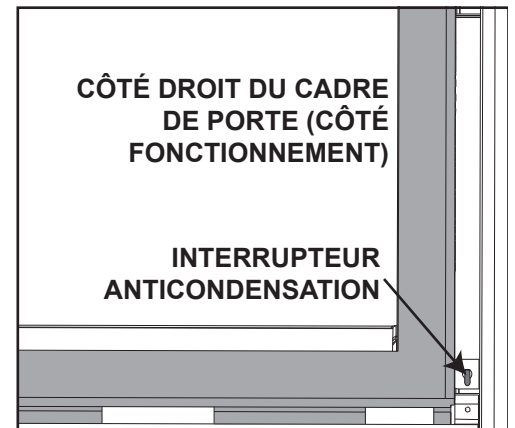


NOTE: Il n'est pas possible de contrôler la hauteur des flammes séparément.

35.17

6.15 L'INTERRUPTEUR ANTICONDENSATION

Cet appareil a la possibilité de passer d'un mode de veilleuse électronique à allumage intermittent à un mode de veilleuse permanente pour les climats froids.



FR

6.16 MINUTERIE DE SOUFLERIE

Votre télécommande est munie d'une minuterie intégrée (en mode thermostat) qui permet d'allumer et d'éteindre la soufflerie automatiquement (si équipé) lorsque le brûleur s'allume et s'éteint. La vitesse de la soufflerie étant déjà réglée sur la télécommande à la vitesse désirée, la soufflerie se mettra en marche environ 5 minutes après l'allumage du brûleur et s'arrêtera environ 12 minutes après la fermeture du brûleur. Ce délai d'attente est conçu pour maximiser la distribution d'air chaud par la soufflerie.

Si à un moment ou l'autre le brûleur est réallumé avant que les douze minutes ne soient écoulées, la soufflerie continuera de fonctionner.

NOTE : Lors de la séquence d'opération, la soufflerie (si équipé) peut être manuellement allumée/ fermée avec la télécommande à tout moment.

35.19B

7.0 RÉGLAGES

7.1 RÉGLAGE DE LA VEILLEUSE

Ajustez la vis de la veilleuse pour obtenir une flamme de taille normale. Tournez vers la droite pour réduire l'apport de gaz.

VÉRIFIER LA PRESSION :

Pour vérifier la pression d'arrivée, tournez la vis (A) vers la gauche deux à trois tours, puis emboîtez le tube du manomètre sur la pointe d'essai. Le manomètre doit indiquer la pression comme décrit sur le diagramme ci-dessous. Vérifier la pression avec brûleur principal sur « HI ».

La vérification de la pression de sortie s'effectue comme ci-dessus en utilisant la vis (B). Le manomètre doit indiquer la pression comme décrit sur le diagramme ci-dessous. Vérifier la pression avec brûleur principal sur « HI ».

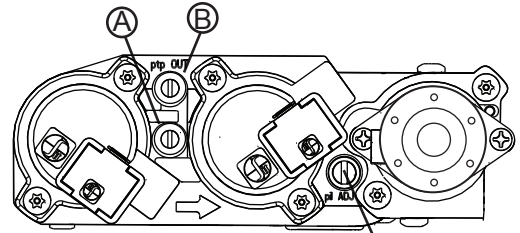
APRÈS AVOIR PRIS LA LECTURE DES PRESSIONS, ASSUREZ-VOUS DE TOURNER FERMEMENT LES VIS VERS LA DROITE POUR SCELLER. NE SEREZ PAS TROP FORT.

Vérifiez pour des fuites en appliquant une solution d'eau savonneuse.

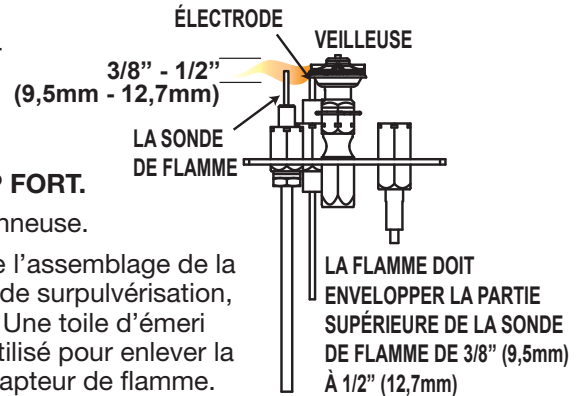
Avant d'effectuer le réglage de la veilleuse, assurez-vous que l'assemblage de la veilleuse n'a pas été peint. S'il y a des traces de peinture ou de surpulpvrisation, enlevez-les de l'assemblage de la veilleuse ou remplacez-le. Une toile d'émeri ou un tampon récurage (comme Scotch-Brite™) peut être utilisé pour enlever la peinture sur la hotte de la veilleuse, sur l'électrode et sur le capteur de flamme.

* Pression d'alimentation maximale ne devait ne pas dépasser 13"

Pression	Gaz Naturel (pouces)	Gaz Naturel (millibars)	Propane (pouces)	Propane (millibars)
Arrivée	*7" (min.4,5")	17,4 mb (min.11,2mb)	13" (min.11")	32,4 mb (min.27,4mb)
Sortie	3,5"	8,7 mb	10"	24,9 mb



VIS DE LA VEILLEUSE



LA FLAMME DOIT ENVELOPPER LA PARTIE SUPÉRIEURE DE LA SONDE DE FLAMME DE 3/8" (9,5mm) À 1/2" (12,7mm)

7.2 RÉGLAGE DU VENTURI

L'ouverture du volet d'air a été préréglée en usine selon le tableau ci-dessous :

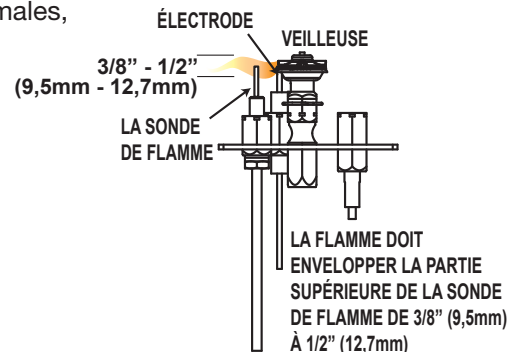
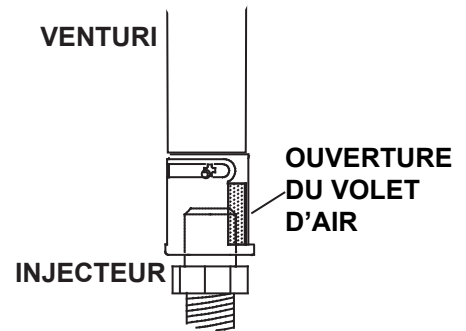
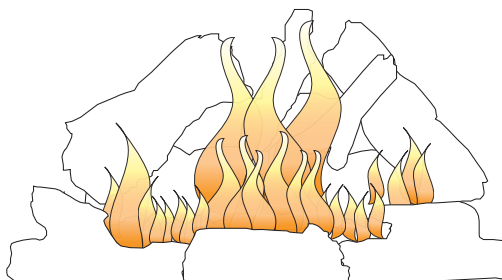
Indépendamment de l'orientation du venturi, plus le volet est fermé, plus la flamme est jaune et aura tendance à causer des dépôts de carbone. Plus le volet est ouvert, plus la flamme est bleue et plus elle a tendance à se détacher des orifices du brûleur. La flamme peut ne pas être jaune immédiatement; allouez de 15 à 30 minutes pour que la couleur finale de la flamme se stabilise.

LE RÉGLAGE DU VOLET D'AIR DOIT ÊTRE EXÉCUTÉ PAR UN TECHNICIEN OU INSTALLATEUR QUALIFIÉ!

XIR4-1	AVANT	ARRIÈRE
GN	1/4" (3,4mm)	1/8" (3,2mm)
PL	5/8" (16mm)	1/4" (3,4mm)

7.3 CARACTÉRISTIQUES DE LA FLAMME

Il est important d'effectuer périodiquement une inspection visuelle de la flamme de la veilleuse et du brûleur. Comparez-les à ces illustrations. Si des flammes paraissent anormales, contactez un technicien de service.



LA FLAMME DOIT ENVELOPPER LA PARTIE SUPÉRIEURE DE LA SONDE DE FLAMME DE 3/8" (9,5mm) À 1/2" (12,7mm)

8.0 ENTRETIEN

! AVERTISSEMENT
COUPEZ L'ALIMENTATION EN GAZ ET L'ALIMENTATION ÉLECTRIQUE AVANT DE PROCÉDER À L'ENTRETIEN DE L'APPAREIL.
L'APPAREIL PEUT ÊTRE CHAUD. ATTENDEZ QU'IL SOIT REFROIDI AVANT D'EN FAIRE L'ENTRETIEN.
N'UTILISEZ PAS DE PRODUITS ABRASIFS.
NE PEINTURE PAS L'ASSEMBLAGE DU VEILLEUSE.

Assurez-vous que l'appareil fonctionne adéquatement une fois l'entretien terminé. Cet appareil et son système d'évacuation devraient être inspectés avant la première utilisation et au moins une fois l'an par un technicien de service qualifié. Les vérifications suggérées doivent être effectuées par un technicien qualifié. L'espace entourant l'appareil doit être gardé propre et libre de matériaux combustibles, d'essence ou autres liquides et vapeurs inflammables. Les apports d'air comburant et d'air de convection ne doivent pas être obstrués.

ATTENTION : Lors de l'entretien des contrôles, assurez-vous d'identifier chacun des fils avant de les débrancher. Une réinstallation incorrecte des fils peut occasionner un mauvais fonctionnement et être dangereuse.

- A.** Pour nettoyer le brûleur principal et la veilleuse adéquatement, il faut retirer les bûches, les roches ou la vitre afin de dégager les deux ensembles.
- B.** Gardez le compartiment des contrôles, les composants décoratifs, le brûleur, le volet d'air et l'espace entourant les bûches propres en brossant ou en passant l'aspirateur au moins une fois l'an.
- C.** Assurez-vous que tous les orifices des brûleurs produisent des flammes. Nettoyez tous les orifices qui n'ont pas de flamme ou dont la flamme ne brûle pas adéquatement.
- D.** Assurez-vous que la flamme de la veilleuse est assez puissante pour envelopper la sonde de flamme et/ou le thermocouple/thermopile et qu'elle atteigne le brûleur.
- E.** Remettez en place les bûches, les roches ou la vitre nettoyées, si équipé. Omettre de positionner les composants décoratifs adéquatement peut causer des dépôts de carbone qui peuvent se déposer à l'intérieure de la chambre de combustion et sur les surfaces extérieures entourant d'évent.
- F.** Vérifiez si le brûleur principal allume sur tous les orifices lorsque le bouton de contrôle du gaz est à « ON ». Un temps d'allumage total de 5 à 10 secondes est satisfaisant. Service selon les besoins.
- G.** Vérifiez si les joints d'étanchéité sur les côtés, le haut et le bas de la porte ne sont pas brisés ou manquants. Remplacez si nécessaire.
- H.** Si pour une raison quelconque le système d'évents de prise d'air est démonté, réinstallez et rescellez-le selon les instructions fournies dans l'installation initiale.
- I.** Il est possible que l'écran de protection (pare-étincelles) nécessite un nettoyage occasionnel en raison des peluches/poussières provenant des tapis, des animaux, etc. il suffit de passer l'aspirateur à l'aide de l'embout avec une brosse.
- J.** Vérifiez si le système de décharge effectue efficacement. Vérifiez si les joints d'étanchéité ne sont pas brisés ou manquants. Remplacez si nécessaire.

40.1E

FR



8.1 ENTRETIEN ANNUEL

! AVERTISSEMENT

LE CAISSON DEVIENT TRÈS CHAUD LORS DU FONCTIONNEMENT. LAISSEZ L'APPAREIL SE REFROIDIR COMPLÈTEMENT OU PORTEZ DES GANTS ANTICHALEUR AVANT D'EFFECTUER L'ENTRETIEN.

NE JAMAIS ASPIRER DES BRAISES QUI SONT CHAUDES.

NE PEINTUREZ PAS L'ASSEMBLAGE DE LA VEILLEUSE.

- Cet appareil nécessite un entretien qui devra être effectué sur une base annuelle.
- L'entretien devrait inclure un nettoyage, le remplacement des piles, une inspection du système d'évent, du brûleur, des éléments décoratifs internes et de la chambre de combustion. Consultez la section pour l'enlèvement de la porte et retirez la porte comme indiqué.
- Enlevez soigneusement les éléments décoratifs internes s'il y a lieu (bûches, braises de verre, panneaux de brique, etc.)
- À l'aide d'un aspirateur muni d'une brosse souple, aspirez les saletés, les débris et les dépôts de carbone sur les bûches, la chambre de combustion et le brûleur. Pour les braises de verre, suivez les instructions de prénettoyage.
- Enlevez aussi tout dépôt se trouvant sur l'assemblage de la veilleuse et aussi, s'il y a lieu, sur la thermopile, le thermocouple, le capteur de flamme et l'allumeur. **NOTE: Vous devrez nettoyer le capteur de flamme à l'aide d'un morceau de laine d'acier ou un tampon récurage (Scotch-Brite™) afin de retirer toute trace d'oxydation. Nettoyez l'assemblage du pilote à l'aide d'un aspirateur muni d'une brosse souple. Il est important de ne pas peindre l'assemblage de la veilleuse.**
- Inspectez tous les joints d'étanchéité accessibles et remplacez-les au besoin.
- Accédez à la soufflerie, s'il y a lieu, puis nettoyez à l'aide d'une brosse souple et d'un aspirateur.
- Réinstallez tous les composants dans l'ordre inverse.
- Inspectez le système de surpression. L'appareil dissipe la pression par la porte vitrée ou par les clapets sur le dessus du caisson. Assurez-vous qu'ils ouvrent sans restriction et qu'ils ferment de façon étanche.
- Vérifiez si la soupape de gaz de la veilleuse et les boutons Hi / Lo bougent librement (s'il y a lieu) - remplacez si vous constatez de la rigidité dans le mouvement.
- Vérifiez tous les branchements du gaz pour des fuites de gaz, en amont et en aval de la soupape de gaz incluant les connexions du tube de la veilleuse.

37.1E

8.2 SOINS DE LA VITRE

NE PAS NETTOYER LA VITRE LORSQU'ELLE EST CHAUDE! N'EMPLOYEZ PAS DE DÉTERGENTS ABRASIFS POUR NETTOYER LA VITRE.

Polissez légèrement à l'aide d'un linge propre et sec. Nettoyez les deux côtés de la vitre avec un nettoyeur recommandé après les dix premières heures de fonctionnement. Ne pas utiliser un nettoyant pour vitre du foyer à base d'ammoniaque. Par la suite, nettoyez aussi souvent qu'il le faudra, sinon la vitre risque de rester marquée en permanence.

! AVERTISSEMENT

LA VITRE CHAUDE CAUSERA DES BRÛLURES.

NE PAS TOUCHER LA VITRE AVANT QU'ELLE AIT REFROIDI.

NE JAMAIS LAISSER LES ENFANTS TOUCHER LA VITRE.



5.1A

L'appareil est muni d'une 5mm en verre céramique Remplacez uniquement avec une pièce pour le foyer disponible chez votre détaillant autorisé. N'UTILISEZ PAS DE MATÉRIAUX SUBSTITUTS.

5.5.1A

8.3 SOINS DES PIÈCES PLAQUÉES

Si l'appareil est muni de pièces plaquées, vous devez enlever toutes traces de doigts ou autres marques des surfaces plaquées avant d'allumer l'appareil pour la première fois. Utilisez un nettoyant à vitres ou du vinaigre et un linge pour nettoyer. Si la surface plaquée n'est pas bien nettoyée avant le premier allumage de l'appareil, elle risque de rester marquée en permanence. Une fois que la surface plaquée aura chauffé, les traces de doigts et le gras n'affecteront plus la surface et très peu d'entretien sera requis; vous n'aurez qu'à l'essuyer au besoin. Une combustion prolongée à haute température avec la porte ouverte peut causer une décoloration des pièces plaquées.

NOTE: L'emballage de protection sur les pièces plaquées s'enlève mieux lorsque l'assemblage est à température ambiante ou lorsqu'il est chauffé avec un séchoir à cheveux ou une autre source de chaleur similaire.

6.1

8.4 REMPLACEMENT DE LA VITRE DE PORTE

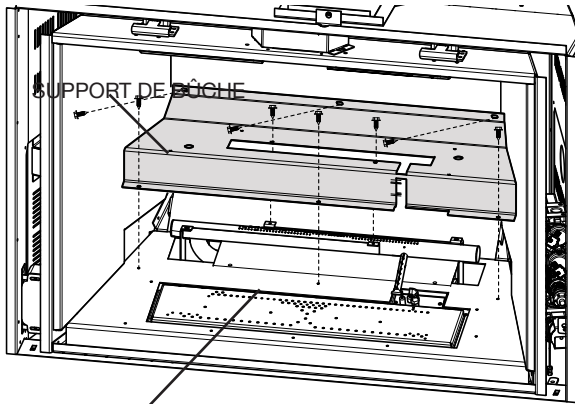
! AVERTISSEMENT
N'UTILISEZ PAS DE MATÉRIAUX DE SUBSTITUTION.
LA VITRE PEUT ÊTRE CHAUDE, NE TOUCHEZ PAS LA VITRE JUSQU'À CE QU'ELLE AIT REFROIDI.
UTILISEZ DE PRUDENCE LORSQUE VOUS ENLEVEZ ET JETEZ DES DÉBRIS DE VERRE OU DES COMPOSANTS ENDOMMAGÉS. ASSUREZ-VOUS D'ASPIRER TOUS LES DÉBRIS DE VERRE À L'INTÉRIEUR DE L'APPAREIL AVANT DE LE FAIRE FONCTIONNER.
NE FRAPPEZ PAS, NE CLAQUEZ PAS ET N'ÉGRATIGNEZ PAS LA PORTE VITRÉE. NE FAITES PAS FONCTIONNER L'APPAREIL LORSQUE LA PORTE VITRÉE EST ENLEVÉE, FISSURÉE, BRISÉE OU ÉGRATIGNÉE.

Ensemble de verre/cadre de remplacement est remplacé comme une unité complète telle que fournie par le fabricant de l'appareil.

56.1C

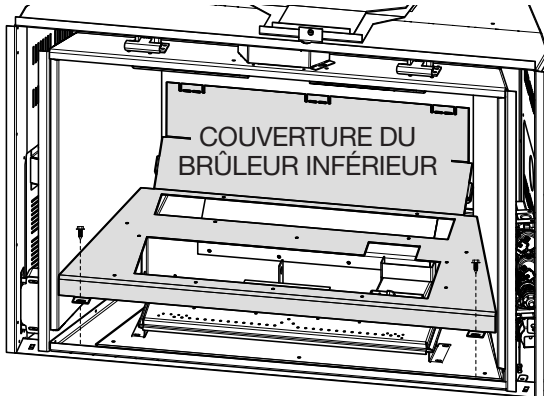
8.5 ENLÈVEMENT DU BRÛLEUR

- A. Enlevez la porte vitrée, voir la section « ENLÈVEMENT ET INSTALLATION DE LA PORTE FINITIONS ». Retirez les bûches, voir la section «

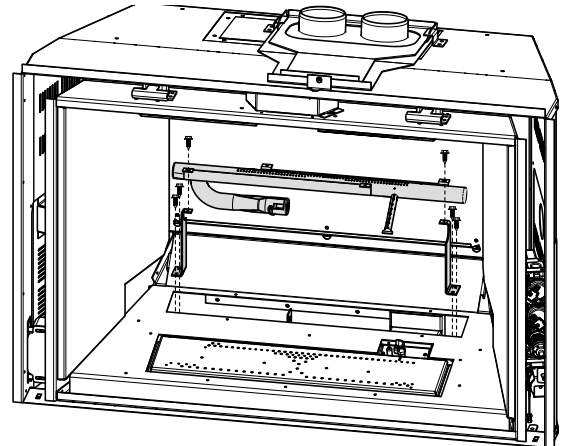


PLAQUE DE RECOUVREMENT

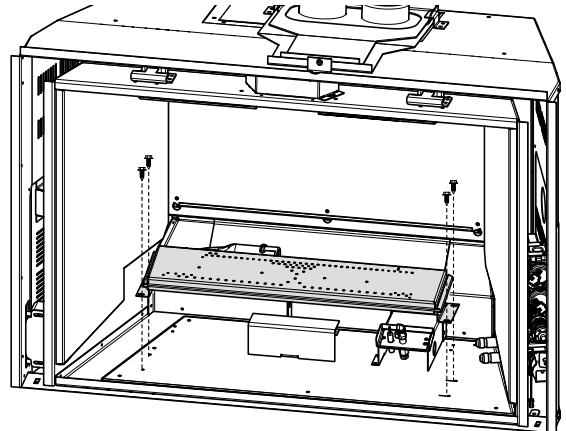
- B. Retirez les 8 vis servant à fixer le support à bûche arrière. Soulevez le support puis retirez-le. Enlever les 4 vis servant à fixer la plaque de recouvrement en place.



- D. Retirez les 2 vis servant à fixer le couvercle du brûleur inférieur en place puis retirez-le hors de derrière de la collecteur, puis de retirez de l'appareil.



- C. Retirez les 2 vis servant à fixer le brûleur tubulaire arrière. Soulevez le brûleur puis retirez-le. Puis retirez les 4 vis servant à fixer les deux supports du brûleur en place.



- E. Retirez les 4 vis servant à fixer le brûleur à plateau. Soulevez le brûleur puis retirez-le.

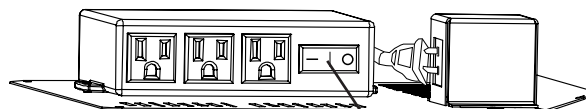
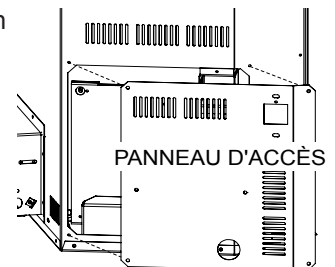
8.6 REMPLACEMENT DU MODULE SOUFFLEUR

! AVERTISSEMENT

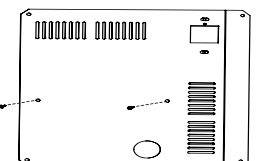
COUPEZ L'ALIMENTATION EN GAZ ET L'ALIMENTATION ÉLECTRIQUE AVANT DE PROCÉDER À L'ENTRETIEN DE L'APPAREIL.

L'APPAREIL PEUT ÊTRE CHAUD. ATTENDEZ QU'IL SOIT REFROIDI AVANT D'EN FAIRE L'ENTRETIEN.

- A. Pour accéder au module de la soufflerie, vous devez d'abord sortir l'appareil afin d'allouer suffisamment d'espace pour accéder au panneau d'accès gauche.
- B. Enlevez les vis servant à fixer le panneau d'accès.
- C. Débranchez le module de la soufflerie de la boîte de dérivation. Débranchez la fiche de la lumière de veille et la fiche de la soufflerie (s'il y a lieu) du module de la soufflerie.
- D. Retirez les 2 vis qui servent à fixer le module de la soufflerie au panneau d'accès puis remplacez. **NOTE : Assurez-vous que l'interrupteur MARCHÉ/ARRÊT soit à « ON » (-).**
- E. Réinstallez les fiches et le panneau d'accès.



L'INTERRUPTEUR MARCHÉ/ARRÊT



8.7 REMPLACEMENT DE LA LUMIÈRE DE VEILLE

Votre appareil est muni d'une lumière de veille. La lumière de veille est précâblée et est contrôlée par la télécommande. Si vous devez remplacer l'ampoule ou la lentille, suivez les instructions suivantes:

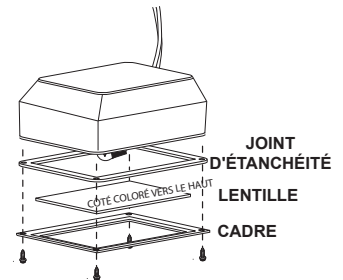
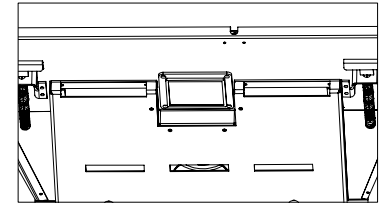
- A. Débranchez le module de la soufflerie de la boîte de dérivation situé derrière le panneau d'accès gauche.
- B. Retirez les quatre vis qui retiennent le cadre de la lentille. Ce cadre retient la lentille de verre. Vous pouvez maintenant accéder à l'ampoule.

NOTE: Ne manipulez pas l'ampoule à main nue; protégez-la avec un linge propre et sec.

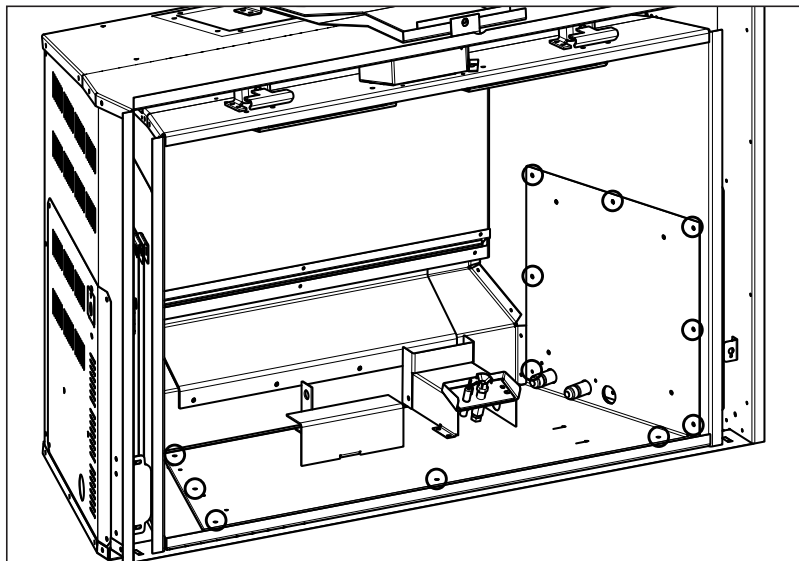
L'ampoule s'enlève en la tirant hors de la douille. Remplacez par des pièces Wolf Steel uniquement, car l'ampoule et la lentille sont des produits spécialement conçus pour les hautes températures. Lors de la réinstallation, vérifiez l'intégrité du joint d'étanchéité.

LA CHAMBRE DE COMBUSTION DOIT ÊTRE SCELLÉE.

Le serrage excessif des vis risque de briser la lentille. Il est possible que des « fuites de lumière » soient visibles au niveau de la zone supérieure. Les trous dans le boîtier de la lumière sont nécessaires à la ventilation et ne doivent pas être couverts.



8.8 REMPLACEMENT DE L'ASSEMBLAGE DE LA SOUPE



- A. Retirez la porte vitrée. Voir la section « ENLÈVEMENT ET INSTALLATION DE LA PORTE ». Retirez les brûleurs, voir la section « ENLÈVEMENT DU BRÛLEUR ».
- B. Retirez les 14 vis servant à fixer l'assemblage de la soupape.
NOTE : Il est possible qu'un nouveau joint d'étanchéité soit nécessaire lors de la réinstallation de l'assemblage de la soupape. Contactez votre détaillant local autorisé.
- C. Soulevez l'assemblage de la soupape avec soin, suffisamment loin pour accéder à la soupape d'arrêt manuelle puis tournez-la à « OFF ». Débranchez le raccord flexible de la soupape. Vous pouvez maintenant retirer l'assemblage de la soupape de l'appareil.

9.0 RECHANGES

AVERTISSEMENT

OMETTRE DE POSITIONNER LES PIÈCES CONFORMÉMENT À CE MANUEL OU D'UTILISER UNIQUEMENT DES PIÈCES SPÉCIFIQUEMENT APPROUVÉES POUR CET APPAREIL PEUT CAUSER DES DOMMAGES MATÉRIELS OU DES BLESSURES CORPORELLES.

Contactez votre détaillant pour les questions concernant les prix et la disponibilité des pièces de rechange. Normalement, toutes les pièces peuvent être commandées chez votre détaillant autorisé.

POUR UN REMPLACEMENT DE PIÈCE SOUS GARANTIE, UNE PHOTOCOPIE DE LA FACTURE ORIGINALE SERA REQUISE AFIN DE POUVOIR HONORER LA DEMANDE.

Lorsque vous commandez des pièces, donnez toujours l'information suivante :

- Modèle et numéro de série de l'appareil
- Date d'installation de l'appareil
- Numéro de la pièce
- Description de la pièce
- Fini

PIÈCES, NUMÉRO DES PIÈCES ET S'IL SOIT DISPONIBILITÉ PEUT CHANGER SANS PRÉAVIS.

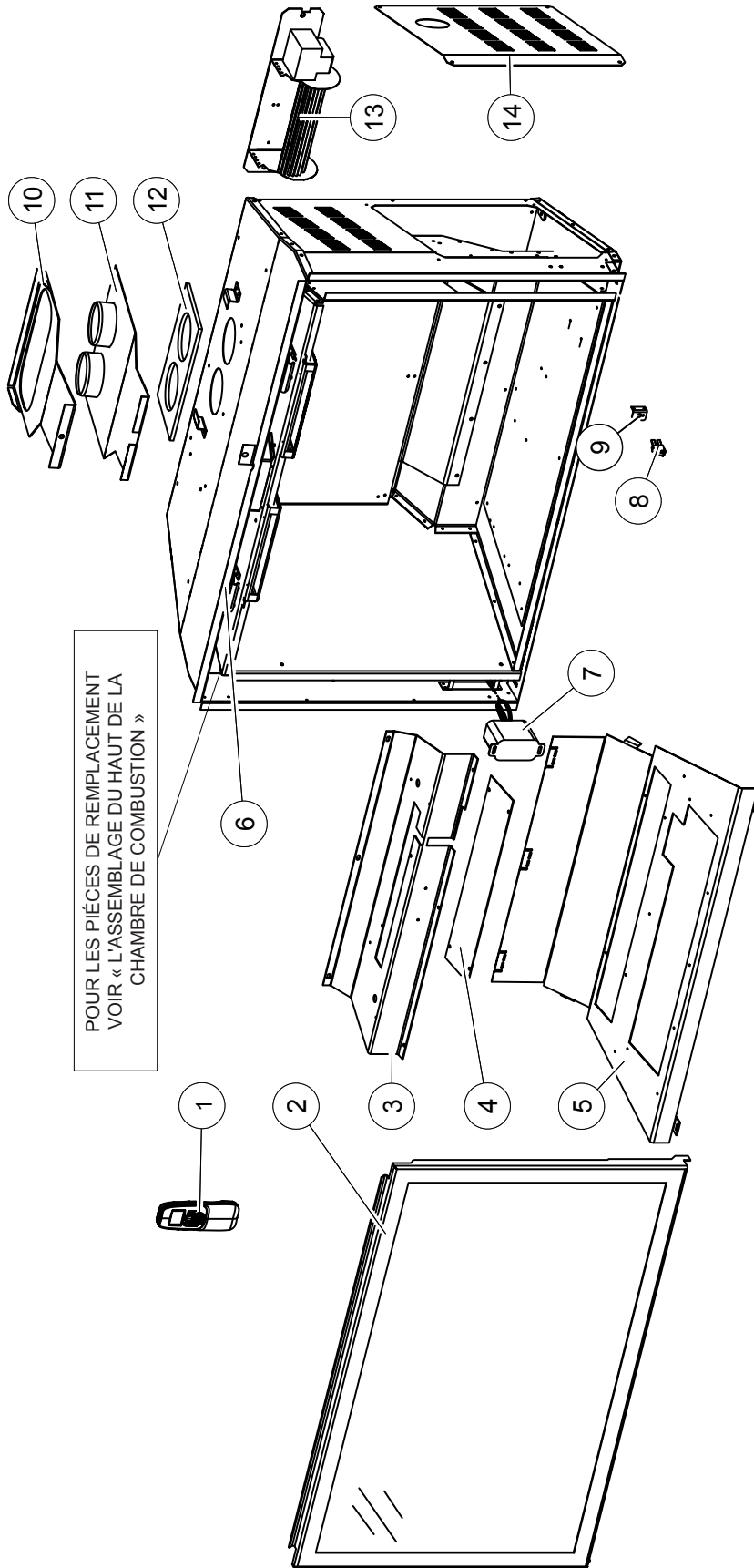
PARTIES IDENTIFIÉES COMME GARNIE SERONT LIVRÉS DANS 2 À 5 JOURS POUR LA PLUPART DES DESTINATIONS DE LIVRAISON.

PIÈCES NON IDENTIFIÉES QUE STOCKÉS SERONT LIVRÉS DANS UN DÉLAI DE 2 À 4 SEMAINES POUR LA PLUPART DES CAS.

PIÈCES IDENTIFIÉES COMME « SO » SONT COMMANDE SPÉCIALE ET PEUVENT PRENDRE JUSQU'À 90 JOURS POUR LA LIVRAISON.

41.1C

9.1 VUE D'ENSEMBLE

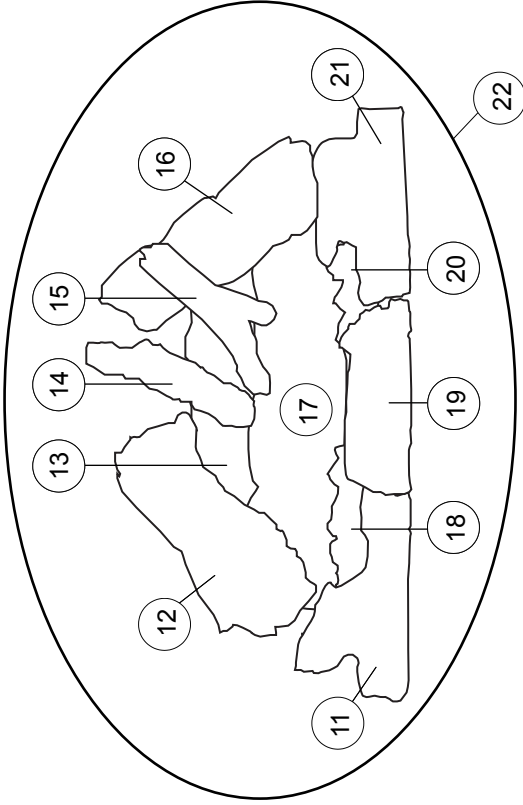
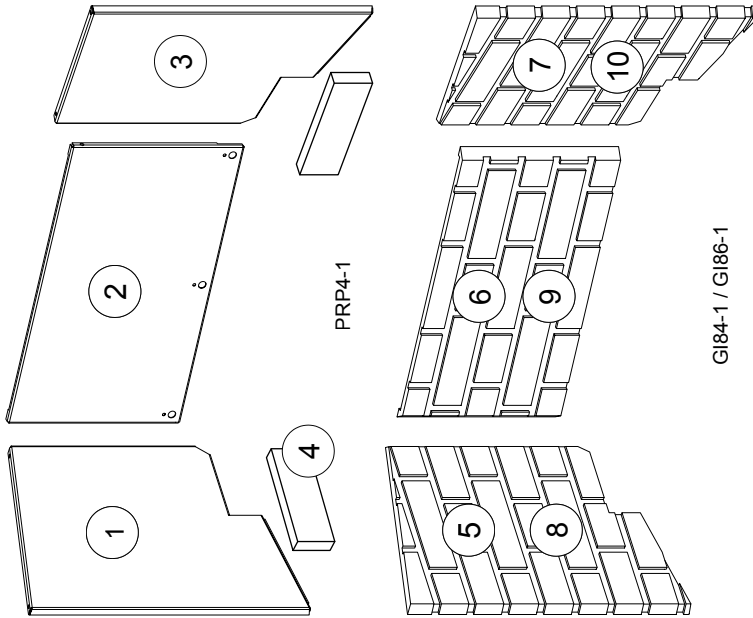


POUR LES PIÈCES DE REMPLACEMENT
VOIR « L'ASSEMBLAGE DU HAUT DE LA
CHAMBRE DE COMBUSTION »

CES ARTICLES PEUT DIFFÉRER DE CELLE ILLUSTRÉ

NO. DE RÉF.	NO. DE PIÈCE	DESCRIPTION
1	W660-0074	TÉLÉCOMMANDE MANUELLE
2	W010-2706	ASSEMBLAGE DE LA PORTE
3	W655-0467-SER	SUPPORT DU BÛCHE L'ARRIÈRE
4	W500-0672-SER	PLAQUE DE RECOUVREMENT
5	W200-0425-SER	COUVERCLE INFÉRIEUR DE BRÛLEUR
6	W010-2741	L'ASSEMBLAGE DESSUS DE FOYER
7	W660-0104	RÉCEPTEUR
8	W750-0191	INTERRUPTEUR ACS
9	W080-1222	SUPPORT D'INTERRUPTEUR

NO. DE RÉF.	NO. DE PIÈCE	DESCRIPTION
10	W010-2704	PLAQUE COULISSANTE
11	W010-2695	PLAQUE DE SUPPORT
12	W290-0183	JOINT D'ÉTANCHÉITÉ DES ÉVÉNENTS
13	GZ552-1KT	SOUFFLERIE
14	W500-0622	PLAQUE D'ACCÈS EXTERNE



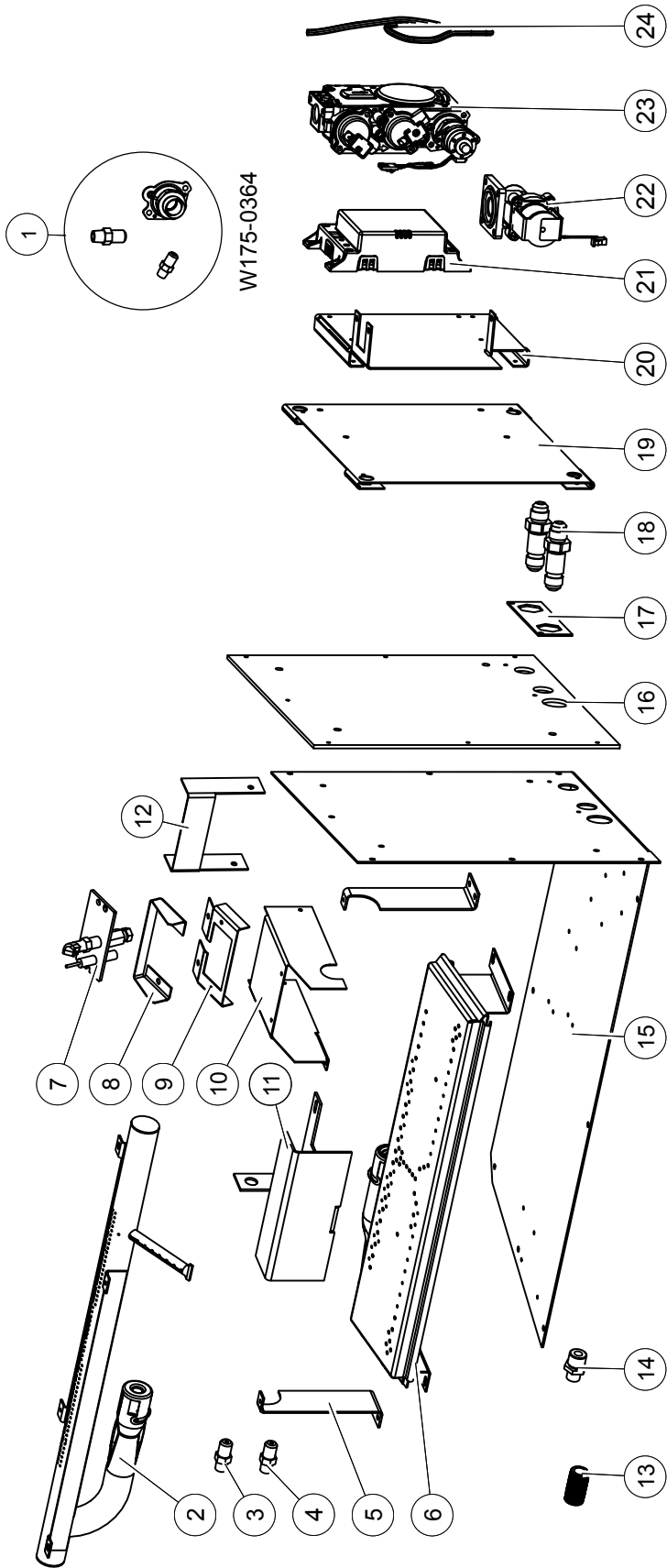
GL-689

CES ARTICLES PEUT DIFFÉRER DE CELLE ILLUSTRÉE

NO. DE RÉF.	NO. DE PIÈCE	DESCRIPTION
1	W500-0721	PANNEAU DE PORCELAINE DU CÔTÉ GAUCHE (PRP4-1)
2	W500-0722	PANNEAU DE PORCELAINE DE CÔTÉ L'ARRIÈRE (PRP4-1)
3	W500-0723	PANNEAU DE PORCELAINE DE CÔTÉ DROITE (PRP4-1)
4	W500-0670	PANNEAU DE CÔTE CERAMIQUE (PRP4-1) (X2)
5	W475-0875	PANNEAU DE BRIQUE DU CÔTÉ GAUCHE-NEWPORT (GI84-1)
6	W475-0877	PANNEAU DE BRIQUE DE L'ARRIÈRE-NEWPORT (GI84-1)
7	W475-0876	PANNEAU DE BRIQUE DU CÔTÉ DROITE-NEWPORT (GI84-1)
8	W475-0818	PANNEAU DE BRIQUE DU CÔTÉ GAUCHE-ANGLETERRE D'ANTAN (GI86-1)
9	W475-0816	PANNEAU DE BRIQUE DE L'ARRIÈRE-ANGLETERRE D'ANTAN (GI86-1)
10	W475-0817	PANNEAU DE BRIQUE DU CÔTÉ DROITE-ANGLETERRE D'ANTAN (GI86-1)
11	W135-0478	BANDE DE CHARBON DE BOIS GAUCHE
12	W135-0480	BÛCHE CROISÉ GAUCHE
13	W135-0541	BÛCHE DE L'ARRIÈRE

NO. DE RÉF.	NO. DE PIÈCE	DESCRIPTION
14	W135-0481	BÛCHE TRANSVERSALE CENTRALE SUPÉRIEURE
15	W135-0467	BÛCHE CROISÉ DROITE
16	W135-0479	BÛCHE CROISÉ DROITE
17	W135-0473	BÛCHE CENTRALE
18	W135-0475	BÛCHE AVANT GAUCHE
19	W135-0477	BÛCHE MORCEAU DE CHARBON CENTRAL
20	W135-0474	BÛCHE AVANT DROITE
21	W135-0476	BÛCHE DROITE BANDE DE CHARBON
22	GL-689	ENSEMBLE DE BÛCHES
23	GI84-1	PANNEAU DES BRIQUES NEWPORT DÉCORATIF
24	GI86-1	PANNEAU DES BRIQUES OLD ENGLISH DÉCORATIF
25	PRP4-1	PANNEAUX RÉFLECTEURS RADIANTS EN PORCELAINE

9.2 L'ASSEMBLAGE DE LA SOUPAPE



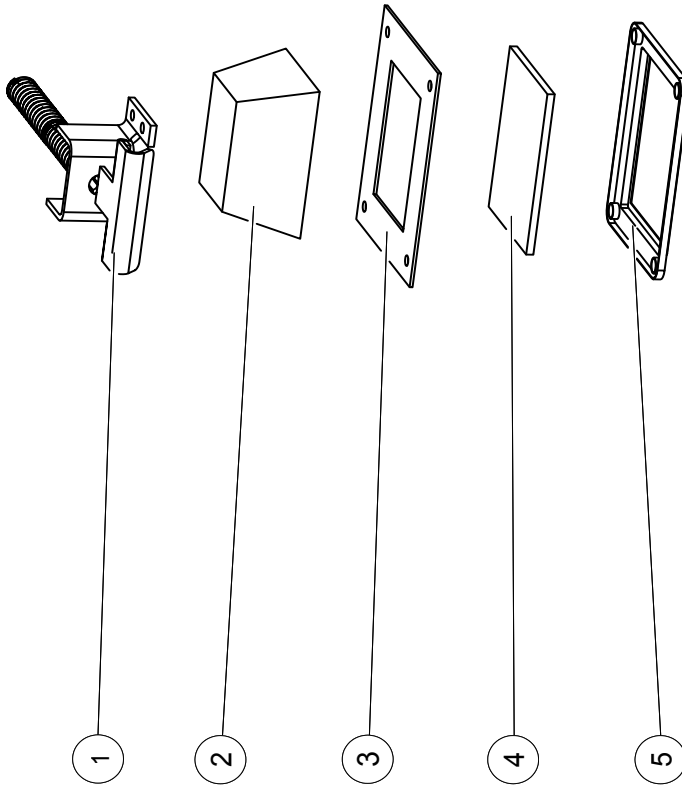
W175-0364

CES ARTICLES PEUT DIFFÉRER DE CELLE ILLUSTRÉ

NO. DE RÉF.	NO. DE PIÈCE	DESCRIPTION
1	W175-0364	TROUSSE DE CONVERSION (PL)
2	W010-2792-SER	BRÛLEUR TUBULAIRE
3	W456-0046	INJECTEUR DE VEILLEUSE (ARRIÈRE)
4	W456-0040	INJECTEUR DE VEILLEUSE (AVANT)
5	W080-1200	SUPPORTS DE BRÛLEUR (X2)
6	W100-0154-SER	BRÛLEUR À PLATEAU
7	W010-3024	ASSEMBLAGE DE VEILLEUSE
8	W585-0795	BOUCLIER DU VEILLEUSE
9	W080-1316	SUPPORT DE VEILLEUSE
10	W350-0690	BOÎTIER DE VEILLEUSE
11	W080-1310	SUPPORT DE L'INJECTEUR DE BRÛLEUR
12	W150-0073	CONDUIT D'AIR DE VEILLEUSE

NO. DE RÉF.	NO. DE PIÈCE	DESCRIPTION
13	W445-0022	RACCORD NPT 3/8" x 2"
14	W255-0002	RACCORD TUBE 3/8 À RACCORD TUYAU 3/8
15	W710-0051	PLATEAU DE BRÛLEUR
16	W290-0190	JOINT D'ÉTANCHÉITÉ DU PLATEAU DE BRÛLEUR
17	W500-0609	PLAQUE DE FIXATION
18	N255-0002-SER	SOUPAPE À SOLENOÏDE (X2)
19	W585-0749	PROTECTEUR DE CHALEUR
20	W080-1186	SUPPORT DU SOUPAPE
21	W190-0104	PANNEAU DE CONTRÔLE
22	W725-0058	SOUPAPE À SOLENOÏDE
23	W725-0056	SOUPAPE ÉLECTRONIQUE
24	W010-1985	L'ASSEMBLAGE DU HARNAIS DE FILS

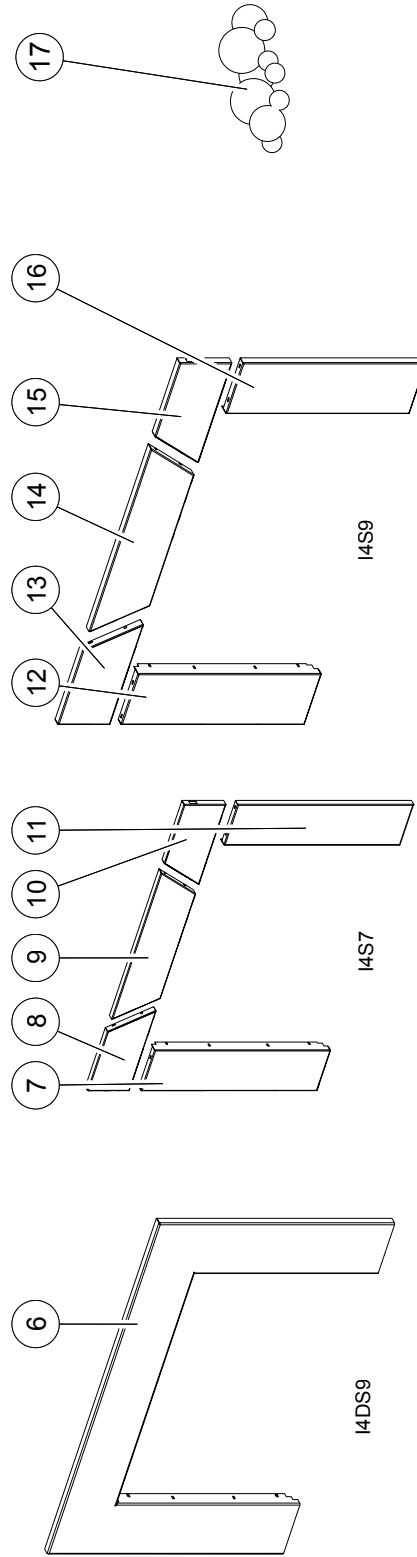
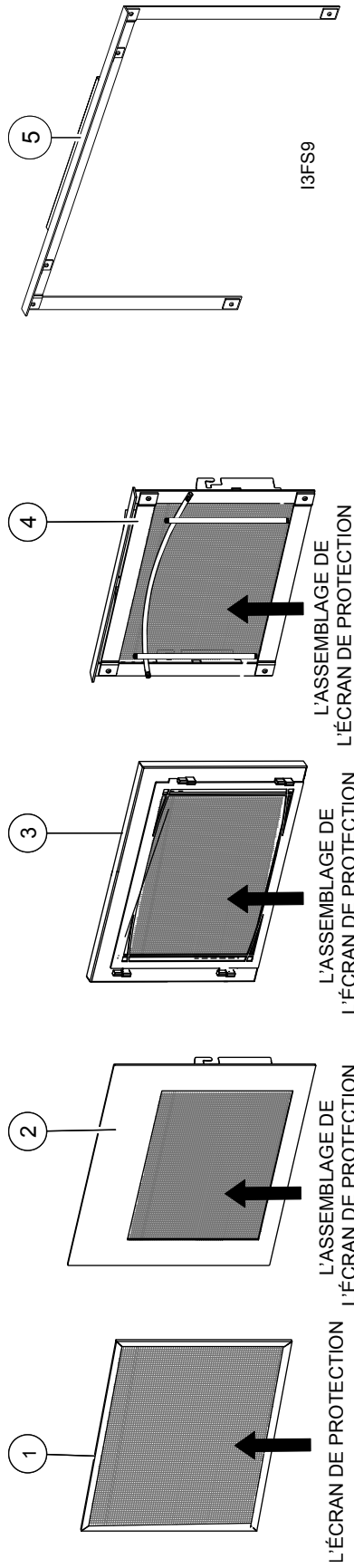
9.3 L'ASSEMBLAGE DU HAUT DE LA CHAMBRE DE COMBUSTION



CES ARTICLES PEUT DIFFÉRER DE CELLE ILLUSTRÉ

NO. DE RÉF.	NO. DE PIÈCE	DESCRIPTION	EN STOCK
1	W010-3684	LOQUET DE PORTE (X2)	OUI
2	N402-0001	ASSEMBLAGE DU LUMIÈRE À HAUTE TEMPÉRATURE	OUI
3	W290-0080	JOINT D'ÉTANCHÉITÉ PLAQUE DE RECouvreMENT	OUI
4	W300-0067	VERRE CERAMIQUE LENTILLE	OUI
5	W500-0288	PLAQUE DE RECouvreMENT LENTILLE	OUI

10.0 ACCESSOIRES



CES ARTICLES PEUT DIFFÉRER DE CELLE ILLUSTRÉ

NO. DE RÉF.	NO. DE PIÈCE	DESCRIPTION
1	W565-0134-SER	L'ÉCRAN DE PROTECTION
2	I4CRFSB (K/SS)	AVANT RECTANGULAIRE DE CONTEMPORAIN
3	I4DZSB (MK/WI)	PORTE DU ZEN
4	I4DPSSB	CADRE DE PORTE EN ARTISAN
5	I3FS9	CADRE DE PORTE EN GRANDE
6	W715-0895	CONTOUR EN GRANDE (I4DS9)
7	W263-0202	CONTOUR, PIÈCE INFÉRIEURE GAUCHE (I4S7)
8	W263-0166	CONTOUR, PIÈCE SUPÉRIEURE GAUCHE (I4S7)
9	W263-0167	CONTOUR, PIÈCE CENTRALE (I4S7)
10	W263-0165	CONTOUR, PIÈCE SUPÉRIEURE DROITE (I4S7)
11	W263-0202	CONTOUR, PIÈCE INFÉRIEURE DROITE (I4S7)
12	W263-0201	CONTOUR, PIÈCE INFÉRIEURE GAUCHE (I4S9)

NO. DE RÉF.	NO. DE PIÈCE	DESCRIPTION
13	W263-0130	CONTOUR, PIÈCE SUPÉRIEURE GAUCHE (I4S9)
14	W263-0129	CONTOUR, PIÈCE CENTRALE (I4S9)
15	W263-0128	CONTOUR, PIÈCE SUPÉRIEURE DROITE (I4S9)
16	W263-0201	CONTOUR, PIÈCE INFÉRIEURE DROITE (I4S9)
17	MKRY4	ENSEMBLE DE ROCHES

⚠ AVERTISSEMENT

ALLUMEZ TOUJOURS LA VEILLEUSE, QUE CE SOIT POUR LA PREMIÈRE FOIS OU LORSQUE L'APPROVISIONNEMENT EN GAZ EST ÉPUISÉ, AVEC LA PORTE VITRÉE OUVERTE OU RETIRÉE.

COUPEZ L'ALIMENTATION EN GAZ ET L'ALIMENTATION ÉLECTRIQUE AVANT DE PROCÉDER À L'ENTRETIEN DE L'APPAREIL.

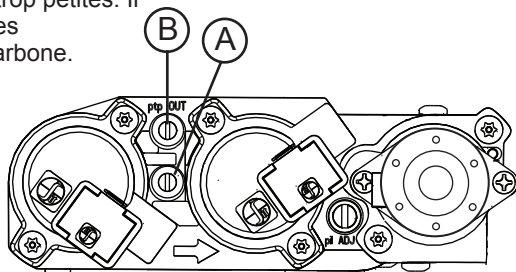
L'APPAREIL PEUT ÊTRE CHAUD. N'EFFECTUEZ AUCUN ENTRETIEN JUSQU'À CE QUE L'APPAREIL SOIT REFROIDI.

N'UTILISEZ PAS DE NETTOYANTS ABRASIFS.

SYMPTÔME	PROBLÈME	SOLUTIONS
----------	----------	-----------

<p>La télécommande contrôle les lumières Crystalite / lumière de veille, mais il n'y a aucune étincelle ou flamme.</p>	<p>Le récepteur est verrouillé.</p>	<ul style="list-style-type: none"> - Réinitialisez en fermant et en ouvrant l'alimentation. NOTE : Si des piles de secours sont installées, elles doivent aussi être retirées afin de réinitialiser.
<p>La flamme du brûleur principal est bleue, paresseuse et transparente.</p>	<p>Système d'évacuation bloqué.</p>	<ul style="list-style-type: none"> - Enlevez ce qui obstrue. Dans des conditions de froid extrême, une accumulation de glace peut se former sur la terminaison et devrait être enlevée lorsque nécessaire. Pour minimiser les chances que cela survienne de nouveau, il est recommandé que les événements qui passent à travers des espaces non chauffés (greniers, garages, espaces réduits) soient recouverts d'un manchon isolant en mylar. Assurez-vous que le manchon ne puisse pas s'affaisser. Pour plus de renseignements, contactez votre détaillant local autorisé.
	<p>Installation incorrecte.</p>	<ul style="list-style-type: none"> - Voir la section « ÉVACUATION » pour vérifier le bon emplacement des collets de solin.

<p>Les flammes sont régulièrement trop grandes ou trop petites. Il se produit des dépôts de carbone.</p>	<p>La pression du gaz est trop faible ou trop forte.</p>	<ul style="list-style-type: none"> - Vérifiez la pression : Pour vérifier la pression d'arrivée, tournez 2 ou 3 fois la vis (A) vers la gauche, puis emboîtez le tube du manomètre sur la pointe d'essai. Le manomètre doit indiquer la pression comme décrit sur le diagramme ci-dessous. Assurez-vous que le brûleur principal fonctionne à « HI ». La pression de sortie peut être vérifiée de la même façon en utilisant la vis (B). Le manomètre doit indiquer la pression comme décrit sur le diagramme ci-dessous. Assurez-vous que le brûleur principal fonctionne à « HI ». APRÈS AVOIR PRIS LA LECTURE DES PRESSIONS, ASSUREZ-VOUS DE TOURNER FERMEMENT LES VIS VERS LA DROITE POUR SCELLER. NE SERREZ PAS TROP FORT. Vérifiez pour des fuites en appliquant une solution d'eau savonneuse.
----------------------------------------------------------------------------------------------------------	----------------------------------------------------------	---------------------------------------------------------------------------------------------------------------------------------------------------------------------------------------------------------------------------------------------------------------------------------------------------------------------------------------------------------------------------------------------------------------------------------------------------------------------------------------------------------------------------------------------------------------------------------------------------------------------------------------------------------------------------------------------------------------------------------------------------------------------------------------------------------------------------------------------



*Pression d'alimentation maximale ne devait pas dépasser 13 po

Pression	Gaz Naturel (pouces)	Gaz Naturel (millibars)	Propane (pouces)	Propane (millibars)
Arrivée	*7" (min.4,5")	17,4 mb (min.11,2mb)	13" (min.11")	32,4 mb (min.27,4mb)
Sortie	3,5"	8,7 mb	10"	24,9 mb

<p>Du carbone se dépose sur la vitre, les bûches, les roches, les composants décoratifs ou les parois de la chambre de combustion.</p>	<p>Le volet d'air est bloqué.</p>	<ul style="list-style-type: none"> - Assurez-vous que l'ouverture du volet d'air n'est pas bloquée par des fibres ou autres obstructions.
	<p>La flamme effleure la vitre, les bûches, les roches, les composants décoratifs ou les parois de la chambre de combustion.</p>	<ul style="list-style-type: none"> - Vérifiez si la vitre, les bûches, les roches et les composants décoratifs sont positionnés correctement. - Augmentez l'ouverture du volet d'air pour augmenter le volume d'air primaire. - Vérifiez le débit d'alimentation : vérifiez que la pression du collecteur et la grandeur de l'injecteur soient telles que spécifiées sur la plaque d'homologation. - Vérifiez si les joints de la porte ne sont pas brisés ni manquants et qu'ils sont étanches. - Vérifiez que les deux conduits d'évent ne soient pas troués et qu'ils soient bien scellés à tous les joints. - Vérifiez si l'élévation minimale par pied (mètre) est conforme pour toute évacuation horizontale.
<p>Une pellicule blanche ou grise se forme.</p>	<p>Le soufre du combustible se dépose sur la vitre, les bûches ou les parois de la chambre de combustion.</p>	<ul style="list-style-type: none"> - Nettoyez la vitre avec un nettoyeur recommandé. NE PAS NETTOYER LORSQU'ELLE EST CHAUDE. - Si vous ne nettoyez pas les dépôts régulièrement, la vitre risque de rester marquée en permanence.

SYMPTÔME	PROBLÈME	SOLUTIONS
On détecte l'odeur des gaz de combustion dans la pièce; maux de tête.	L'appareil refoule les gaz de combustion dans la pièce.	<ul style="list-style-type: none"> - Vérifiez tous les joints scellés de la porte. - Vérifiez si la cheminée ne serait pas bloquée. - Vérifiez que les conduits d'évents sont installés correctement. - La pièce est sous pression négative; augmentez l'apport d'air frais.
La veilleuse ne s'allume pas. Il y a du bruit mais aucune étincelle au brûleur de la veilleuse.	Filage.	<ul style="list-style-type: none"> - Vérifiez si le fil pour la sonde et le fil pour l'allumeur sont raccordés aux bonnes bornes (non inversés) sur le module et l'assemblage de la veilleuse.
	Connexion desserrée.	<ul style="list-style-type: none"> - Vérifiez qu'il n'y a pas de connexions desserrées, de courts-circuits dans le filage ou des contacts avec des objets métalliques.
	La longueur de l'étincelle est incorrecte.	<ul style="list-style-type: none"> - La longueur de l'étincelle de l'allumeur à la veilleuse devrait être de 0,125" (1/8" (3.2mm)).
La veilleuse ne s'allume pas. Aucun bruit et aucune étincelle au brûleur de la veilleuse. Les lumières CrystalitesMC et la soufflerie fonctionnent.	Une connexion desserrée ou causant un court-circuit.	<ul style="list-style-type: none"> - Retirez et réinstallez le hamais de fils qui se branche dans le module. - Retirez et vérifiez la continuité de chaque fil dans le hamais de fils.
	Le module n'est pas mis à la terre.	<ul style="list-style-type: none"> - Vérifiez si les assemblages de la veilleuse et de la soupape sont bien mis à la terre au niveau du châssis du foyer.
	La boîte d'allumage a été verrouillée.	<p>Choisissez l'une des quatre méthodes suivantes pour réinitialiser le système.</p> <ol style="list-style-type: none"> 1. Pour réinitialiser la boîte d'allumage lorsqu'elle a été verrouillée, coupez l'alimentation électrique et retirez les piles (s'il y a lieu) du récepteur. 2. Pour réinitialiser le tableau DFC lorsque celui-ci se trouve en mode verrouillé et que la DEL clignote trois fois à l'aide du bouton MARCHE/ARRÊT de l'émetteur: <ul style="list-style-type: none"> Étape 1 : Éteignez le système en appuyant sur le bouton MARCHE/ARRÊT. Étape 2 : Après environ 2 secondes, appuyez de nouveau sur le bouton MARCHE/ARRÊT de la télécommande. Le tableau DFC se réinitialisera et la séquence d'allumage s'enclenchera de nouveau. 3. Pour réinitialiser le tableau DFC lorsque celui-ci se trouve en mode verrouillé et que la DEL clignote trois fois à l'aide du cycle de flamme : <ul style="list-style-type: none"> Étape 1 : En mode de contrôle manuel de la flamme, utilisez la flèche vers le bas pour éteindre la flamme, une situation indiquée par le mot « OFF » affiché à l'écran de la télécommande. Étape 2 : Attendez environ 2 secondes et appuyez sur la flèche vers le haut; la séquence d'allumage se déclenchera.
<p>NOTE: En position « OFF », appuyez sur le bouton « ON » de la télécommande. Environ 4 secondes après que le bouton « ON/OFF » ait été enfoncé, le tableau d'allumage commencera à produire des étincelles. Au premier essai, le tableau d'allumage formera des étincelles pendant 60 secondes. S'il n'y a pas de correction de flamme, le tableau cessera de former des étincelles pendant environ 35 secondes. Après le temps d'attente, le tableau démarrera le deuxième essai d'allumage en produisant des étincelles pendant environ 60 secondes. S'il n'y a toujours pas d'allumage, le tableau se verrouillera.</p>		

FR

SYMPTÔME	PROBLÈME	SOLUTIONS
Étincelle à la veilleuse mais celle-ci ne s'allume pas.	Alimentation en gaz.	- Vérifiez si la soupape à bille de la conduite d'arrivée du gaz est « Ouverte ». Vérifiez si la pression d'arrivée est dans les limites acceptables. La pression d'arrivée ne doit pas excéder 14" de colonne d'eau (34.9mb) .
	Le module n'est pas mis à la terre.	- Vérifiez si les assemblages de la veilleuse et de la soupape sont bien mis à la terre au niveau du châssis métallique du foyer.
	Plus de propane.	- Remplissez le réservoir.
Continue de produire des étincelles et la veilleuse s'allume mais le brûleur principal ne s'allume pas.	Court-circuit ou connexion desserrée dans la tige de la sonde.	- Vérifiez toutes connexions. Vérifiez si les connexions de l'assemblage de la veilleuse sont serrées; vérifiez aussi si ces connexions ne causent pas de mise à la terre au niveau du métal.
	Mauvais redressement du courant de la flamme ou tige de sonde contaminée.	- Vérifiez si la flamme enveloppe la tige de la sonde. Ceci augmentera le redressement du courant de la flamme. Vérifiez si le bon injecteur de veilleuse est installé et que l'alimentation en gaz est conforme aux spécifications du manuel. (Souvenez-vous que la flamme transporte le courant redresseur et non le gaz. Si la flamme se détache de la hotte, le circuit est rompu. Un mauvais injecteur ou une pression d'arrivée trop élevée peut causer la flamme de la veilleuse à se détacher.) La tige de la sonde a possiblement besoin d'être nettoyée.
	Mauvaise mise à la terre entre l'assemblage de la veilleuse et la soupape de gaz.	- Vérifiez si le harnais de fils est solidement branché au module.
	Veilleuse endommagée ou tige de sonde salie.	- Vérifiez si l'isolateur de céramique autour de la sonde est craqué, endommagé ou desserré. Vérifiez la connexion de la tige de la sonde au fil de la sonde. Nettoyez la tige de la sonde avec une toile d'émeri afin d'enlever toute contamination qui ait pu s'accumuler sur la tige de la sonde. Vérifiez la continuité avec un multimètre réglé sur Ohms au calibre le plus bas.
	La veilleuse a été peint	- Utilisant une pièce de papier de verre ou du tissu d'émeri pour enlever le peinture du capuchon du veilleuse, l'allumeur et le sonde de flamme.
L'appareil n'effectue aucune fonction.	L'interrupteur du récepteur est à la mauvaise position.	- Vérifiez que l'interrupteur du récepteur est en position « REMOTE » (milieu).
	Pas de puissance au système.	- Vérifiez que le disjoncteur est en position « ON ».
	La télécommande ne fonctionne pas.	- Vérifiez les piles ainsi que leur orientation.
La lumière de veille ou la soufflerie optionnelle ne fonctionnent pas.	L'interrupteur du module de contrôle est à la mauvaise position.	- Vérifiez que l'interrupteur « ON/OFF » est en position « I », ce qui indique le fonctionnement.
	L'interrupteur « COM » est débranché.	- Vérifiez que l'interrupteur « COM » est branché à l'avant du module de contrôle.

12.0 GARANTIE

Les produits NAPOLÉON sont fabriqués conformément aux normes strictes du Certificat d'Assurance de la Qualité mondialement reconnu ISO 9001 : 2008.

Les produits NAPOLÉON sont conçus avec des composants et des matériaux de qualité supérieure, assemblés par des artisans qualifiés qui sont fiers de leur travail. Le brûleur et le montage de la soupape subissent un test de détection de fuite et d'allumage à une station de test de qualité. Une fois assemblé, chaque appareil est soigneusement inspecté par un technicien qualifié avant d'être emballé pour garantir que vous, le client, recevez le produit de qualité dont vous vous attendez de NAPOLÉON.

GARANTIE À VIE LIMITÉE DU PRÉSIDENT DES APPAREILS AU GAZ NAPOLÉON

Les matériaux suivants et la fabrication de votre nouveau appareil au gaz NAPOLÉON sont garantis contre les défauts tant que vous en êtes le propriétaire. Ceci couvre : la chambre de combustion, l'échangeur de chaleur, le brûleur en acier inoxydable, les bûches Phazer™ et les braises, les roches, la vitre en céramique (cassure thermique seulement), les pièces plaquées or contre le ternissement, les composants en porcelaine émaillée et les moulures d'extrusion en aluminium.* Les composants électriques (110V et millivolt) et les pièces soumises à l'usure sont couverts et NAPOLÉON fournira gratuitement les pièces de rechange durant la première année de la garantie limitée. Ceci couvre: la souffleries, les soupapes de gaz, l'interrupteur thermique, les interrupteurs, l'installation électrique, les télécommandes, l'allumeur, les joints d'étanchéité et l'assemblage de la veilleuse.* Les coûts de main-d'oeuvre relatifs aux réparations garanties sont couverts gratuitement durant la première année. Cependant, les travaux de réparation nécessitent l'approbation préalable d'un représentant autorisé de la compagnie. Les coûts de main-d'oeuvre à la charge de NAPOLÉON sont basés sur un programme de tarifs prédéterminé et tout travail de réparation doit être accompli par l'entremise d'un représentant autorisé NAPOLÉON.

* La fabrication de chaque modèle varie. La garantie s'applique uniquement aux composants disponibles avec votre appareil.

CONDITIONS ET LIMITATIONS

NAPOLÉON garantit ses produits contre les défauts de fabrication à l'acheteur d'origine seulement. L'enregistrement de la garantie n'est pas nécessaire. Fournissez simplement une preuve d'achat ainsi que le modèle et le numéro de série afin d'effectuer une réclamation de garantie. NAPOLÉON se réserve le droit de demander à son représentant d'inspecter tous produits ou pièces avant d'honorer toute réclamation. L'achat doit avoir été fait par l'entremise d'un détaillant NAPOLÉON autorisé et sous réserve des conditions et limitations suivantes :

La couverture de la garantie débute à partir de la date d'installation originale.

Cette garantie du fabricant n'est pas transférable et ne peut être prolongée ou étendue par aucun de nos représentants quelle qu'en soit la raison. L'appareil au gaz doit être installé par un installateur autorisée qualifié, une agence de service ou fournisseur. L'installation doit être faite conformément aux instructions d'installation incluses avec le produit et à tous les codes d'incendie et de construction locaux et nationaux.

Cette garantie limitée ne couvre pas les dommages causés par un mauvais usage, un manque d'entretien, un accident, des altérations, des abus ou de la négligence et l'installation de pièces d'autres fabricants annulera cette garantie.

Cette garantie limitée ne couvre pas non plus les égratignures, les bossellements, la corrosion ou la décoloration causés par une chaleur excessive, des produits d'entretien chimiques et abrasifs ou l'écaillage des pièces en porcelaine émaillée, le bris par manipulation des bûches PHAZER™ et des braises.

NAPOLÉON garantit à vie ses brûleurs en acier inoxydable contre les défauts de fabrication et de matériau sous réserve des conditions suivantes : durant les dix premières années, NAPOLÉON remplacera ou réparera selon notre option les pièces défectueuses gratuitement. Après les dix premières années, NAPOLÉON fournira les brûleurs de rechange à 50% du prix de détail courant.

Au cours de la première année seulement, cette garantie s'applique à la réparation ou au remplacement des pièces garanties dont les matériaux ou la fabrication sont défectueux à la condition que le produit ait été utilisé conformément aux instructions de fonctionnement et dans des conditions normales.

Après la première année, concernant cette Garantie à Vie Limitée du Président, NAPOLÉON peut, à sa discrétion, se libérer entièrement de toutes obligations en ce qui concerne cette garantie en remboursant à l'acheteur d'origine le prix de gros de toute pièce garantie qui est défectueuse. NAPOLÉON ne sera pas responsable de l'installation, de la main-d'oeuvre ou autres dépenses relatives à la réinstallation d'une pièce garantie et de telles dépenses ne sont pas couvertes par cette garantie.

Nonobstant toutes les dispositions contenues dans cette Garantie à Vie Limitée du Président, la responsabilité de NAPOLÉON sous cette garantie est définie comme ci-dessus et elle ne s'appliquera à aucun dommage accidentel, consécutif ou indirect.

Cette garantie définit l'obligation et la responsabilité de NAPOLÉON en ce qui concerne l'appareil au gaz NAPOLÉON et toute autre garantie énoncée ou implicite en ce qui concerne ce produit, ses composants ou accessoires est exclue.

NAPOLÉON n'endosse ni n'autorise aucun tiers à assumer en son nom, toute autre responsabilité concernant la vente de ce produit.

NAPOLÉON ne sera pas responsable d'une surchauffe, des refoulements, des déversements causés par des conditions environnementales telles que des toits, des bâtiments, la proximité d'arbres, de collines, de montagnes, une ventilation ou des événements inadéquats, une configuration d'évacuation excessive, un apport d'air insuffisant ou des pressions négatives qui peuvent ou non être causés par des systèmes mécaniques tels que les ventilateurs d'évacuation, les fournaies, les sècheuses de linge, etc.

Tout dommage causé à l'appareil, à la chambre de combustion, à l'échangeur de chaleur, aux garnitures plaquées ou autres composants par l'eau, les dommages causés par les intempéries, de longues périodes d'humidité, la condensation, des produits chimiques ou produits d'entretien nuisibles ne seront pas la responsabilité de NAPOLÉON.

Toutes les pièces remplacées en vertu de la politique de Garantie à vie limitée du Président ne peuvent faire l'objet que d'une seule réclamation. Durant les dix premières années, NAPOLÉON remplacera ou réparera les pièces défectueuses qui sont couvertes par la garantie à vie limitée à sa discrétion gratuitement. Après les dix premières années, NAPOLÉON fournira les pièces de rechange à 50% du prix de détail courant.

Toutes les pièces remplacées au titre de la garantie seront couvertes pour une période de 90 jours à partir de leur date d'installation.

Le fabricant peut exiger que les pièces défectueuses ou les produits soient retournés ou que des photos numériques soient fournies pour valider la réclamation. Les produits retournés doivent être expédiés port payé au fabricant pour une inspection en usine. Si un produit est déclaré défectueux, le fabricant le réparera ou le remplacera.

Avant d'expédier votre appareil ou les pièces défectueuses, votre détaillant doit obtenir un numéro d'autorisation. Toute marchandise expédiée à notre usine sans autorisation sera refusée et retournée à l'expéditeur.

Les coûts d'expédition ne sont pas couverts par cette garantie. Des frais de service supplémentaires peuvent être appliqués si vous cherchez à obtenir des services au titre de la garantie auprès d'un détaillant.

Les indemnités de main-d'oeuvre au titre de la garantie s'appliquent uniquement pour le remplacement d'une pièce garantie. Les frais de déplacement, de tests de diagnostic, d'expédition et autres frais afférents ne sont pas couverts par cette garantie.

TOUTES LES SPÉCIFICATIONS ET LES CONCEPTIONS SONT SUJETTES À MODIFICATIONS SANS PRÉAVIS EN RAISON DES AMÉLIORATIONS CONSTANTES APPORTÉES AUX PRODUITS. NAPOLÉON EST UNE MARQUE DE COMMERCE DÉPOSÉE DE WOLF STEEL LTÉE.

Autres produits Napoléon®



Foyers encastrés • Grils au charbon de bois • Foyers au gaz • Cascades d'eau
Poêles à bois • Produits HVAC • Foyers électriques • Foyers extérieurs • Grils à gaz de qualité



7200, Route Transcanadienne, Montréal, Québec H4T 1A3
24 Napoleon Road, Barrie, Ontario, Canada L4M 0G8
214 Bayview Drive, Barrie, Ontario, Canada L4N 4Y8
103 Miller Drive, Crittenden, Kentucky, USA 41030

Foyers / Chauffage et Climatisation / Grils composez : 514-737-6294
napoleonproducts.com