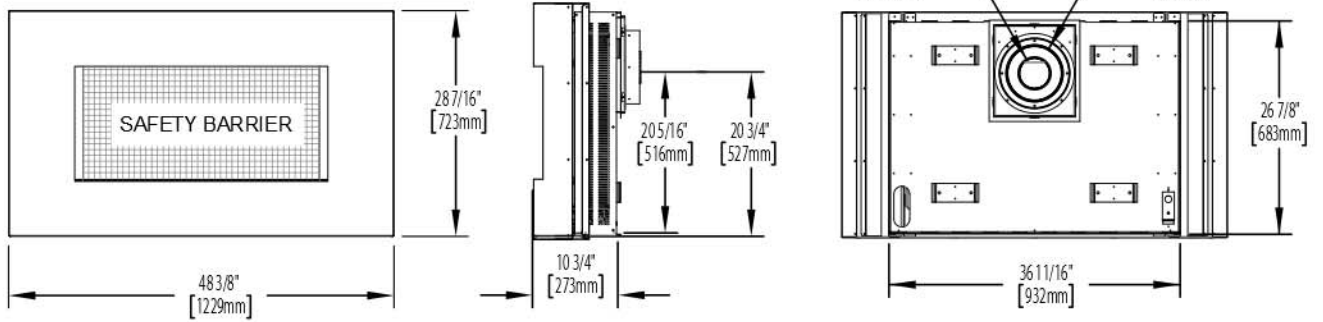


2.1 DIMENSIONS

2.1.1 CONVEX SURROUND



2.1.2 RECTANGULAR SURROUND

