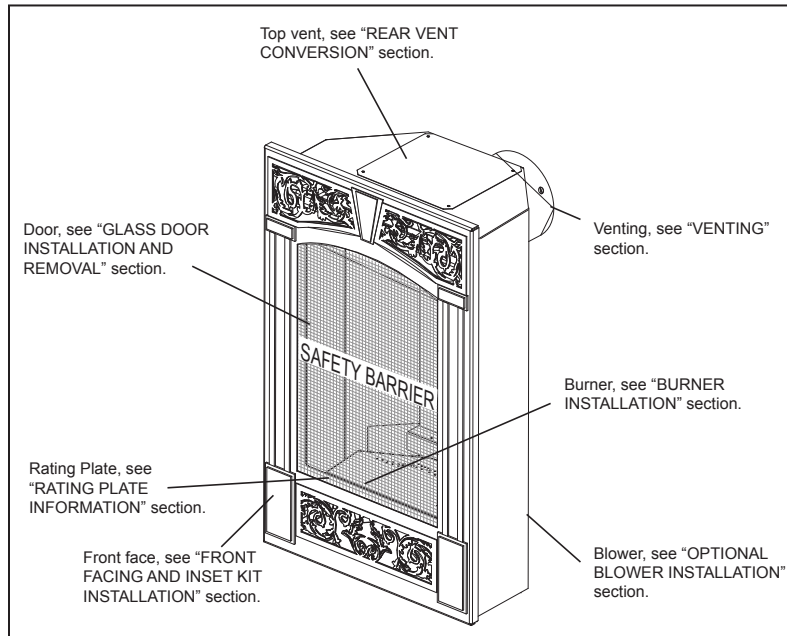


# VITTORIA™ DIRECT VENT GAS FIREPLACE

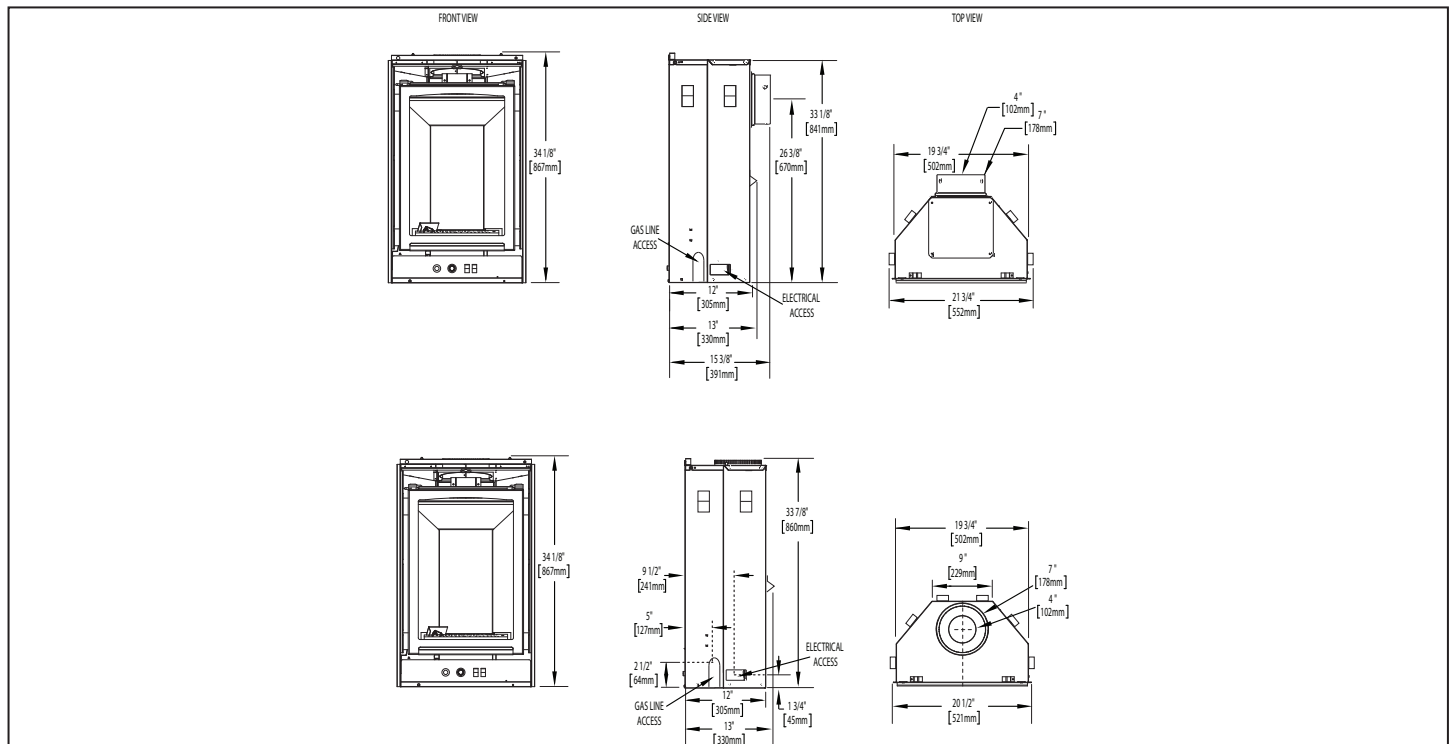
## Specifications

Model	BTU	Width		Height		Depth		Glass
		Actual	Framing	Actual	Framing	Actual	Framing	
GD19	11,500	21 3/4	22 1/4	34 1/8	39 3/8	15 3/8	13 1/4	24 X 16 5/8

## Overview



## Dimensions



# VITTORIA™ DIRECT VENT GAS FIREPLACE

## Framing & Clearances

### Minimum Fireplace Clearances

Minimum clearance to combustibles from appliance and vent surfaces:

**Combustible Framing:**

- 0" to stand-offs
- 1" (25mm) to bottom and sides of the vent pipe\*
- 2" (51mm) to top of the vent pipe\*

**Combustible Finishing:**

- 0" to rear
- 0" to front face top and sides
- 13" (330mm) recessed depth

**Rear Vent:**

- 39 1/8" (994mm) to enclosure top from base of the unit
- 45 1/8" (1146mm) to ceiling from base of the unit

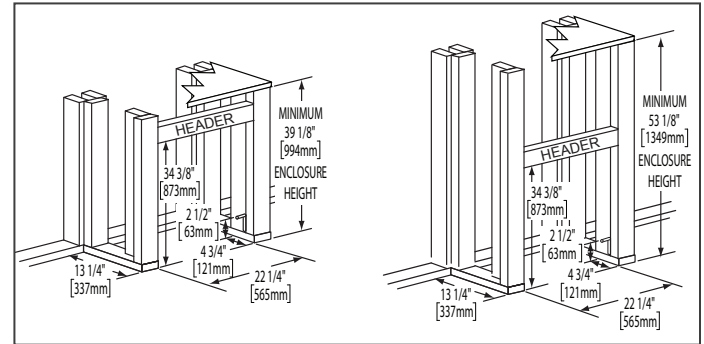
**Top Vent:**

- 53 1/8" (1349mm) to enclosure top from base of the unit
- 53 1/8" (1349mm) to ceiling from base of the unit

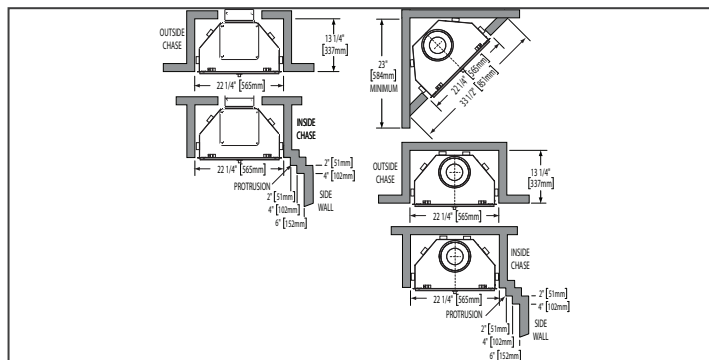
\* **HORIZONTAL VENT SECTIONS** - A minimum clearance of 1" (25mm) at the bottom and sides and 2" (51mm) at the top of the vent pipe in all horizontal runs to combustibles is required except for clearances in appliance enclosures, see "MINIMUM ENCLOSURE CLEARANCES" section. Use firestop spacer W010-1777 (supplied).

\* **VERTICAL VENT SECTIONS** - A minimum of 1" (25mm) all around the vent pipe on all vertical runs to combustibles is required. Use firestop spacer W500-0096 (not supplied).

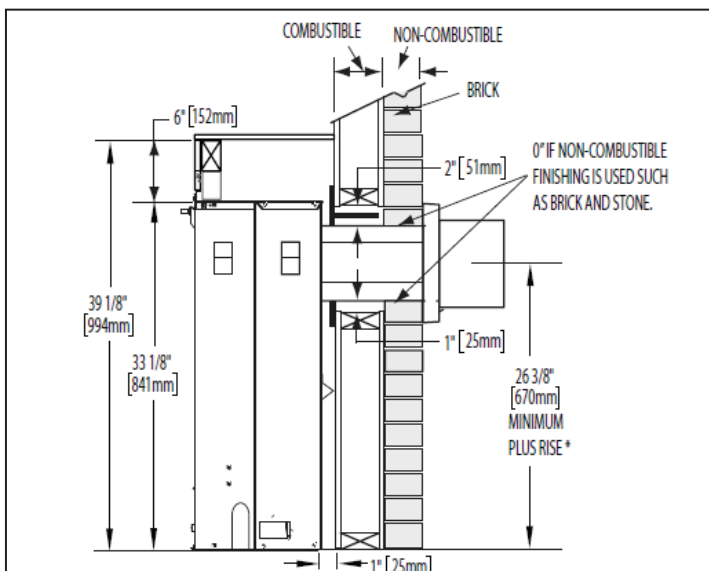
### Framing Dimensions



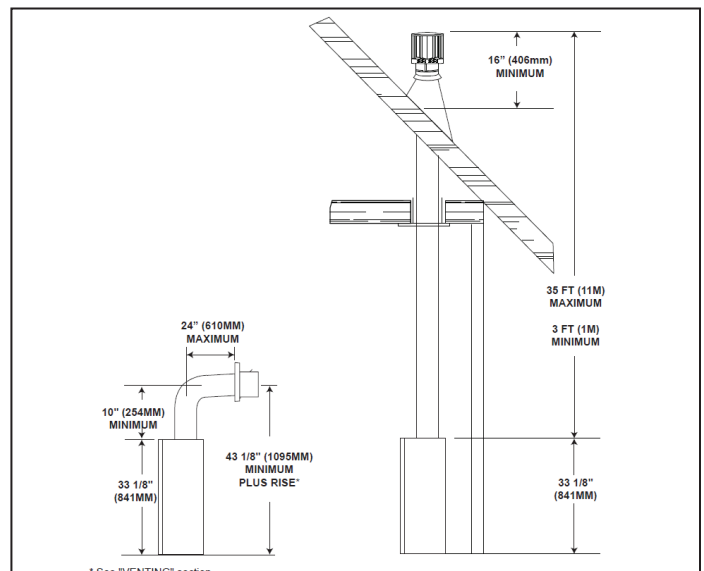
### Appliance Location



### Wall Penetration



### Minimum Vertical Vent Rise



### Combustible Mantel Clearances

Combustible materials must be installed flush with the front of the appliance but must not cover any of the black face-area of the appliance. Non-combustible material (brick, stone or ceramic tile) may protrude past the face of the appliance.

Graph showing Mantel Height vs. Mantel Depth. The graph shows a linear relationship where mantel height increases with mantel depth.

Top view diagram showing mantel clearances:
 

- Mantel depth: 8" (203mm)
- Mantel offset: 4" (102mm)
- Mantel offset: 4" (102mm)
- Mantel offset: 2" (51mm)
- Mantel offset: 2" (51mm)

Product information provided is not complete and is subject to change without notice. Please consult the installation manual for the most up to date installation information.