



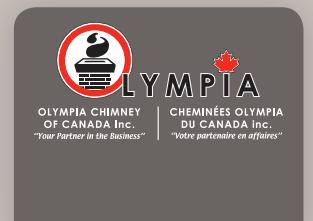
# THE PERFECT MATCH

BETWEEN WOOD FIREPLACES AND VENTING PRODUCTS



ZERO CLEARANCE FIREPLACES | CLEAN COMBUSTION | DECORATIVE FIREPLACES | SUPERIOR QUALITY MANUFACTURING

[www.occanada.com](http://www.occanada.com)



# ME150

FACEPLATE INCLUDED



## SKU# VB00004 <<< WOOD FIREPLACE

The Ventis ME150 wood fireplace was developed for the thrifty homeowner who still demands elegance, robustness and high quality. This model with clean lines and timeless design will, without fail, match the style of any home. The ME150 boasts many features including a generous sized combustion chamber, high quality ceramic glass, firescreen doors, and cast iron grate, all at a competitive price. An optional variable speed blower is also offered to improve heat distribution, maximizing your comfort. The ME150, a gift to offer others or a gift to yourself!

### FEATURES

Recommended heating area	< 1,000 sq. ft.
Firebox volume	3.0 cu. ft.
Maximum log length	16"
Cast refractory bricks	Included
Ventis anchor plate	Included
Fresh air intake adapter	Included
Firescreen doors	Included
EPA exempt decorative fireplace	Yes

### OPTIONS

176 CFM blower assembly	SKU# VA4400
-------------------------	----------------

# ME300

ARCHED DOORS



## SKU # VB00001 <<< WOOD FIREPLACE

Enjoy both the sounds and the heat of a natural fireplace with our Ventis ME300. Thanks to its two standard firescreen doors, the fireplace can be operated with the glass doors opened. Its extra large 4.25 cubic foot firebox is clearly a guarantee for the best looking fire. Although the ME300 is not designed to provide an overnight burn, it is powerful enough to heat up to 1,500 square feet. Get the most out of this truly exceptional fireplace by using its standard blower or installing its optional warm air distribution kit. The features of our ME300 were created without compromise for the environment. Indeed, its emissions have been tested at 2.9 g/kg and are below the Phase II limit of the EPA Voluntary Wood Fireplace Program.



WITH TRADITIONAL STRAIGHT NARROW OVERLAP FACEPLATE - METALLIC BLACK AND HOT AIR GRAVITY DISTRIBUTION KIT - MODERN STYLE



WITH TRADITIONAL STRAIGHT NARROW OVERLAP FACEPLATE - METALLIC BLACK AND HOT AIR GRAVITY DISTRIBUTION KIT - TRADITIONAL STYLE

### FEATURES

Recommended heating area	< 1,500 sq. ft.*
Firebox volume	4.25 cu. ft.
Maximum log length	20"
Cast refractory bricks	Included
Ventis anchor plate	Included
176 CFM blower	Included
Firescreen doors	Included
Fresh air intake adapter	Included
EPA qualified	Yes

### REQUIRED ACCESSORIES

	SKU #
Traditional straight narrow overlap faceplate - metallic black	VBA1520

### OPTIONS

	SKU #
Forced air distribution kit	AC01340
Hot air gravity distribution kit - traditional style	AC01375
Hot air gravity distribution kit - modern style	AC01376
Insulated flexible pipe 25 feet (6" diameter) for forced air kit	AC01350

\* With forced air distribution kit

This model is  
**EPA QUALIFIED**  
Under the LOW MASS  
Wood-Burning Fireplace Program

**PHASE 2**  
EMISSION  
LEVEL

# HE200

RETRACTABLE DOUBLE DOORS



EPA  
≤4.5 g/h



WITH BRUSHED NICKEL PLATED DOOR OVERLAY AND HOT AIR GRAVITY DISTRIBUTION KIT - MODERN WITH ADJUSTABLE PIPES



WITH BLACK DOOR OVERLAY AND HOT AIR GRAVITY DISTRIBUTION KIT - MODERN WITH ADJUSTABLE PIPES



WITH BRUSHED NICKEL PLATED DOOR OVERLAY AND HOT AIR GRAVITY DISTRIBUTION KIT - TRADITIONAL STYLE



WITH BLACK DOOR OVERLAY AND HOT AIR GRAVITY DISTRIBUTION KIT - TRADITIONAL STYLE

## SKU # VB00003 <<< WOOD FIREPLACE

How many certified fireplaces compare to our HE200? Read on and you will discover that very few zero-clearance wood fireplaces can match the exceptional features of our HE200: an overnight burn, retractable double doors, cast refractory bricks, standard blower system, optional firescreen doors, and hot air distribution capabilities. When wood-heating is taken seriously, no detail should be overlooked. This is why the HE200 will impress you. Eco-friendly heating is not a stretch when emissions are below 4.0 g/h and efficiency tops 75%. Get the best of today's wood fireplace technology with a traditional design!

### FEATURES

Maximum output - seasoned cord wood	65,000 BTU
Recommended heating area	500 - 1,900 sq. ft.*
Firebox volume	2.3 cu. ft.
Maximum log length	16"
Cast refractory bricks	Included
Ventis anchor plate	Included
176 CFM blower	Included
Fresh air intake adapter	Included
EPA certified	Yes

### REQUIRED ACCESSORIES

Traditional style faceplate - metallic black	VBA1530
Black door overlay	VBA1515
Brushed nickel plated door overlay	VBA1516

### OPTIONS

Forced air distribution kit	VA4460
Hot air gravity distribution kit - traditional style	AC01375
Hot air gravity distribution kit - modern with adjustable pipes	AC01389
Firescreen	VA8420
Heat shield for surround/shelf**	AC01324
Insulated flexible pipe 25 feet (6" diameter) for forced air kit	AC01350

\* With forced air distribution kit.

\*\* The installation of the heat shield for surround/shelf AC01324 is mandatory for the installation of a combustible shelf above the HE200 fireplace.

# HE250

ZERO CLEARANCE WOOD FIREPLACE



WITH BLACK DOOR OVERLAY AND HOT AIR GRAVITY DISTRIBUTION KIT - MODERN WITH ADJUSTABLE PIPES



WITH BRUSHED NICKEL PLATED DOOR OVERLAY AND HOT AIR GRAVITY DISTRIBUTION KIT - MODERN WITH ADJUSTABLE PIPES



WITH BLACK DOOR OVERLAY AND HOT AIR GRAVITY DISTRIBUTION KIT - TRADITIONAL STYLE



WITH BRUSHED NICKEL PLATED DOOR OVERLAY AND HOT AIR GRAVITY DISTRIBUTION KIT - TRADITIONAL STYLE

## SKU # VB00002 <<< WOOD FIREPLACE

Contemporary design... straight lines, clean shapes, neutral colors. Our HE250 brings a modern touch and blends functionality and comfort perfectly. Obtain the same key features as our HE200, but with extra firebox volume and a larger glass viewing area. With an efficiency topping 75% and emission below 4.4 g/h, there is not much more one can ask from a zero-clearance wood fireplace. The HE250 allows you to insert your personal touch with the option of a distinctive brushed nickel plated door overlay. Make your living room cozy and inviting for those cold winter nights!

### FEATURES

Maximum output - seasoned cord wood	75,000 BTU
Recommended heating area	500 - 2,100 sq. ft.*
Firebox volume	2.5 cu. ft.
Maximum log length	21"
Cast refractory bricks	Included
Ventis anchor plate	Included
176 CFM blower	Included
Fresh air intake adapter	Included
EPA certified	Yes

### REQUIRED ACCESSORIES

	SKU #
Modern style faceplate kit - metallic black	VBA1500
Black door overlay	VBA1510
Brushed nickel plated door overlay	VBA1511

### OPTIONS

	SKU #
Forced air distribution kit	AC01340
Hot air gravity distribution kit - modern with adjustable pipes	AC01389
Hot air gravity distribution kit - traditional style	AC01375
Rigid firescreen	AC01560
Insulated flexible pipe 25 feet (6" diameter) for forced air kit	AC01350

\* With forced air distribution kit.

# HE300

NEW



CSA  
B415.1-10

## SKU # VB00006 <<< WOOD FIREPLACE

A fireplace that combines high efficiency, ecology and originality. Its arch with twisted grids, makes it a unique piece that will certainly enhance the look of the room.

**Performance.** This unit has an output of 80,000 BTU/h and can heat an area of 2,200 square feet. Its 2.9 cubic foot combustion chamber can hold contains logs up to 16".

**Clean combustion.** Reduce your environmental footprint thanks to the technology of this low zero emissions fireplace. It is the natural solution for providing comfortable heat and a healthy environment.

**Superior quality.** Safe and innovative, the Ventis wood-burning fireplace is made in Canada by pioneers of the field. The HE300 is further proof of their expertise and their ability to adapt to the needs of our time.

Technical data for this new product is for reference only. Any installation must be done according to the data and drawings detailed in the owner's manual. Contact your dealer or visit [www.occanada.com](http://www.occanada.com) for more information.

### PRELIMINARY FEATURES

Maximum output - seasoned cord wood	80,000 BTU*
Recommended heating area	750 - 2,200 sq. ft.**
Firebox volume	2.9 cu. ft.
Maximum log length	16"
Ventis anchor plate	included
144 CFM blower	included
CSA B415.1-10 certified	Yes

### REQUIRED ACCESSORIES

	SKU #
Black door overlay	VBA1517
Brushed nickel plated door overlay	VBA1518

### OPTIONS

	SKU #
Forced air distribution kit	VA4460
Firescreen	AC01379
Insulated flexible pipe 25 feet (6" diameter) for forced air kit	AC01350

\*Based on maximum loading capacity using hardwood.  
\*\* With forced air distribution kit.

# HE350

NEW

EPA  
≤ 4.5 g/h

## SKU # VB00005 <<< WOOD FIREPLACE

The luxurious effect created by this fireplace is just as impressive as its heating capacity. Moreover, it is a responsible choice for heating your home and caring for the environment.

**Large fireplace.** Behind its large glass door, the 4.28 cubic foot combustion chamber can hold an impressive 60 lb of wood.

**Low emissions.** This energy efficient fireplace complies with the EPA's clean-air standards (only 1.6 g/h of emissions).

**High efficiency.** The HE350 fireplace is capable of heating large spaces and burns for 10 hours.

A hot start is always your best guarantee for a clean burn. The HE350 uses an automated combustion air intake system that allows the fire to reach an ideal temperature before going into slow burn mode. The result is very low emissions, without the need for a catalytic combustor.

Technical data for this new product is for reference only. Any installation must be done according to the data and drawings detailed in the owner's manual. Contact your dealer or visit [www.occanada.com](http://www.occanada.com) for more information.

### PRELIMINARY FEATURES

Maximum output - seasoned cord wood	95,000 BTU*
Recommended heating area	1,000 - 2,800 sq. ft.**
Firebox volume	4.28 cu. ft.
Maximum log length	25"
Ventis anchor plate	included
176 CFM blower	included
EPA certified	Yes

### REQUIRED ACCESSORIES

	SKU #
Traditional style faceplate kit - métallique black	VBA1540
Classic moulded refractory brick panel	AC02360

### OPTIONS

	SKU #
Forced air distribution kit	VA4460
Warm air circulation grille - modern style	AC01378
Insulated flexible pipe 25 feet (6" diameter) for forced air kit	AC01350

\*Based on maximum loading capacity using hardwood.

\*\* With forced air distribution kit.

# SPECIFIC FEATURES

MODELS	ME150	ME300	HE200	HE250	HE300 <sup>†</sup>	HE350 <sup>†</sup>
Color	Black	Black	Black	Black	Black	Black
Burn time (on low setting)	-	-	6 to 8 hours	8 to 9 hours	9 hours	9 to 10 hours
Combustion technology	Non-catalytic	Non-catalytic	Non-catalytic	Non-catalytic	Non-catalytic	Non-catalytic
Heating capacity - BTU/h, emissions test load	-	-	36,900	30,450	28,629	43,021
Heating capacity - BTU/h, seasoned cord wood	-	-	65,000	75,000	80,000	95,000
Emissions	-	2.9 g/kg	4.0 g/h	4.4 g/h	2.3 g/h	1.6 g/h
Optimum efficiency	-	-	75%	75%	73.9%	69.7%
Door opening dimensions (W x H)	28 1/4" x 14 1/2"	30" x 16 1/2"	21 7/8" x 11 1/4"	25 1/2" x 10 3/4"	20 7/8" x 10 7/8"	33" x 12 3/4"
Firebox dimensions (W x D) behind andiron	26 1/4" x 14 1/4"	23 1/8" x 11 3/8"	19 1/8" x 13"	20 1/4" x 12 7/8"	19" x 17"	25 3/8" x 17 7/8"
Glass viewing area (W x H)	28 3/4" x 16 1/2"	28 1/2" x 17 1/8"	19 3/4" x 12 5/8"	24 3/8" x 12"	20 7/8" x 11 3/8"	29 3/4" x 13 1/2"
Door type	Double, glass, with steel frame	Double, glass, with steel frame	Double, glass, retractable with steel frame	Single, glass, with steel frame	Single, glass, with steel frame	Double, glass, with cast iron frame
Log positioning	East / West	East / West	East / West	East / West	East / West	East / West
Chimney diameter (inner)	7"	8"	6"	6"	6"	8"
Minimum chimney height (from bottom of fireplace)	15'	15'	15'	15'	15'	15'
Glass type	Ceramic glass	Ceramic glass	Ceramic glass	Ceramic glass	Ceramic glass	Ceramic glass
Warranty	Limited lifetime	Limited lifetime	Limited lifetime	Limited lifetime	Limited lifetime	Limited lifetime
Test standard - Emissions	EPA exempt	ASTM 2515 / ASTM 2558	EPA method 28	EPA method 28	CSA B415.1-10 certified	EPA / ASTM WK47329
Test standard - Safety	ULC-S610 / UL 127	ULC-S610 / UL 127	ULC-S610 / UL 127	ULC-S610 / UL 127	ULC-S610 / UL 127	ULC-S610 / UL 127

## EXTERIOR DIMENSIONS AND WEIGHT

Width	40 1/4"	41 1/8"	37 3/4"	37 7/8"	35 1/4"	50 3/4"
Depth	26 1/4"	27 1/4"	29 1/2"	28"	26 1/8"	31 3/4"
Height	40 5/8"	43 5/8"	36 1/2"	47 1/8"	40 5/8"	43 3/8"
Weight	370 lb	450 lb	475 lb	405 lb	440 lb	545 lb

## CLEARANCES TO COMBUSTIBLE MATERIALS

Side wall	24"	24"	16"	24"	21"	24"
Back wall	0"	0"	0"	0"	0"	0"
Sides	0"	0"	0"	0"	0"	0"
Floor	0"	0"	0"	0"	0"	0"
Ceiling	84"	72"	84"	80"	84"	84"
Shelf (from bottom of fireplace)*	48"	48"	48" **	58"	60"	-
Side mantle	0"	0"	0"	0"	0"	8"
Non-combustible surround (top) from door opening	0"	5 1/2"	24" **	24"	-	24"
Non-combustible surround (sides) from door opening	0"	0"	1 1/2"	1 1/2"	-	3 1/16"

## OPTIONS

Fresh air intake (diameter)	Yes (4")	Yes (4")	Yes (4")	Yes (3" or 4")	Yes (4")	Yes (5")
Hot air gravity distribution kit (diameter)	-	Optional (8")	Optional (8")	Optional (8")	-	-
Forced air distribution kit (diameter)	-	Optional (6")	Optional (6")	Optional (6")	Optional (6")	Optional (6")
Firescreen	Included	Included	Optional	Optional	-	-

\*For installation of a 6" deep shelf. For other shelf dimensions, refer to the owner's manual.

\*\*With the use of a heat shield. Refer to the owner's manual for details.

Note: Technical data contained in this brochure are for reference only. Any installation must be done according to the data and drawings detailed in the owner's manual.

## CHIMNEY

MANUFACTURER	BRAND	TYPE
Olympia Chimney	Ventis	1" Solid Pack

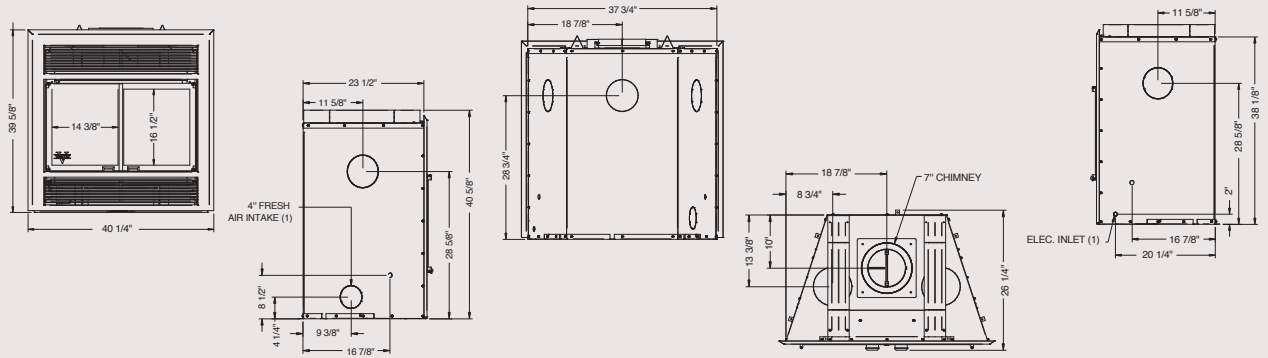
<sup>†</sup>Technical data for this new product is for reference only. Any installation must be done according to the data and drawings detailed in the owner's manual. Contact your dealer or visit [www.occanada.com](http://www.occanada.com)



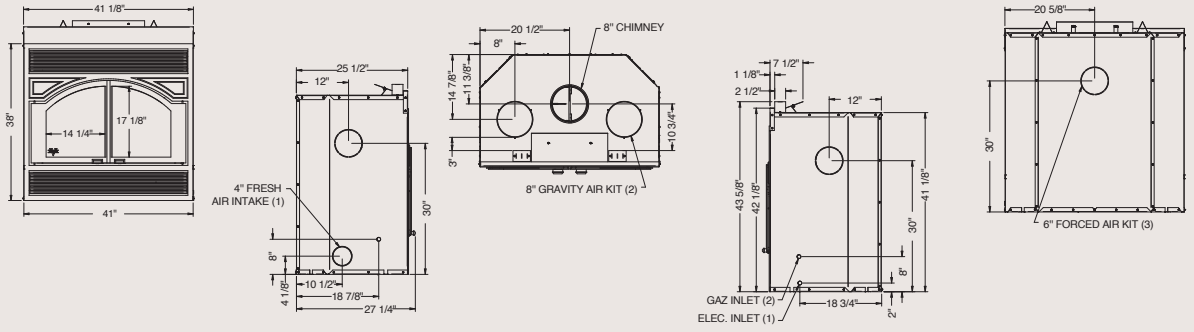


# TECHNICAL DATA

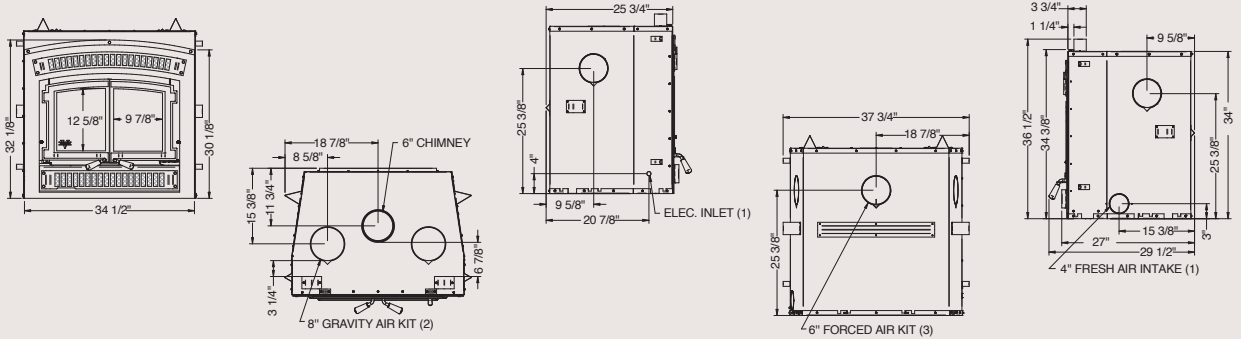
## ME150



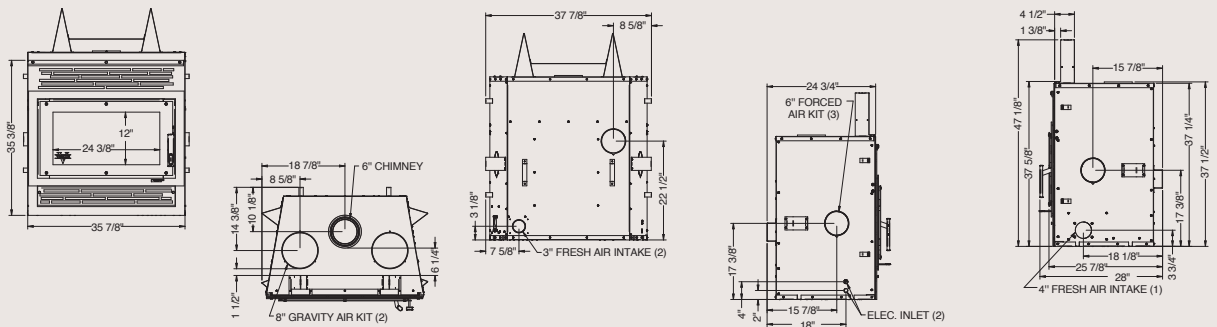
## ME300



## HE200

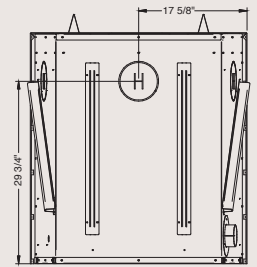
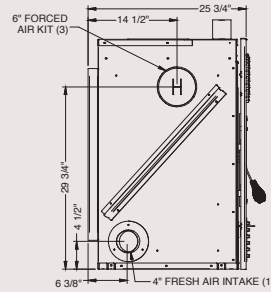
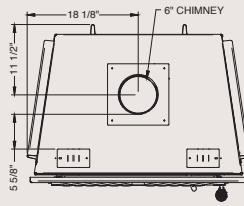
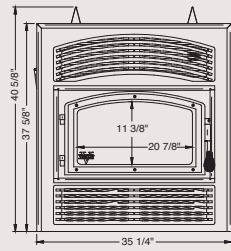


## HE250

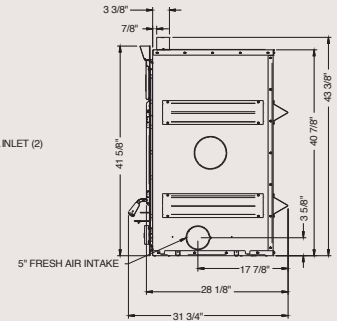
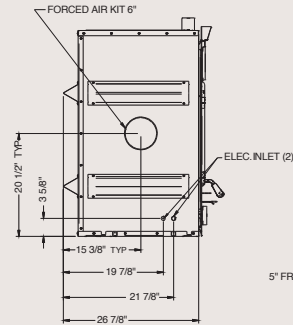
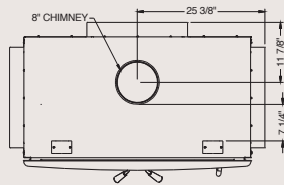
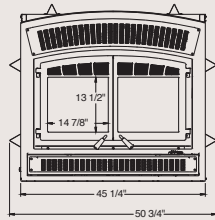


Technical data contained in this catalogue are for reference only. Any installation must be done according to the data and drawings detailed in the owner's manual.

## HE300



## HE350



# HOW TO DIFFERENTIATE EACH TYPE OF FIREPLACE



**EPA certified:** Wood fireplaces (HE200 / HE250 / HE350) have been tested with emissions below the limit imposed by the EPA wood heater standard. Just like an EPA certified wood stove, you get the benefit of an efficient, overnight burn, and you can adjust the combustion air intake from a high burn rate to a slow burn rate. Emissions are reported in grams per hour. Their efficiency is tested to the CSAB415.1-10 standard and usually tops 70%.

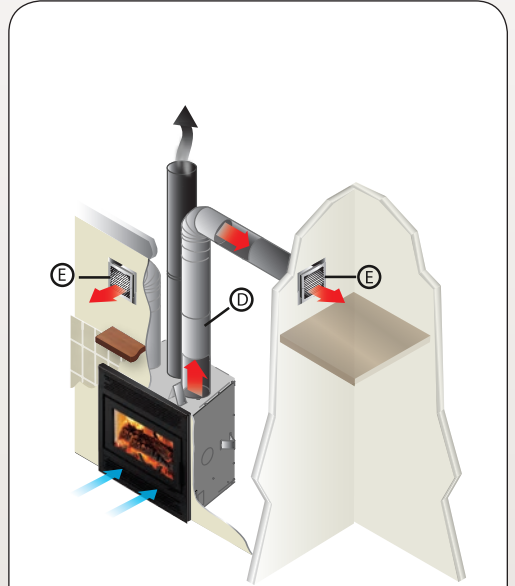
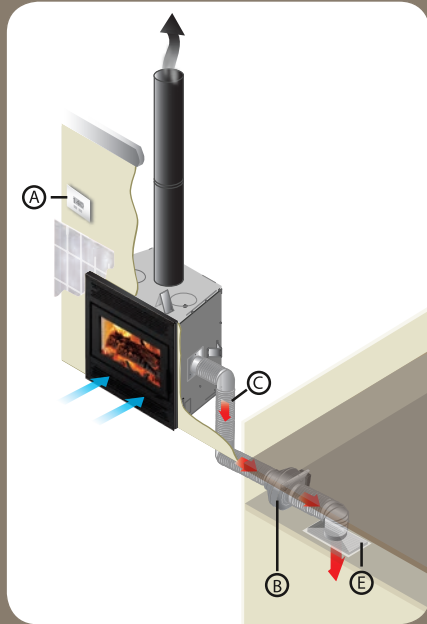
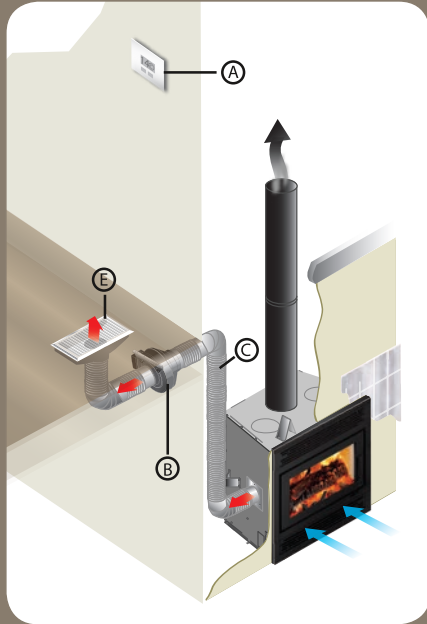
**EPA qualified:** Wood fireplaces (ME300) have been tested with particulate emissions below the limit proposed by the EPA Voluntary Wood Fireplace Program. Their emissions are reported in grams of particles generated per kilogram of wood burned. These fireplaces are used for the same purpose as conventional open wood-burning fireplaces. However these fireplaces are generally better insulated than a conventional open wood-burning fireplaces. They produce good heat and have an exceptional fire viewing area. They are great to use with the doors opened or closed. However, they are not designed for an overnight burn and have no combustion air control.

**EPA exempt:** Wood fireplaces (ME150) are designed for ambiance with the doors opened or closed. Their combustion rate is often very high; equal or higher than 5 kg/h of wood per hour. These conventional fireplaces will provide a comforting heat and an exceptional view on the fire. However, they are not designed for an overnight burn.

**CSA B415.1-10 certified:** Wood fireplaces (HE300) have been tested with a method similar to the one used by EPA. Unlike EPA certified fireplaces, fuel test used this time is wood logs and therefore comes closer to reality. Just like an EPA certified wood stove, you get the benefit of an efficient, overnight burn, and you can adjust the combustion air intake from a high burn rate to a slow burn rate.

# HEAT DISTRIBUTION SYSTEM

Certified wood fireplaces generate a lot of heat. For the most part, they generate too much for the room where they are located. Therefore, you need to manage the excess heat and send it where it is needed. To provide a solution, our research and development laboratory has designed the HEAT DISTRIBUTION SYSTEM, an innovative technology that allows the recovery of the heat produced during combustion and redirects it into distribution ducts to heat other areas in your home.



## FORCED AIR DISTRIBUTION KIT

This system allows you to manage the heat distribution automatically. Using a wall thermostat, you can select the temperature you want to maintain in the room where the fireplace is located. Once the thermostat is satisfied, the excess heat is redirected to another room up to 50 feet (15 m) away from the fireplace using a 300 CFM blower. That way, you can enjoy a nice fire in your living room without the discomfort of excess heat generated by your Ventis fireplace.

The system can also be used to supplement heat in a room remote from the fireplace. For this type of application, the thermostat needs to be positioned in the desired room and programmed with the temperature to be maintained. The system, now in "heat mode", will activate the blower as long as the temperature in the remote room is not achieved and that the fireplace has enough heat to distribute.

## HOT AIR GRAVITY DISTRIBUTION KIT

**Ventis offers you another way to distribute excess heat into your home with the help of a hot air gravity distribution kit.**

The hot air gravity distribution kit allows you to bring hot air into the same room as the fireplace, in adjacent rooms, or upstairs at a maximum distance of 10' (3 m). The minimum height of the hot air duct must be 68" (1.7 m) measured from bottom of fireplace to the top of the hot air register.

(Not available for HE350).

Suggested installation: A) Wall thermostat B) 300 CFM blower C) Hot air flexible pipe D) Hot air rigid pipe E) Air register. The information contained in this page is for reference purposes only. For more details about the installation requirements of the kits and their content, please refer to the owner's manuals. For more details about the installation requirements of the

**forced air distribution kit** or the **hot air gravity distribution kit**, visit : <http://www.occanada.com/en/service-support/heat-distribution-system>



**OLYMPIA**

OLYMPIA CHIMNEY  
OF CANADA Inc.  
"Your Partner in the Business"

CHEMINÉES OLYMPIA  
DU CANADA inc.  
"Votre partenaire en affaires"

# Venting products sold directly to hearth professionals!

The best product selection in the industry!

- › Perfect match between all components
- › Products easy to install and lightweight

STAINLESS STEEL FLEX LINER



# The best warranty in the business.

The Olympia commitment to quality shows with its award winning line of products.

2100 INSULATED CHIMNEY



# It all starts with superior pipe!

DOUBLE WALL BLACK STOVE PIPE



# The superior choice!

These innovative solutions meet high safety and quality standards.

PELLET VENT



[www.occanada.com](http://www.occanada.com)

Some changes may have been made to the products or technical data after the publication of this brochure. Olympia Chimney of Canada reserves itself the right to modify its products without any obligation on its part.

PUB163A

