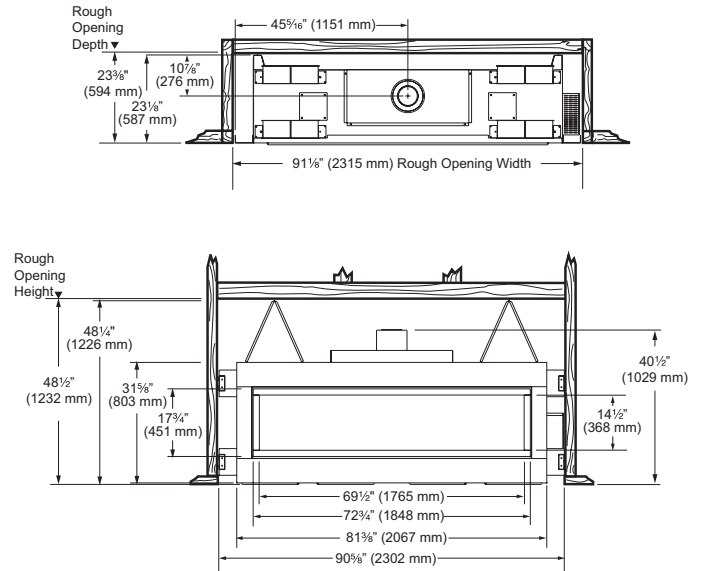


# PRODUCT SPECIFICATIONS AURA DIRECT VENT GAS FIREPLACE

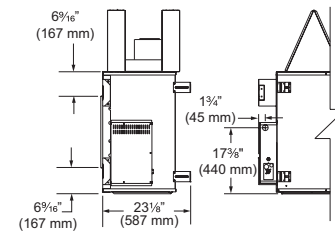


## GLASS VIEWING AREA

69 1/2" W x 14 1/2" H (1008 sq. in.)  
(1765 mm x 368 mm, 6504 cm<sup>2</sup>)

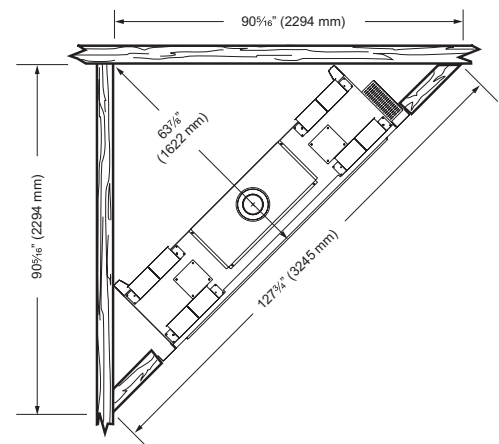
## STANDARD FEATURES

- Crisp, sleek lines suit today's contemporary demand
- ClearView non-reflective ceramic glass appears nearly invisible
- Total Signature Command™ System with touch screen remote (TSFSC)
- Comes standard with Onyx and Diamond glass, and stone kit
- Porcelain panels in Black or Bronze (required)
- Hidden side controls
- Included conversion kit easily converts from natural gas to liquid propane
- Floor illumination using standard light bulbs
- Needs only single 5" x 8" top vent termination
- Includes required non-combustible board
- Power Vent compatible (but not required for typical installations)



## FIELD INSTALLED ACCESSORIES

- Three optional surrounds in Black Texture, Iron Age, or Stainless Steel
- Optional Black Texture inside trim kit for non-combustible wall finishes
- Optional driftwood log set
- Alternate glass kit colors available in Sapphire, Bronze, and Emerald



A Brand of Monessen Hearth Systems Co.  
149 Cleveland Drive, Paris, Kentucky 40361  
[www.vermontcastings.com](http://www.vermontcastings.com)

SEE BACK FOR MORE INFORMATION

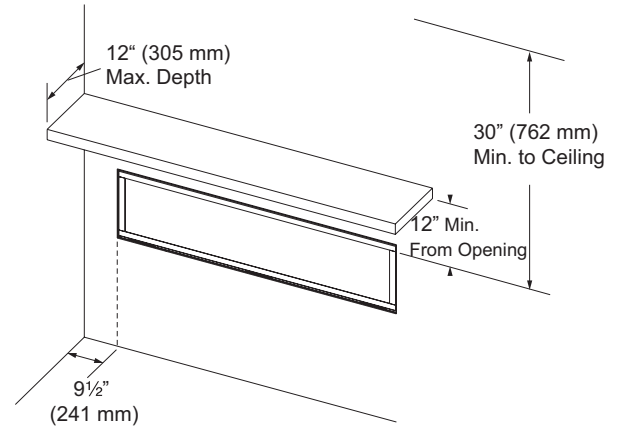
# PRODUCT SPECIFICATIONS AURA DIRECT VENT GAS FIREPLACE

(CONTINUED)



## TECHNICAL INFORMATION

BTU Input: 51,000 Max., 34,000 Min. (Nat) / 43,000 Max, 32,000 Min. (LP)  
 Ignition System: Signature Command System  
 Gas Type: Natural Gas or Liquid Propane  
 Gas Line: 1/2" (12.7 mm) Flex line w/ shut off 1/2" (12.7 mm) FPT  
 Compatible Pipe: 5" x 8" (127 mm x 203 mm) Selkirk, Simpson Dura-Vent, Metalfab, ICC  
 Flue Type: Dedicated Top Vent  
 Low Voltage Wall Switch Wire: 15' (4.5 m) wire with wall switch and cover  
 Design Certified: CSA



## CLEARANCE AROUND FLUE

Horizontal: 3" (76 mm) all sides  
 Vertical: 3" (76 mm) all sides  
 Outside Wall: 1" (25 mm) all sides

## CLEARANCE TO COMBUSTIBLES

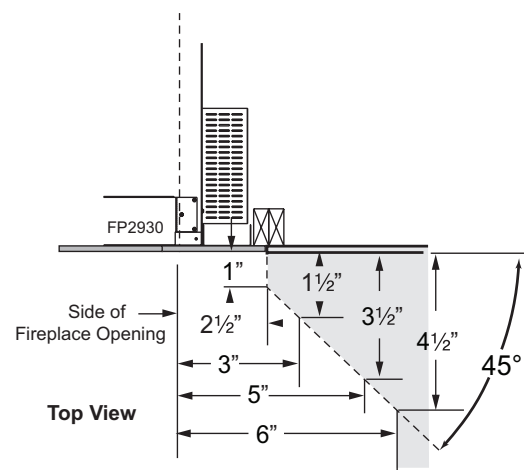
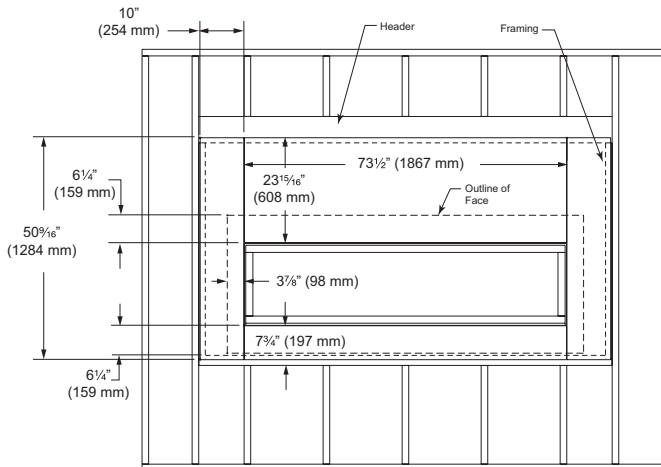
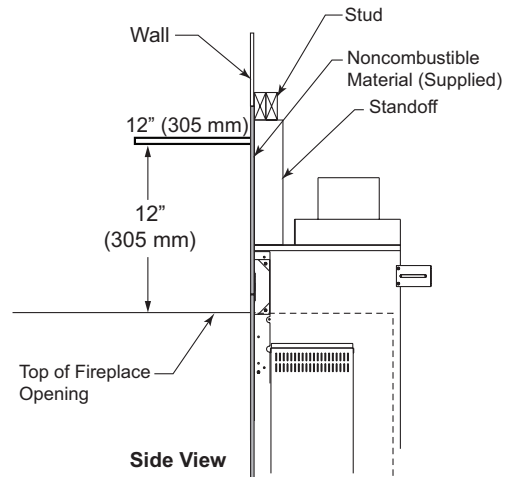
Fireplace: 0" Clearance to stand offs all sides  
 Top of unit to Ceiling: 30" (762 mm)  
 Firebox Opening to Wall: 9 1/2" (241 mm)  
 Hearth Requirement: 0" Clearance

## EFFICIENCY DATA

Thermal Efficiency: Up to 80%  
 AFUE Efficiency: 71.5% (Nat) / 77.5% (LP)  
 P4 Canada Efficiency: 79.3% (Nat) / 79.8% (LP)

## MANTEL CLEARANCES

Note: The combustible area above the facing must not protrude more than 3/4" from the facing. If it does, it is considered a mantel and must meet the mantel requirements listed in the owner's manual.



To avoid personal injury or property damage, the product described by this brochure must be installed, operated and maintained in strict compliance with the instructions packaged with the product and all applicable building or fire codes. Contact local building or fire officials about restrictions and installation inspection requirements. All photographs and drawings on this brochure are for illustrative purposes only and are not intended for, nor should they be used as a substitute for the instructions packaged with the unit. Appearance and specifications of the product are subject to change without notice. © 2011 Monessen Hearth Systems Co. 0611v.1