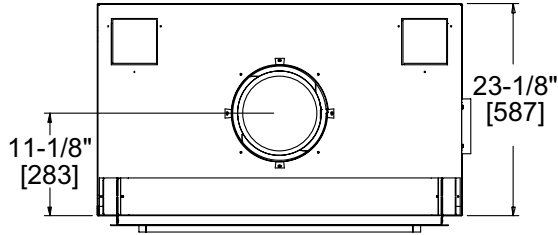




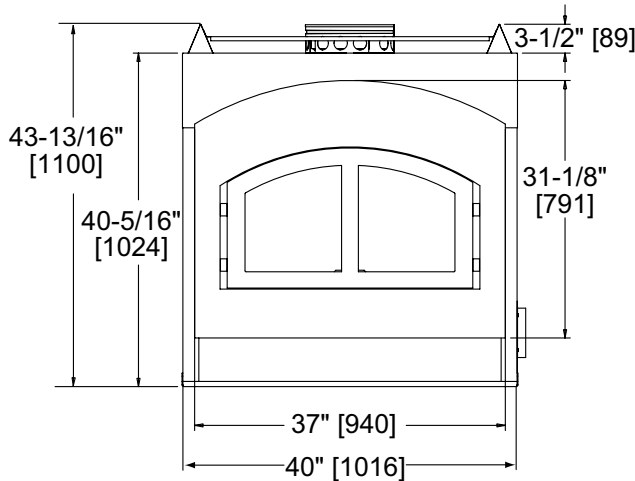
Please consult the manufacturer's installation manual for all details and requirements before making a final design layout decision.

# Constitution Wood Fireplace

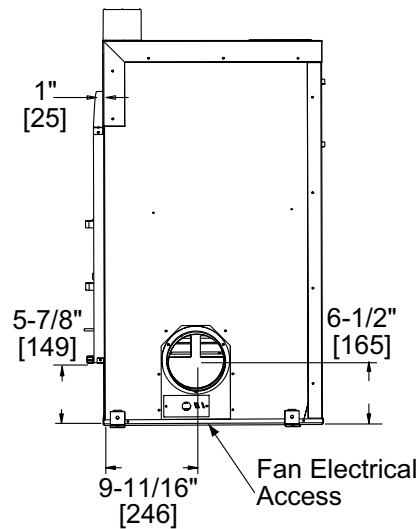
MODEL	FRONT WIDTH		BACK WIDTH		HEIGHT		DEPTH		FIREPLACE OPENING
	Actual	Framing	Actual	Framing	Actual	Framing	Actual	Framing	
C40	40	42	40	42	43-13/16	43-7/8	23-1/8	24	37 x 31-1/8



Top View

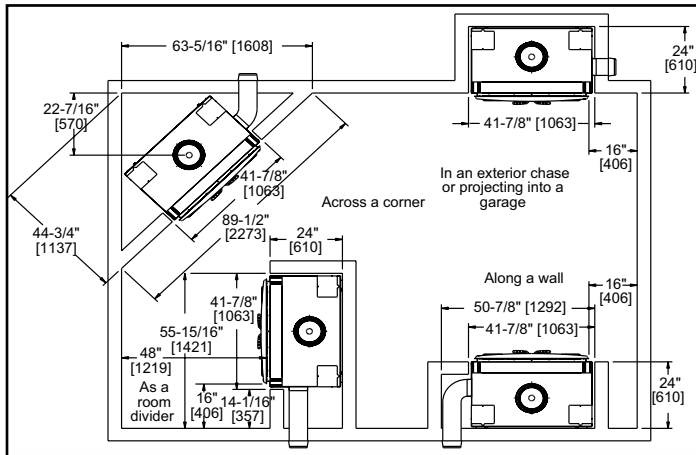


Front View

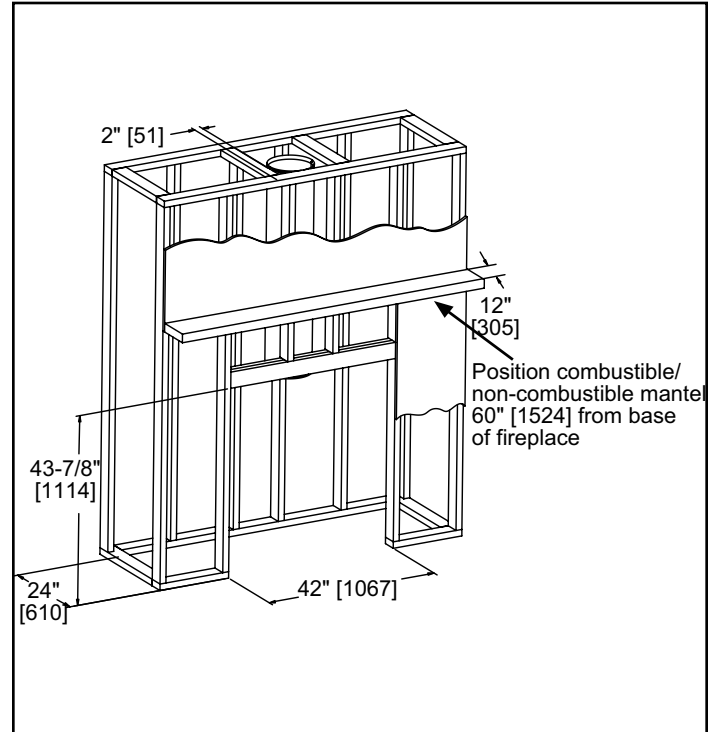


Right Side View

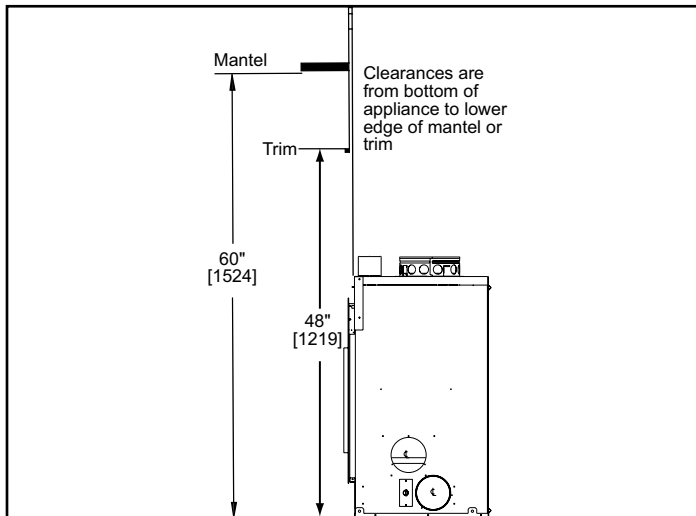
**APPLIANCE LOCATION**



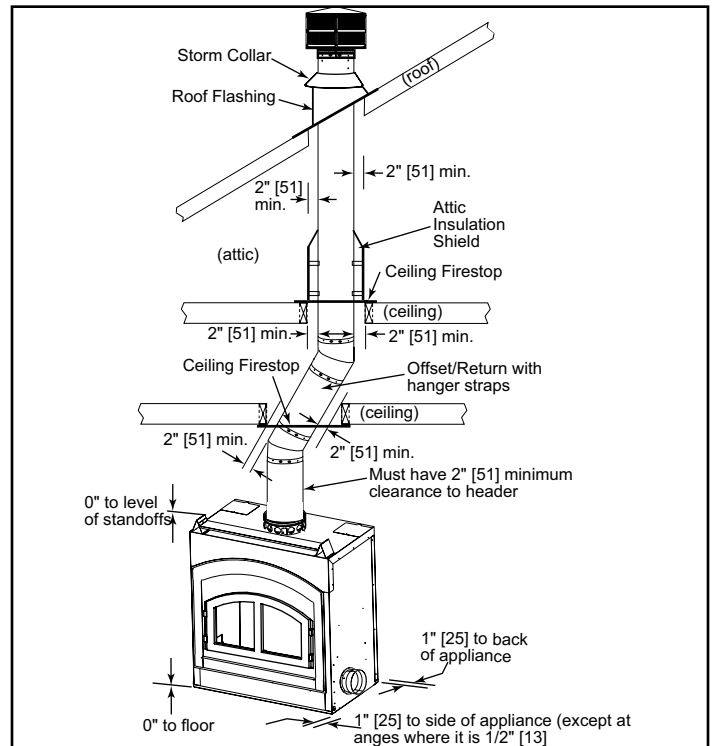
**FRAMING DIMENSIONS**



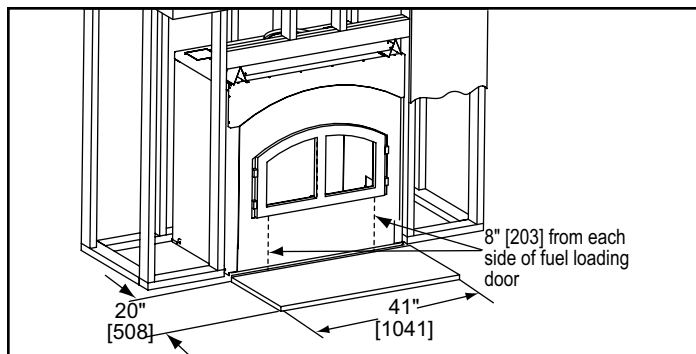
**MANTEL PROJECTIONS**



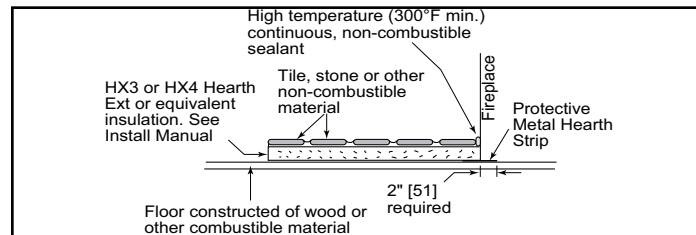
**CLEARANCES TO COMBUSTIBLES**



**HEARTH EXTENSIONS**



**HEARTH EXTENSION CONSTRUCTION**



PRODUCT LISTING CODES	
US	UL 127
CAN	ULC-S610-M87

Product information provided is not complete and is subject to change without notice. Product installation must adhere strictly to instructions accompanying product to avoid risk of fire and potential injury.

Additional information can be found online at [www.heatilator.com](http://www.heatilator.com)