



heatilator[®]
The first name in fireplaces

Constitution

EPA Phase II Compliant wood-burning fireplace

Constitution EPA Phase II Compliant wood-burning fireplace

Exceptional Value Proven Dependability

Enjoy intense, efficient fires in any environment. This wood-burning powerhouse exceeds the strictest environmental standards in the nation. Proven technology delivers precision start-up and air control for clean, consistent burns and extended performance. Sit back, relax and let the Constitution blaze.

Features

- 51,000 BTUs—heats 1,000 to 2,600 sq. ft. ¹
- 2.7 cu. ft. interior capacity / 24" maximum log length
- Up to 10 hours of burn time from each load of wood
- Dual 140 CFM fans

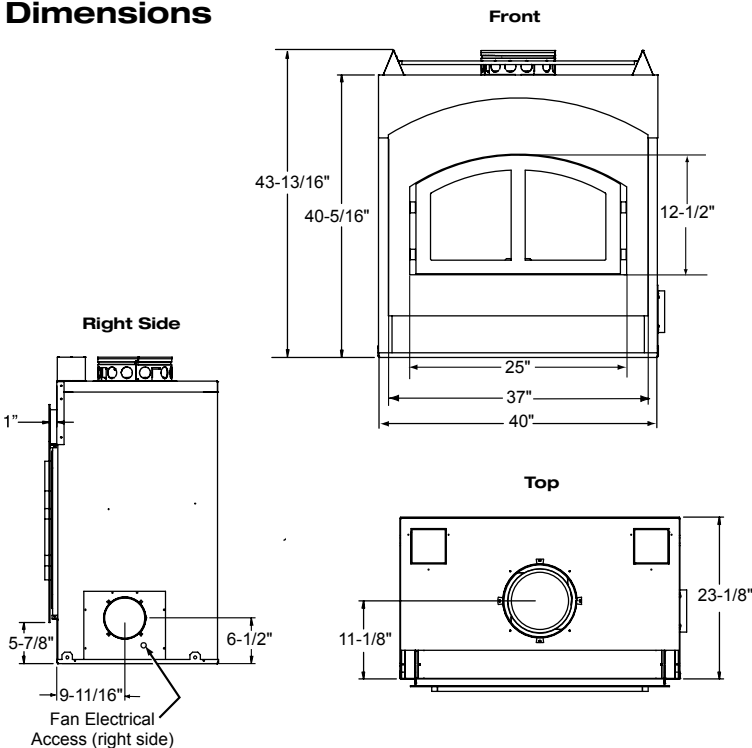
Options

- Fire screen
- Heat distribution kit
- Hearth extension ²
- Lintel bar

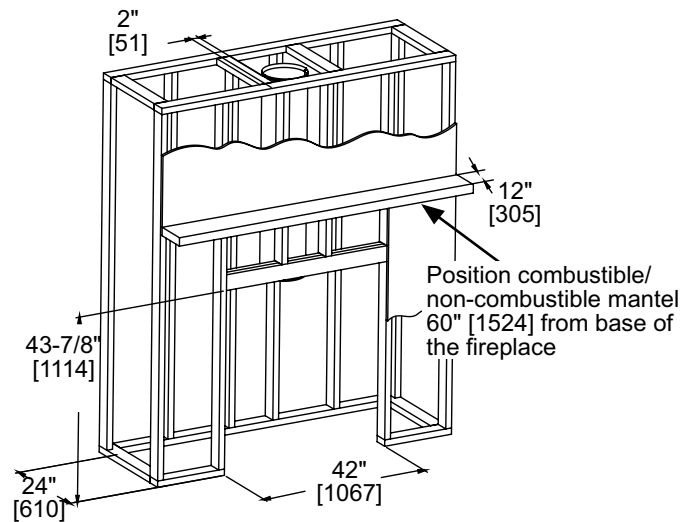


Above & Cover: Constitution shown standard.

Dimensions



Framing Dimensions



Available From

heatilator
The first name in fireplaces

A brand of Hearth & Home Technologies Inc.

1915 West Saunders Street
Mt. Pleasant, Iowa 52641
800-927-6841 | heatilator.com

[facebook.com/Heatilator](https://www.facebook.com/Heatilator)

twitter.com/Heatilator

[youtube.com/HeatilatorFireplaces](https://www.youtube.com/HeatilatorFireplaces)

Limited Lifetime Warranty³

The strongest in the industry, Heatilator provides a limited lifetime warranty on wood-burning products of the most important aspects: firebox and heat exchanger.

¹ See your local authorized Heatilator dealer for help in determining the product that best suits your heating needs based on climate and home efficiency.

² Required for installation

³ For full warranty details go to heatilator.com.

The information provided in this literature is for planning purposes only and subject to change. Please consult the installation manual for actual installation. Actual product appearance may differ from product images. Fireplace glass and other surfaces get extremely HOT and can cause severe burns if touched. Keep a safe distance away. To learn more visit www.heatilator.com/fireplacesafety



HTL-1025U-0413