



To strive to make the most competitive and highest quality products available. Traditional craftsmanship defines each product from wood and anthracite cookstoves to custom metal fabrication. With a goal of high efficiency and low maintenance, DS products are built to last a lifetime. With four divisions, Stove Manufacturing, Retail, Wholesale, and Custom Fabrication, DS strives for excellence in everything they produce.

Which DS product is right for you?

	First Floor	Basement	Whole Home	Forced Hot Air	Anthracite	Wood	Gas	Freestanding Unit	Hot Water Heating	Greenhouse / Shop
Anthra-Max	•	•	•	•				•		
Anthra-Max Fireplace Insert	•	•	•	•						
Anthra-Glo	•	•	•	•				•		
Aqua-Gem Boilers #1100, 3200, 4200		•	•	•					•	•
Aqua-Stoke		•	•	•					•	•
Comfort Max	•	•	•	•				•		
Ecomiser		•	•	•	•					•
EnergyMax #110	•	•	•	•				•		
EnergyMax #160		•	•	•				•		•
Gas Boiler		•	•				•		•	•
Gas Furnace		•	•				•			•
GH Blast				•	•			•		•
HeatRight		•	•	•				•		
HECO Cookstove	•		•	•	•			•		
Kozy-King		•	•	•	•					•
Power Boilers #5000, 6000, 7000				•	•				•	•
Stoker Furnace		•	•	•	•				•	

Things To Consider When Purchasing

#450 GH Blast Furnace.....

#300 GH Blast Furnace.....

Outside Fire Door.....

Air Thermostat.....

CO & Smoke Alarm.....

Stovepipe _____ft. _____in.
 Black Stainless Steel

Elbows (2 Max) _____Pieces
 Black Stainless Steel

Screws For Stovepipe
 Black Stainless Steel

Damper
 Manual Barometric

Insulated Chimney _____ft.
 Masonry Stainless Steel

Subtotal _____

Tax _____

Total _____

DS2023

Prices are subject to change without notification

Authorized Dealer



GH Blast

Models #450 & #300



**Large Area
Furnace For
A Variety Of
Systems**

Where Tradition, Craftsmanship, and Quality Come First

Whole Home Heating Solutions Since 1980

Highly Efficient, Non-Electric Heating

The GH Blast Furnace requires no electricity to heat the entire area. Each unit has a powerful heat exchanger combined with the DS Hot Air Circulator System for excellent gravity circulation!



Shown w/ Optional Insulated Outside Fire Door

SPECIFICATIONS

Model Number	450	300
Fuel	Wood or Anthracite	Wood or Anthracite
Heating Area (Recommended)	Up To 10,000 sq. ft.	Up To 7,000 sq. ft.
Heating Area (Greenhouse)	Up To 4,500 sq. ft.	Up To 3,000 sq. ft.
BTU (Approx)	450,000	300,000
Efficiency (Approx)	80%	80%
Firebox Size (WxD)	24" x 52"	24" x 40"
Firebox Volume	20 cu. ft.	12 cu. ft.
Log Size	48"	36"
Fire Door Size (WxH)	18" x 18"	18" x 16"
Ash Door Size (WxH)	16.5" x 8.5"	16.5" x 8.5"
Top Exhaust Size	10"	8"
Overall Size (WxDxH)	40.5" x 62.5" x 78"	40.5" x 52.5" x 71"
Overall Size w/ Outside Fire Door	40.5" x 81" x 78"	40.5" x 68" x 71"
Outside Door Framing Opening	40.75" x 75.5"	40.75" x 69.5"
Weight	2,425 lbs.	2,000 lbs.
U.L. Tested	No	No
Warranty	5 Year Limited	5 Year Limited

CLEARANCE FROM COMBUSTIBLES

Front	60"	60"
Back	36"	36"
Right Side	36"	36"
Left Side	36"	36"
Corner	36"	36"
Ceiling	56"	56"
Flue / Stovepipe	18"	18"

All units require a Class "A" all fuel chimney. Installation must conform to state and local codes.

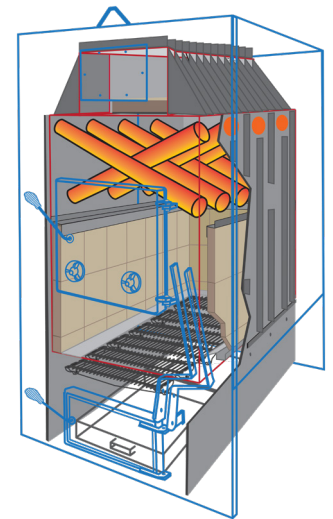
FEATURES

- Specializing in Shop or Greenhouse Applications
- Natural or Forced Draft Options
- Heat Exchanger To Maximize Efficiency
- Constructed From Heavy Plate Steel
- Optional Air Thermostat
- Optional Insulated Outside Fire Door
- Manufactured In Lancaster County, PA

THE DS HOT AIR CIRCULATOR SYSTEM



Interior View



Tubes throughout the firebox increase the heating surface area by approximately 50%. Heat rises inside the tubes, drawing cooler air from the bottom of the furnace. This convection process produces circulation with no need for electrical blowers or fans, meaning even heat throughout your shop or greenhouse. Works best when installed on the north or west side of the greenhouse in a gravity flow application.