

WRT3920WS

EPA Wood Burning Fireplaces Specifications

Cat. #	Model	Description
F3557	WRT3920WS	Fireplace, Black Door

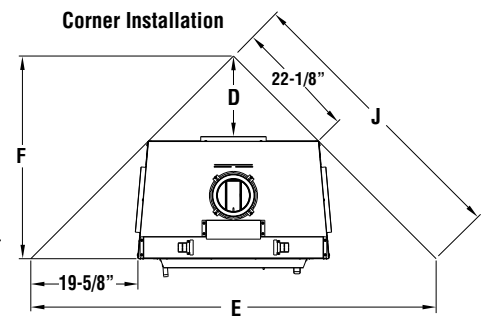
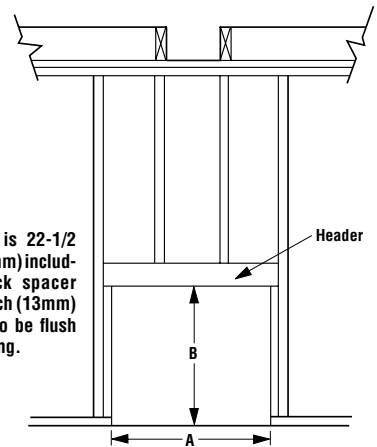
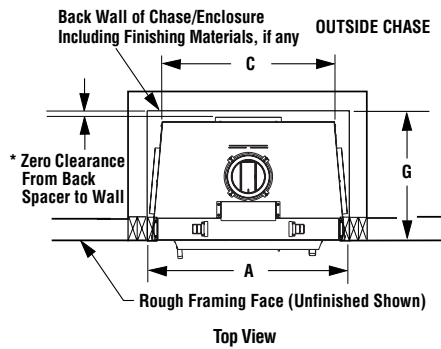
PRODUCT REFERENCE INFORMATION	
Weight	215 lbs
Height	37-5/8"
Width	32-3/4"
Depth	22-1/2"
Firebox W x H x D measured in front	19-1/2" x 13-1/4" x 12"
Chimney Weight ASHT*, DTC** Ø 6"	6.25 lb/ft.
Chimney Weight AC* Ø 6"	3.25 lb/ft.
Chimney Weight S-2100+* Ø 6"	10.8 lb/ft.

*Available from Security Chimneys®

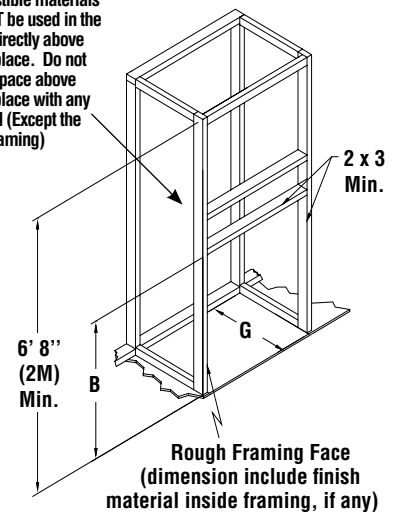
**Available from DuraVent®

FRAMING DIMENSIONS		
A	36"	915 mm
B	37-3/4"	959 mm
C	31-3/8"	797 mm
D	14-7/8"	378 mm
E	74-3/8"	1889 mm
F	37-1/4"	946 mm
G	*22"	559 mm
J	52-5/8"	1337 mm
K	8"	203 mm

Framing Dimensions

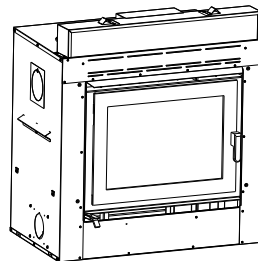
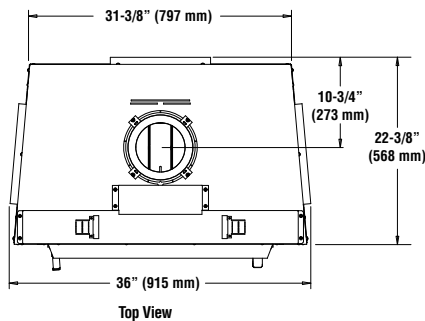


Combustible materials can NOT be used in the space directly above the fireplace. Do not fill the space above the fireplace with any material (Except the wood framing)

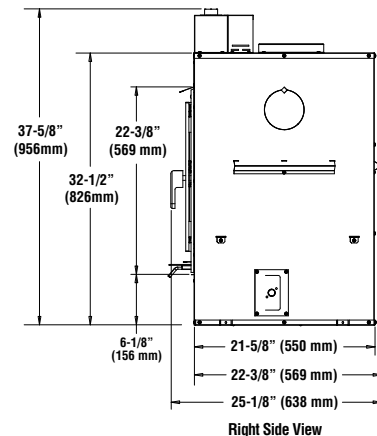
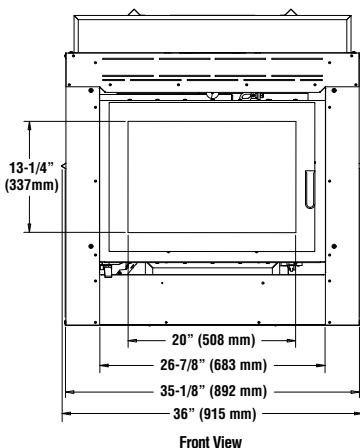
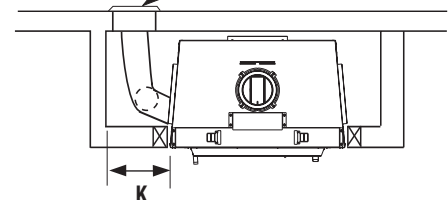


* Total depth is 22-1/2 inches (572mm) including the back spacer minus 1/2 inch (13mm) for drywall to be flush with the facing.

Fireplace Dimensions



Optional Combustion Air Kit



Listing Information

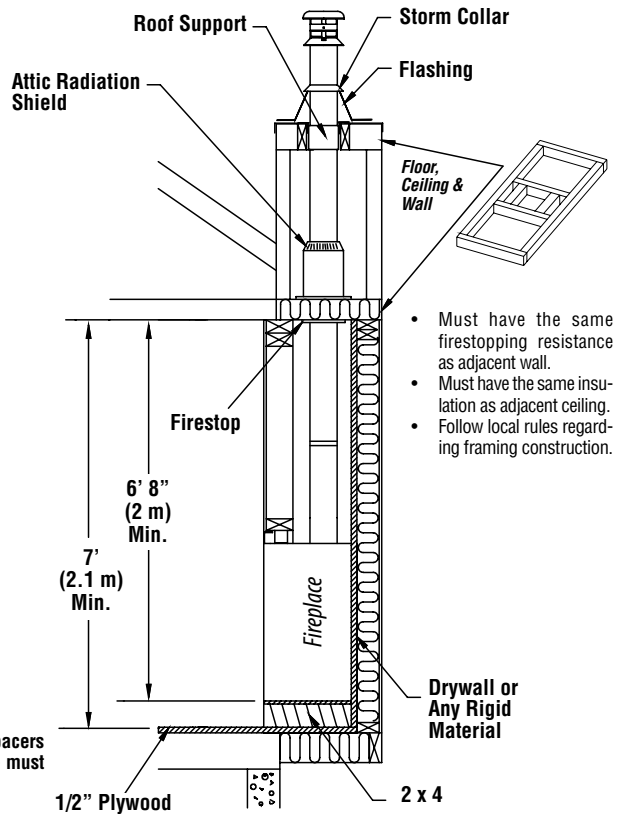
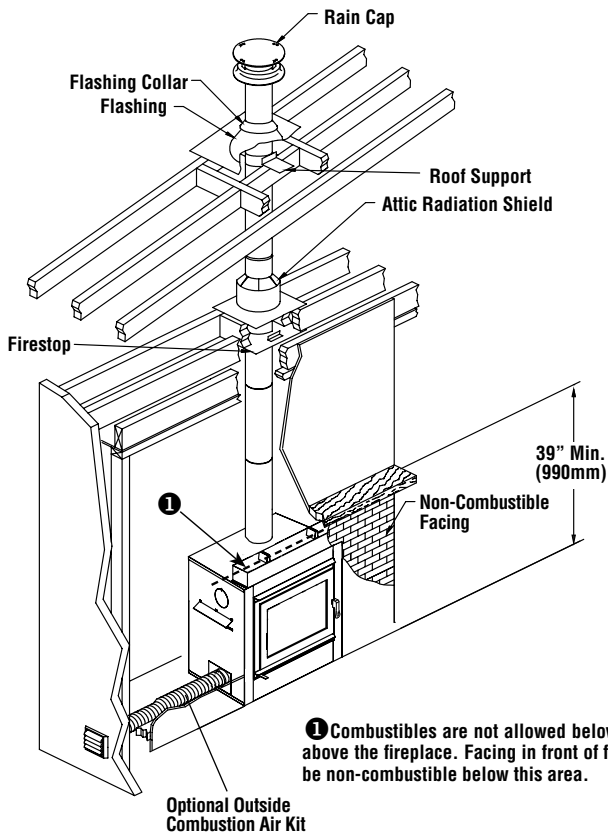
Notes	
Diagrams, illustrations and photographs are not to scale – consult installation instructions. Product designs, materials, dimensions, specifications, colors and prices are subject to change or discontinuance without notice.	
All framing dimensions calculated for 1/2" dry wall at the fireplace face. If sheathing the chase or finishing with other thickness materials, calculations will need to be made.	
The fireplace must not be in contact with any insulation or loose filling material. Cover the insulation with drywall panels around the fireplace.	

PFS Listed to ULC-S610 & UL-127
C US EPA Cert. No. 111-17
 Report No. 14-181

WRT3920WS

EPA Wood-Burning Fireplaces Specifications

Typical Installations



CLEARANCE TO COMBUSTIBLES

The following clearances meet the minimum requirements for a safe installation;

Side wall: 17" (324 mm) measured from the fireplace side

Ceiling: 6' 8" (2,032 mm) measured from the base of the fireplace

Fireplace enclosure:

- Bottom:** 0"
- Side:** 0" to spacer
- Back:** 0" to spacer
- Top:** Do not fill the space above the fireplace with any material (Except the wood framing)

Chimney: 2" (50mm). Chimney type *: 6 in. diameter, certified model ASHT+*, S-2100+*, HT6000+*, HT6103+*, DuraTech DTC**, AC or 7 in. ASHT*, HT6103*.

Mantel: 39" (990mm) measured from the base of the fireplace.

*Available from Security Chimneys®
**Available from DuraVent®

Combustible Clearances

Hearth Extension and Mantel

