

INTRODUCING THE  
**FIREVIEW**  
 WOOD COOKSTOVE



by  
**Elmira**  
**Stove** For true originals  
**Works**



*The latest advance in the way things used to be...*

The Fireview is a high-efficiency, air-tight wood-burning cookstove that is perfect for your home, cottage or camp. It serves as a high-output room heater, cooking appliance, attractive fire-viewing stove and, with the optional water jacket, a source of hot water – all using a renewable energy source. For even more cooking versatility, add the optional propane side burners.

*Fireview wood-burning cookstoves... efficiency and styling you can really warm up to!*

48" Model 1842-G Dual Fuel (wood/propane)

**Features**

- Big 1.6 cu. Ft. firebox – 30-60,000 BTU output
- Secondary air for clean, efficient burn
- Spacious 3.0 cu. Ft. oven – fits a large turkey
- Fireview door for enjoyment and fire control

**Options**

- 11,000 BTU propane side burners
- Heat shield reduces clearances to combustibles
- Nickel trivet, legs and skirts
- Water jacket in firebox for hot household water



36" Model 1840 (wood-burning)  
 with optional Nickel Victorian Trivet,  
 Nickel Front Legs and Nickel Front Skirt

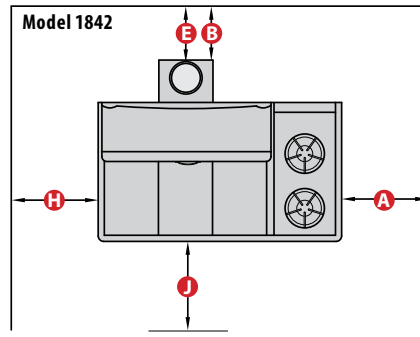
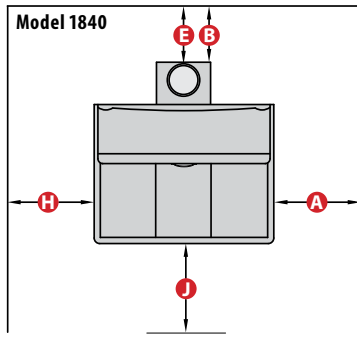


48" Model 1842-0 (wood-burning)  
 with no options

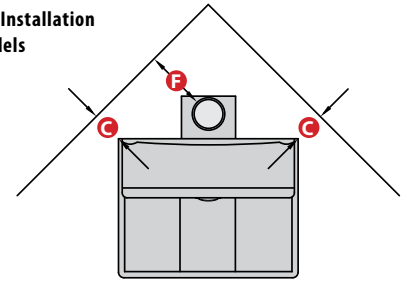


48" Model 1842-G Dual Fuel (wood/gas)  
 with optional Nickel Victorian Trivet  
 and Nickel front legs.

## FIREVIEW CLEARANCES AND SPECIFICATIONS



**Corner Installation  
All Models**



Model 1840	A	B	C	E	F	G	H	J	Measure
<b>No Heat Shield</b>	10	18	13	18	18	60	18	48	inches
Using Single Wall Pipe	254	457	330	457	457	1524	457	1219	mm.
<b>With Heat Shield</b>	10	3	10	6	6	60	18	48	inches
Using Double Wall Pipe	254	76	254	152	152	1524	457	1219	mm.

Model 1842	A	B	C	E	F	G	H	J	Measure
<b>No Heat Shield</b>	3	18	13	18	18	60	18	48	inches
Using Single Wall Pipe	76	457	330	457	457	1524	457	1219	mm.
<b>With Heat Shield</b>	3	3	10	6	6	60	18	48	inches
Using Double Wall Pipe	76	76	254	152	152	1524	457	1219	mm.

**G = vertical distance from cooking surface to combustibles above the stove.**

**Note:** A certified double-wall stove pipe must be used to maintain 6" clearance (dimension E) from pipe to combustibles. The approved stove pipe must extend from the chimney connector to the stove.

**Note:** These are factory-recommended clearances. Local, state or provincial building and fire codes take precedence and must be observed. Clearances are subject to change without notice.

When heat shield is installed, **dimensions B and F** are taken from heat shield. ("Heat shield" refers to complete stove/-pipe shield kit.) **Dimension E** is taken from outside edge of pipe.

	1840	1842-0	1842-G
<b>OVERALL DIMENSIONS</b>			
Width	35 3/4"	49 1/2"	49 1/2"
Height	67 1/4"	67 1/4"	67 1/4"
Height to Cooking Surface	35"	35"	35"
Depth including Flue Boot	36 5/8"	36 5/8"	36 5/8"
Depth without Flue Boot or Doors (door clearance for delivery)	28 1/2"	28 1/2"	28 1/2"
Assembled Weight / Shipping Weight (with skid)	428 / 454 lb.	450 / 485 lb.	465 / 500 lb.
Carry Weight (no doors, plates, brick, grate, cabinet, etc.)	145 lb.	160 lb.	165 lb.
<b>OVEN DIMENSIONS</b>			
Capacity		3.0 cu. ft.	
Width		18 1/4"	
Height		11 1/2"	
Depth		24 3/8"	
<b>FIREBOX</b>			
<b>Flue Size</b>		<b>6"</b>	
Capacity		1.6 cu. ft.	
Width		9 1/4"	
Height		13 1/2"	
Depth		22"	
Ideal Log Length		16" to 18"	
Secondary Air		YES	
Heat Output		30,000 to 60,000 BTU / Hr.	
Approximate Area Heated		800-1800 sq. ft.*	
<b>OTHER FEATURES AND OPTIONS</b>			
Sealed Gas Burners, 11,000 BTU Liquid Propane	N/A	N/A	2
Auto-Ignition for Gas Burners (9V Battery Powered)	N/A	N/A	YES
Overhead Warmer	Standard	Standard	Standard
Side Warmer	N/A	Standard	Standard
Fireview Door		Standard	
Colors Available		Black	
Nickel Door Frames		Standard	
Nickel Victorian Trivet		Optional	
Nickel Front Legs		Optional	
Nickel Front Skirt		Optional	
Nickel Side Skirts		Optional	
Water Jacket (side - 10 gallons/hr or rear - 5 gallons/hr)		Optional	
Heat Shield Kit		Optional	

\*figures may vary with individual conditions

### Elmira Stove Works

285 Union Street, Elmira, Ontario, Canada N3B 3P1  
 (519) 669-1281, Fax: (519) 669-1774, Toll Free: (800) 295-8498  
 www.ElmiraStoveWorks.com



**Obadiiah's**

**1-800-968-8604**

---

**WOODSTOVES**

*Serving you online since 1999*