

**QUALITY PERFORMANCE RELIABILITY**



*Warmth from the heart of J.A.ROBY INC.*



**PAMPERO**

See inside for details

**DIRECT VENT GAS FIREPLACE**

# QUALITY PERFORMANCE RELIABILITY

At J. A. ROBY, we have been working in the heating industry for over 35 years, selling, among other things, stoves, fireplaces, furnaces, wood-burning cooking stoves, and fuel oil and ethanol fireplaces. Wishing to expand our range of heating products with gas appliances, we decided to analyze market trends and needs. We came to the conclusion that the "central" gas fireplace was the most sought after model in North America and it simply did not exist. So we created it!

## J. A. ROBY GAS FIREPLACES

### ONE FIREPLACE – SEVEN CONFIGURATIONS

All J. A. ROBY gas fireplaces come with four glass sides and the right number of thermal insulating panels and protective grilles required for the model ordered. To modify the configuration, simply remove thermal insulating panels and replace them with a protective grille or vice versa. In only 15 minutes, you have a brand new fireplace configuration: peninsula, panoramic, corner or even central!

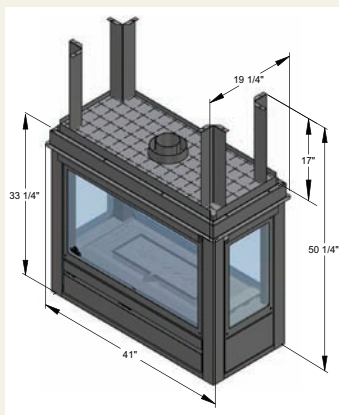


- ✓ EACH UNIT IS FACTORY TESTED
- ✓ SEALED COMBUSTION CHAMBER
- ✓ PROTECTIVE GRILLE INCLUDED
- ✓ AUTOMATIC PRESSURE-RELEASE SYSTEM
- ✓ INSTALLATION APPROVED IN CANADA AND THE UNITED STATES
- ✓ TESTED BY INTERTEK AND IN COMPLIANCE WITH ANSI Z21.50-2012 AND CSA 2.22-2012 STANDARDS

The original burner configuration creates a variable-height flame that dances brightly for the entire length of the fireplace, giving you an unparalleled continuous flame.

### IMPRESSIVE VIEW

The PAMPERO model is hands down the most popular model of our direct vent gas fireplace line. It offers an impressive view on all sides and is a great feature in a contemporary decor. With up to 32,000 BTU of heating power, the PAMPERO model comes with a clear ember bed on which you can add real-looking logs.



Model	PAMPERO (central)			
BTU's (Input)	NG	LPG	Min. BTU	Glass type
	25,000	27,000 32,000	12,500 17,280 20,480	Tempered Tempered Ceramic
Venting	Top	Rigid venting	Flex venting	
		4" X 6 3/4"	4" X 7"	
Dimensions	Real	Framing		
	• Height	33 3/4"	50 3/4"	
	• Width	39"	39"	
• Depth	17 1/2"	17 1/2"		
Glass size	Real	Framing		
	• Large	30 1/2"	33 1/2"	
• Small	9 3/4"	11 3/4"		
Glass area (in <sup>2</sup> )	1389"			
Steady state	79%			
Blower/fan kit	Option			
Electronic ignition	Yes			

Certified under national Canadian and American standards ANSI Z21.50 - 2012 • CSA 2.22-2012 for direct vented gas fireplace

### ADVANTAGES AND FEATURES

- Up to 32,000 BTU
- Full-vision fireplace
- Clear glass embers included
- Very realistic logs (optional)
- Electronic ignition with battery-powered troubleshooter and adjustable heat and flame height control
- Reversible inside panel with brick pattern on one side and black metallic finish on the other side
- Top exhaust vent
- Protective grille included
- Original burner design for an unparalleled flame
- PROFLAMME 2 remote control included
- Available for propane or natural gas
- "SmartCase™" cartridge exclusive to J. A. ROBY
- Certified for all the rooms in the house
- Can work with or without electricity
- Backed by the J. A. ROBY limited lifetime warranty



**Obadiiah's**

**1-800-968-8604**

---

**WOODSTOVES**

*Serving you online since 1999*