

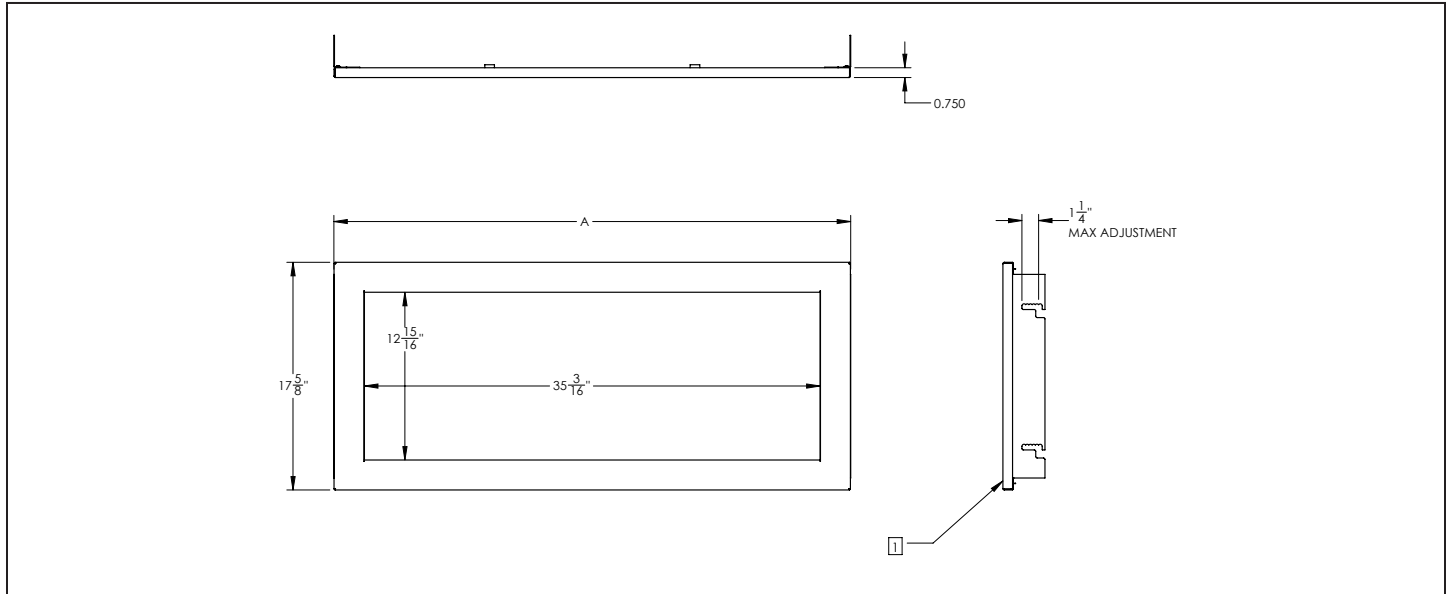
ACIES™ SERIES DIRECT VENT GAS APPLIANCE



Specifications

Model	BTU	Width		Height		Depth		Viewing Area
		Actual	Framing	Actual	Framing	Actual	Framing	
L38N	24,000	57 5/16	53 13/16	41 3/16	74	17 11/16	18	40 3/4 X 18 5/8
L38N2	24,000	57 5/16	53 13/16	41 3/16	74	16 3/16	16 3/16	40 3/4 X 18 5/8
L50N	30,000	69 5/16	65 13/16	41 3/16	74	17 11/16	18	52 3/4 X 18 5/8
L50N2	30,000	69 5/16	65 13/16	41 3/16	74	16 3/16	16 3/16	52 3/4 X 18 5/8

Front Options



Framing Dimensions

single-sided

note:
Before framing the appliance, ensure to install the firestop first.

note:
The L series requires a minimum enclosure height of 73" measured from the bottom of the appliance. For temperature requirements, this area must be left unobstructed. Some venting configurations that require more vertical rise will require a larger enclosure to provide minimum vertical clearance between vent pipes and combustibles. It is also recommended that the enclosure be ventilated at the top and bottom to circulate the hot air.

minimum framing

Ref	L38	L50
E	17 15/16" (45.6cm)	17 15/16" (45.6cm)
F	53 13/16" (136.7cm)	65 13/16" (167.2cm)
J	Optional - Appliance does not need to be elevated above floor	
*L	73" (185.4cm)	73" (185.4cm)

see-thru

note:
Before framing the appliance, ensure to install the firestop first as it will not fit between the studs if installed after framing.

note:
The L series requires a minimum enclosure height of 73" measured from the bottom of the appliance. For temperature requirements, this area must be left unobstructed. Some venting configurations that require more vertical rise will require a larger enclosure to provide minimum vertical clearance between vent pipes and combustibles. It is also recommended that the enclosure be ventilated at the top and bottom to circulate the hot air.

minimum framing

Ref	L38	L50
E	16 3/16" (41.1cm)	16 3/16" (41.1cm)
F	53 13/16" (136.7cm)	65 13/16" (167.2cm)
J	Optional - Appliance does not need to be elevated above floor	
*L	73" (185.4cm)	73" (185.4cm)

* Minimum enclosure height may be higher depending on venting configuration (see minimum distance to combustibles).

Product information provided is not complete and is subject to change without notice. Please consult the installation manual for the most up to date installation information.

ACIES™ SERIES DIRECT VENT GAS APPLIANCE



Product information provided is not complete and is subject to change without notice. Please consult the installation manual for the most up to date installation information.

Dimensions

single-sided

	L38	L50
A (Finishing Flange)	40 3/4" (1035mm)	52 3/4" (1340mm)
B	53 5/16" (1354mm)	65 5/16" (1659mm)
C	57 5/16" (1456mm)	69 5/16" (1761mm)

*Finishing flange depth. (The finishing flange defines the perimeter of the fireplace opening. Framing or finishing materials must NEVER encroach inside the finishing flange.)

see-thru

	L38	L50
A (Finishing Flange)	40 3/4" (1035mm)	52 3/4" (1340mm)
B	53 5/16" (1354mm)	65 5/16" (1659mm)
C	57 5/16" (1456mm)	69 5/16" (1761mm)

*Finishing flange depth. (The finishing flange defines the perimeter of the fireplace opening. Framing or finishing materials must NEVER encroach inside the finishing flange.)

Wall Penetration

single-sided

note: Shaded components (finish framing) must be non-combustible materials.

- 3" [76mm] top (outside of enclosure)
- 2" [51mm] sides / bottom (outside of enclosure)
- 6" [152mm] minimum (inside enclosure)
- 3" [76mm] top (outside of enclosure)
- 2" [51mm] sides / bottom (outside of enclosure)
- 0" to non-combustible finishing such as brick and stone
- When passing through a wall, use freestop spacer W615-0162 (supplied with W010-4178 freestop spacer assembly)

Horizontal vent sections: A minimum clearance of 3" (76mm) on the top outside of the enclosure and 2" (51mm) on the sides and bottom outside of the enclosure all around the vent pipe on all horizontal runs to combustibles is required. Horizontal vent sections within enclosures require a minimum clearance of 6" (152mm) at the top of the vent pipe.

Vertical vent sections: A minimum of 1" (25mm) all around the vent pipe on all vertical runs to combustibles is required except for clearances in appliances enclosures. Vertical vent sections within enclosures require a minimum clearance of 1" (25mm) around the vent pipe.

note: The L series requires a minimum enclosure height of 73" (185.4cm) measured from the bottom of the appliance. For temperature requirements, this area must be left unobstructed. Some venting configurations that require more vertical rise will require a larger enclosure to provide minimum vertical clearance between vent pipes and combustibles. It is also recommended that the enclosure be ventilated at the top and bottom to circulate the hot air.

see-thru

note: Shaded components (finish framing) must be non-combustible materials.

- 3" [76mm] top (outside of enclosure)
- 2" [51mm] sides / bottom (outside of enclosure)
- 6" [152mm] minimum (inside enclosure)
- 3" [76mm] top (outside of enclosure)
- 2" [51mm] sides / bottom (outside of enclosure)
- 0" to non-combustible finishing such as brick and stone
- When passing through a wall, use freestop spacer W615-0162 (supplied with W010-4178 freestop spacer assembly)

Horizontal vent sections: A minimum clearance of 3" (76mm) on the top outside of the enclosure and 2" (51mm) on the sides and bottom outside of the enclosure all around the vent pipe on all horizontal runs to combustibles is required. Horizontal vent sections within enclosures require a minimum clearance of 6" (152mm) at the top of the vent pipe.

Vertical vent sections: A minimum of 1" (25mm) all around the vent pipe on all vertical runs to combustibles is required except for clearances in appliances enclosures. Vertical vent sections within enclosures require a minimum clearance of 1" (25mm) around the vent pipe.

note: The L series requires a minimum enclosure height of 73" (185.4cm) measured from the bottom of the appliance. For temperature requirements, this area must be left unobstructed. Some venting configurations that require more vertical rise will require a larger enclosure to provide minimum vertical clearance between vent pipes and combustibles. It is also recommended that the enclosure be ventilated at the top and bottom to circulate the hot air.

Combustible Mantel Clearances

notes: Min. height is 18" (45.7cm) for a 2" (50mm) protrusion as a starting point.

Mantel depth: 25 11/16" (65.2cm)

Mantel height: 24" (61cm)

Top of finishing flange

Bottom of finishing flange

Bottom of the appliance

Optional hearth extension (no depth restriction)

Appliance Location

minimum framing

	L38	L50
E	17 15/16" (45.6cm)	17 15/16" (45.6cm)
F	53 13/16" (136.7cm)	65 13/16" (167.2cm)
G	63 3/4" (162cm)	72 1/4" (183.5cm)
H	18 3/16" (46.2cm)	18 3/16" (46.2cm)
I	90 3/16" (229cm)	102 3/16" (259.5cm)

Do not put objects in front of the appliance (minimum distance of 4 feet)