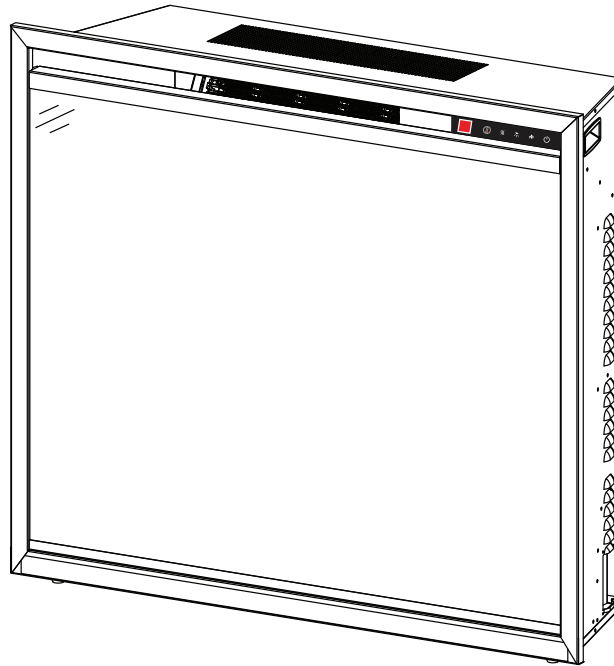




# INSTALLATION AND OPERATION MANUAL

## Element™ Electric Appliance (NEFB42H-BS-1 Illustrated)



**SAFETY INFORMATION**

**⚠ WARNING**

**FIRE OR EXPLOSION HAZARD**

If the information in these instructions are not followed exactly, a fire or explosion may result causing property damage, personal injury, or loss of life.

- Do not store or use gasoline or other flammable vapors and liquids in the vicinity of this or any other appliance.

**INSTALLER:**

Leave this manual with the appliance

**CONSUMER:**

Retain this manual for future reference



**This appliance has a remote that requires button batteries that are hazardous to young children.**

**FOR INDOOR USE ONLY**

**CERTIFIED TO THE CANADIAN AND AMERICAN NATIONAL STANDARDS:  
CSA C22.2 NO. 46 / UL 2021**

APPLY SERIAL NUMBER LABEL FROM CARTON



Wolf Steel Ltd., 24 Napoleon Rd., Barrie, ON, L4M 0G8 Canada / 103 Miller Drive, Crittenden, Kentucky, USA, 41030  
Phone 1 (866) 820-8686 • www.napoleon.com • hearth@napoleon.com

**! WARNING**

- **If equipped with a heater, this appliance can be hot when operated and can cause severe burns if contacted.**
- Do not operate appliance before reading and understanding operating instructions. Failure to operate appliance according to operating instructions could cause fire or injury.
- Do not install damaged, incomplete or substitute components.
- Do not burn wood or other materials in this appliance.
- All electric appliances have hot and arcing or sparking parts inside. Do not use it in areas where a gas line, paint or flammable liquids are present.
- Any safety screen or guard removed for servicing must be replaced prior to operating the appliance.
- It is imperative that the control compartments, circulating blower and its passageway in the appliance are kept clean. The appliance should be inspected before use and at least annually by a qualified service person. More frequent cleaning may be required due to excessive lint from carpeting, bedding material, etc. The appliance area must be kept clear and free from combustible materials, gasoline and other flammable vapors and liquids.
- Under no circumstances should this appliance be modified.
- Do not use this appliance if any part has been under water. Immediately call a qualified service technician to inspect the appliance and to replace any part of the control system which has been under water.
- If equipped with a glass door, do not operate the appliance with the glass door removed, cracked or broken. Replacement of the glass should be done by a licensed or qualified service person. Do not strike or slam shut the appliance glass door.
- Keep the packaging material out of reach of children and dispose of the material in a safe manner. As with all plastic bags, these are not toys and should be kept away from children and infants.
- Servicing should be done only while the appliance is disconnected from the power supply circuit.
- Always unplug appliance when not in use.
- Do not operate this appliance with a damaged cord or plug after the appliance malfunctions, has been dropped or damaged in any manner. Return appliance to authorized service facility for examination, electrical or mechanical adjustment, or repair.
- Do not use outdoors.
- When installing this appliance in a room where water is present, the installation must comply with codes recognizing the increased hazard of electrical shock and electrocution.

**note:**

This appliance is NOT suitable for installation in a bathroom.


- Do not run cord under carpeting. Do not cover cord with throw rugs, runners, or the like. Arrange cord away from traffic area and where it will not be tripped over.
- Connect to properly grounded outlets only.
- Do not insert or allow foreign objects to enter any ventilation or exhaust opening as this may cause an electric shock or fire, or damage the appliance.
- It is normal for your electric appliance to produce noise, especially when installed in a quiet space such as a bedroom.

 **WARNING**

- To prevent a possible fire, do not block air intakes or exhaust in any manner. Do not use on soft surfaces, like a carpet, where openings may become blocked.
- Always plug appliances directly into a wall outlet/receptacle. Never use an extension cord or relocatable power tap (outlet/power strip).
- These appliances are tested and listed for use only with the optional accessories listed in these instructions. Use of optional accessories not specifically tested for this appliance could void the warranty and/or result in a safety hazard.

**For appliances equipped with a heater:**

- Risk of burns. Power to the appliance should be turned off and the appliance allowed to cool before servicing. To disconnect power to the appliance, turn controls to off, then remove plug from outlet.
- Young children should be carefully supervised when they are in the same room as the appliance. Toddlers, young children and others may be susceptible to accidental contact burns. A physical barrier is recommended if there are at risk individuals in the house. To restrict access to an appliance or stove, install an adjustable safety gate to keep toddlers, young children and other at risk individuals out of the room and away from hot surfaces.
- Clothing or other flammable material should not be placed on or near the appliance.
- Due to high temperatures, the appliance should be located out of traffic and away from furniture and draperies.
- Ensure you have incorporated adequate safety measure to protect infants/toddlers from touching hot surfaces.
- Even after the appliance is off, the glass and/or screen will remain hot for an extended period of time.
- Check with your local hearth specialty dealer for safety screens and hearth guards to protect children from hot surfaces. These screens and guards must be fastened to the floor.
- Ensure clearances to combustibles are maintained when building a mantel or shelves above the appliance. Elevated temperatures on the wall or in the air above the appliance can cause melting, discoloration or damage to decorations, a TV or other electronic components.

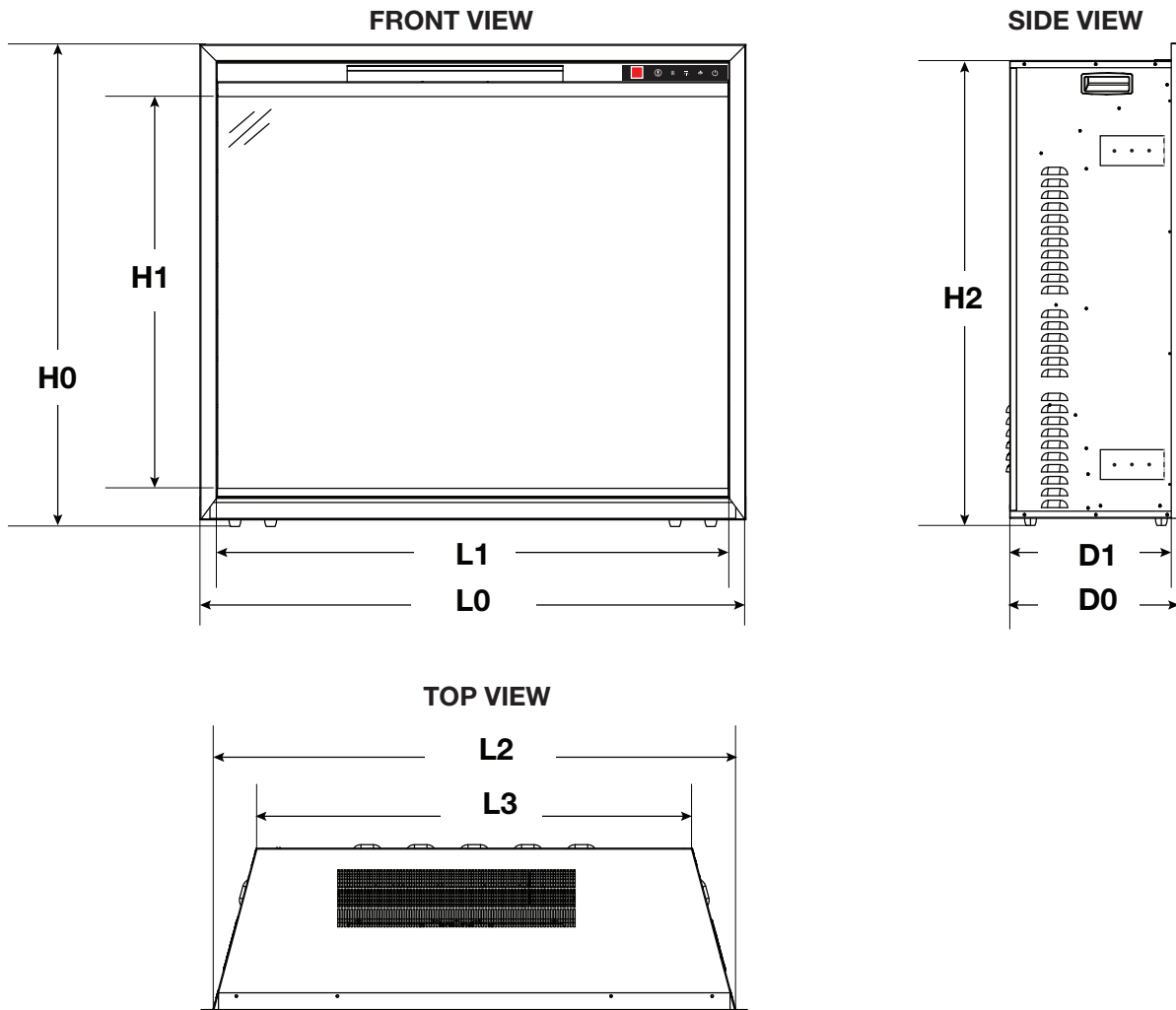
 **WARNING:** This product can expose you to chemicals including lead and lead compounds, which are known to the State of California to cause cancer, and chemicals including BBP and DEHP, which are known to the State of California to cause birth defects or other reproductive harm. For more information, go to [www.P65Warnings.ca.gov](http://www.P65Warnings.ca.gov).

<b>1.0</b>	<b>general information</b>	<b>5</b>
1.1	dimensions	5
1.2	hardware list	5
1.3	listing approvals	6
1.4	general instructions	6
1.5	unpacking and testing appliance	6
1.6	rating plate information	7
1.7	label location	7
<b>2.0</b>	<b>locating appliance</b>	<b>8</b>
2.1	grounding appliance	8
3.1	minimum clearance to combustibles	9
3.2	minimum mantel clearances	9
<b>3.0</b>	<b>installation and finishing</b>	<b>9</b>
3.3	rough framing	10
3.4	appliance installation and finishing	11
3.5	log installation (for NEFB42H-BS-1 only)	14
<b>4.0</b>	<b>electrical information</b>	<b>18</b>
4.1	120V cord plug installation	18
4.2	wiring diagram	18
4.3	hard-wiring installation	19
4.3.1	120V hard-wiring installation	19
4.3.2	240V hard-wiring installation	19
<b>5.0</b>	<b>operating instructions</b>	<b>20</b>
5.1	operating control panel	20
5.2	operating remote control	21
5.3	remote battery installation	22
<b>6.0</b>	<b>maintenance</b>	<b>22</b>
<b>7.0</b>	<b>replacement parts</b>	<b>23</b>
7.1	NEFB36H-BS-1 overview	24
7.2	NEFB42H-BS-1 overview	25
<b>8.0</b>	<b>accessories</b>	<b>26</b>
<b>9.0</b>	<b>troubleshooting</b>	<b>27</b>
<b>10.0</b>	<b>warranty</b>	<b>29</b>

**note:**

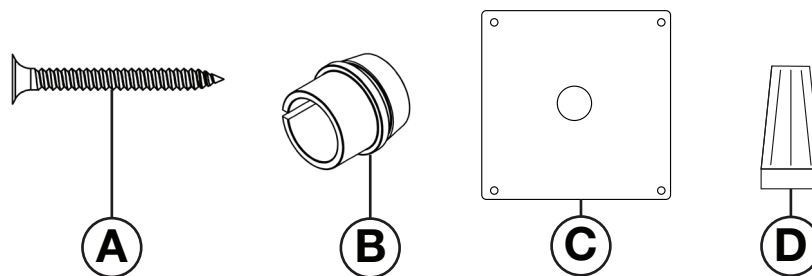
The information throughout this manual is believed to be correct at the time of printing. Wolf Steel Ltd. reserves the right to change or modify any information within this manual at any time without notice. Changes, other than editorial, are denoted by a vertical line in the margin.

1.1 dimensions



	L0	L1	L2	L3	H0	H1	H2	D0	D1
<b>NEFB36H-BS-1</b>	36 1/8" (918mm)	33 7/8" (860mm)	34 5/8" (879mm)	28 7/8" (733mm)	31 7/8" (810mm)	25 7/8" (657mm)	30 3/4" (781mm)	11 1/4" (286mm)	10 5/8" (270mm)
<b>NEFB42H-BS-1</b>	42 1/8" (1070mm)	39 7/8" (1012mm)	40 5/8" (1031mm)	33 1/2" (851mm)	31 7/8" (810mm)	25 7/8" (657mm)	30 3/4" (781mm)	14" (356mm)	13 3/8" (340mm)

1.2 hardware list



Ref.	Description	Quantity
A	Wood Screws	4
B	Strain Relief	1
C	Junction Box Cover Plate	1
D	Wire Nut	1

# general information

## 1.3 listing approvals

This appliance has been tested in accordance with the CSA Standards for fixed and location-dedicated electric room appliances in the United States and Canada. If you need assistance during installation, please contact your local dealer.

### note:

This appliance must be electrically wired and grounded in accordance with local codes or, in the absence of local codes, with the latest edition of the National Electrical Code ANSI/NFPA 70 in the United States or the Canadian Electrical Code CSA C22.1 in Canada.

Model No.	NEFB36H-BS-1	NEFB42H-BS-1
<b>Description</b>	36" Electric Appliance	42" Electric Appliance
<b>Voltage</b>	120V / 240V	
<b>Watts</b>	1500 / 3000W	
<b>Amps</b>	<b>Dedicated</b> 15 AMP Grounded Circuit	
<b>Appliance Width</b>	36 1/8" (918mm)	42 1/8" (1070mm)
<b>Appliance Height</b>	31 7/8" (810mm)	31 7/8" (810mm)
<b>Appliance Depth</b>	11 1/4" (286mm)	14" (356mm)
<b>Net Weight</b>	66.1lbs (30.0kg)	87.9lbs (39.9kg)
<b>Gross Weight</b>	74.9lbs (34.0kg)	106.9lbs (48.5kg)

## 1.4 general instructions

- Prior to plugging your appliance into an electrical outlet, verify that the house circuit breakers for the outlet are on.
- The appliance may emit a slight, harmless odour when first used. This odour is normal and it is caused by the initial heating of internal appliance elements and will not occur again.
- If your appliance does not emit heat when called for, consult the "operation" section of this manual for further information.
- Use with a CSA or UL certified surge protector.
- Do not route the power cord directly underneath the appliance.

This electric appliance meets the construction and safety standards of H.U.D. for application in manufactured homes when installed according to these instructions.

As with most electronic devices, your new electric appliance has been designed to operate at temperatures between 5°C (41°F) and 35° C (95°F). During the colder winter months, allow the appliance to reach room temperature before turning it on.

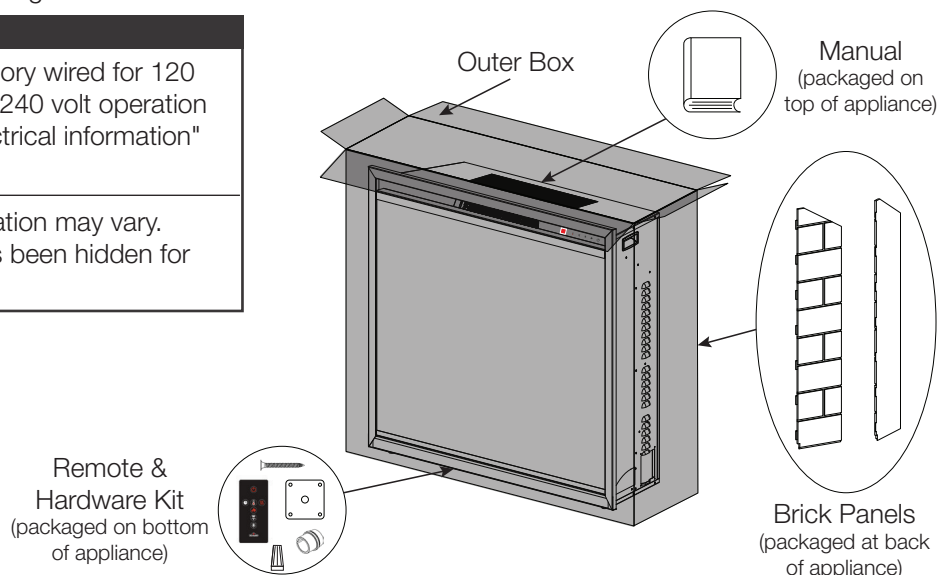
## 1.5 unpacking and testing appliance

Carefully remove the appliance from the box. Prior to installing the appliance, remove all packaging material and test to make sure the appliance operates properly by plugging the power supply cord into a conveniently located 120V, 15 Amp minimum grounded outlet.

### note:

The appliance is factory wired for 120 volt power supply. If 240 volt operation is required, see "electrical information" section.

Exact packaging location may vary. Some packaging has been hidden for clarity.



**1.6 rating plate information**

CERTIFIED UNDER CANADIAN AND AMERICAN NATIONAL STANDARD: CSA 22.2 NO. 46 AND UL 2021 /  
 HOMOLOGUÉ SELON LES NORMES NATIONALES CANADIENNES ET AMÉRICAINES:CSA 22.2 NO. 46 UL 2021

ELECTRIC FIREPLACE. SUITABLE FOR  
 BEDROOM AND BED-SITTING ROOM  
 INSTALLATION. SUITABLE FOR MOBILE  
 HOME INSTALLATION.

**CSA**  
 C US

FOYER À ÉLECTRIQUE. HOMOLOGUÉ POUR  
 INSTALLATION DANS UNE CHAMBRE À  
 COUCHER, UNE SALLE DE BAIN ET UN STUDIO.  
 APPROPRIÉ POUR INSTALLATION DANS UNE  
 MAISON MOBILE.

**MASTER CONTRACT: 161746**      **CONTRAT-CADRE: 161746**

**MODEL/MODÈLE: NEFB36H-BS-1**

**VOLTAGE: 120/240 V**      **TENSION: 120/240 V**  
**FREQUENCY: 60Hz**      **FRÉQUENCE: 60Hz**  
**POWER: 1500W/3000W**      **PUISSANCE: 1500W/3000W**  
**DATE CODE:**      **CODE DE DATE:**

DESIGNED IN NORTH AMERICA      DÉSIGNÉ AMÉRIQUE DU NORD  
 BY WOLF STEEL LTD.      PAR WOLF STEEL LTD.  
 MADE IN CHINA      FABRIQUÉ EN CHINE

**WOLF STEEL LTD.**  
 24 NAPOLEON ROAD,  
 BARRIE, ON, L4M 0G8 CANADA

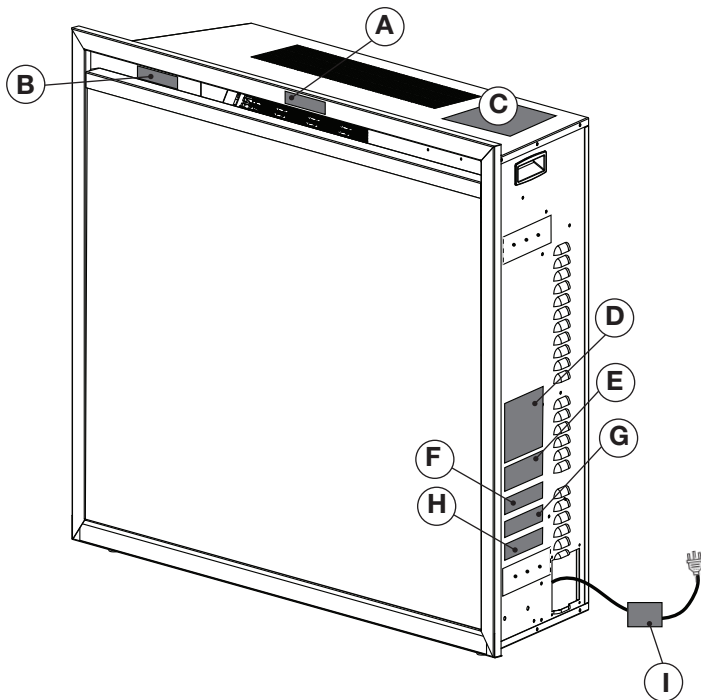
**SERIAL NUMBER/NO. DE SÉRIE: NEFB36H**      **W385-2719**

For rating plate location, see “label location” section.

This illustration is for reference only. Refer to the rating plate on the appliance for accurate information.

**note:**  
 The rating plate must remain with the appliance at all times. It must not be removed.

**1.7 label location**



Ref.	Part Number	Label Description
A	W385-2210	"Do Not Cover"
B	W385-2722 / W385-2723	Model & Serial Number
C	W385-4591	Wiring Diagram
D	W385-2719 / W385-2721	Rating Plate
E	W385-2167	"Caution"
F	W385-2163	"Warning"
G	W385-2371	120V Hard-Wiring Diagram
H	W385-2372	240V Hard-Wiring Diagram
I	W385-1943	"Warning"

## 2.0 locating appliance

### **!** WARNING

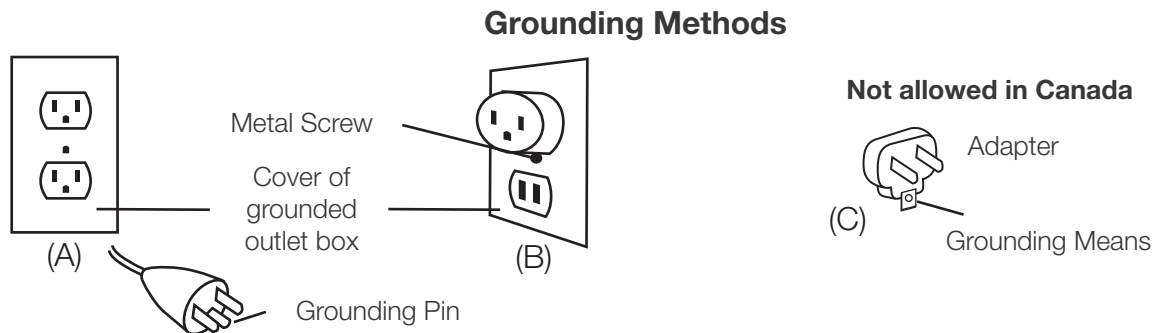
- Due to high temperatures, this electric appliance should be located out of traffic. Keep combustible materials such as furniture, pillows, bedding, papers, clothes and curtains at least 36" (91.4cm) from the front of the appliance.
- Never locate this electric appliance where it may fall into a bathtub or other water container.
- Wear safety gloves and safety glasses for protection during installation and maintenance.
- To prevent contact with sagging or loose insulation, the electric appliance must not be installed against vapor barrier or exposed insulation. Localized overheating could occur and a fire could result.
- Do not expose the electric appliance to the elements (such as rain, etc.).

### 2.1 grounding appliance

This appliance is for use on 120 volts and 240 volts. The cord has a plug as shown in (A). An adapter as shown in (C) is available for connecting three-blade grounding plugs to two-slot receptacles, as shown in (B).

The green grounding plug extending from the adapter must be connected to a permanent ground such as a properly grounded outlet box. The adapter should not be used if a three-slot grounded receptacle is available.

To disconnect the appliance, turn controls to off, then remove plug from outlet.



#### **note:**

This appliance must be connected to a dedicated 15 amp circuit. The use of an extension cord is NOT permitted.



## **! WARNING**

- Risk of fire! The power cord must not be pinched against a sharp edge. Secure cord to avoid tripping or snagging to reduce the risk of fire, electric shock, or personal injury. Do not run cord under carpeting. Do not cover cord with throw rugs, runners, or similar items. Arrange cord away from traffic areas and where it will not be tripped over.
- Risk of fire! To prevent a possible fire, do not block air intake or exhaust in any manner. Do not use on soft surfaces where openings may become blocked.
- Risk of fire! Do not blow or place insulation against the appliance.
- This electric appliance is tested and listed for use only with the approved optional accessories. Use of optional accessories not specifically tested for this electric appliance could void the warranty and/or result in a safety hazard.
- If the information in these instructions is not followed exactly, a fire or explosion may result causing property damage, personal injury, or death. Do not store or use gasoline or other flammable vapors in the vicinity of this or any other appliance.
- This appliance is heavy. It is highly recommended that two people install this appliance.
- If your appliance is equipped with a heater, ensure the heater vents cannot, in any way, be covered as it may create a fire hazard.
- Do not run the power cord horizontally, directly below the appliance.

Your NEFB36H/42H-BS-1 is a recessed appliance. Select a suitable location that is not susceptible to moisture and is away from drapes, furniture and high traffic areas.

**note:**  
Follow all national and local electrical codes.

### 3.1 minimum clearance to combustibles

Measurements are taken from the glass front.			
Bottom	0"	Top	2" to mantel
Sides	0"	Top	2" to ceiling
Back	0"		

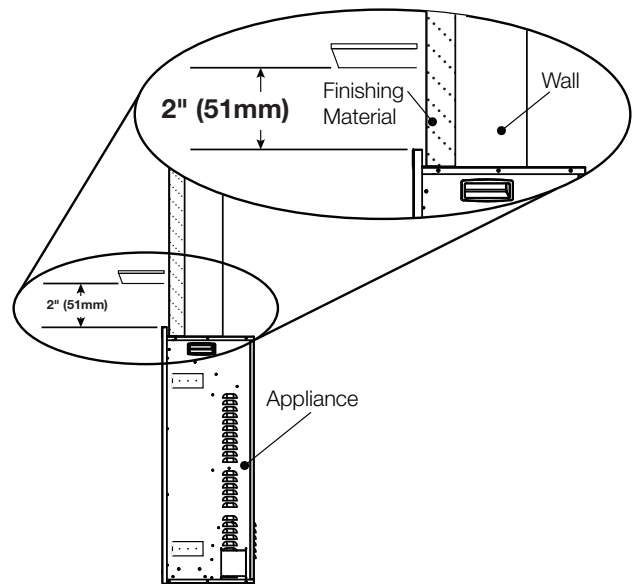
**note:**

The power switch is located on the upper right hand side of the appliance. Ensure to maintain access to this switch at all times.

### 3.2 minimum mantel clearances

## **! WARNING**

- When using paint or lacquer to finish the mantel, the paint or lacquer must be heat resistant to prevent discolouration.



# installation and finishing

## 3.3 rough framing

### ! WARNING

- Select a location that is not prone to moisture and is located at least 36" (91.4cm) away from combustible materials such as curtains, drapes, furniture, bedding, paper, etc.

#### note:

It is recommended to complete finishing of the wall before fully securing the appliance.

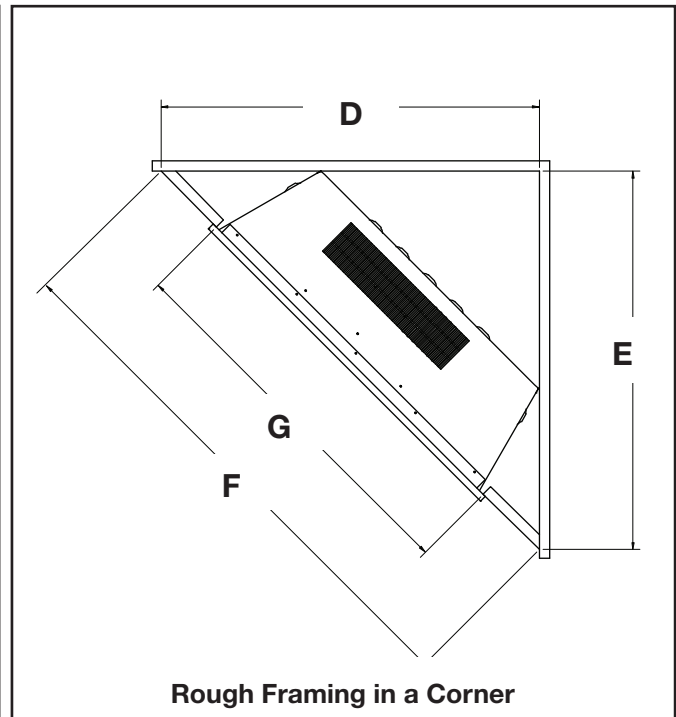
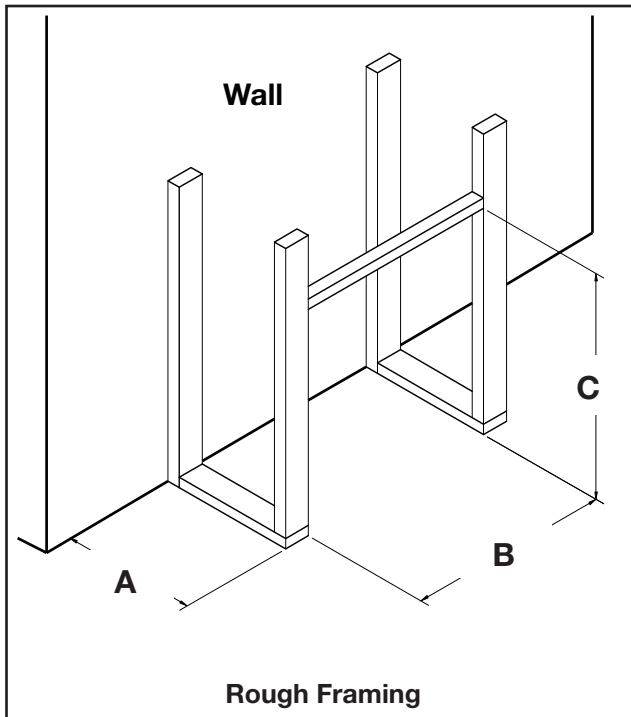
Once the rough framing and the finishing materials have been prepared and the power has been routed to the right side of the recess, the appliance may be installed.

The electrical connection must be made prior to placing the appliance into position (see "electrical information" section).

Have two people lift the appliance into position.

In order to avoid the possibility to exposed insulation or vapour barrier coming in contact with the appliance body, it is recommended that the walls of the appliance enclosure be "finished" (i.e. drywall / sheet rock, etc.) as you would finish any other outside wall of a home. This will ensure that clearance to combustibles is maintained within the enclosure.

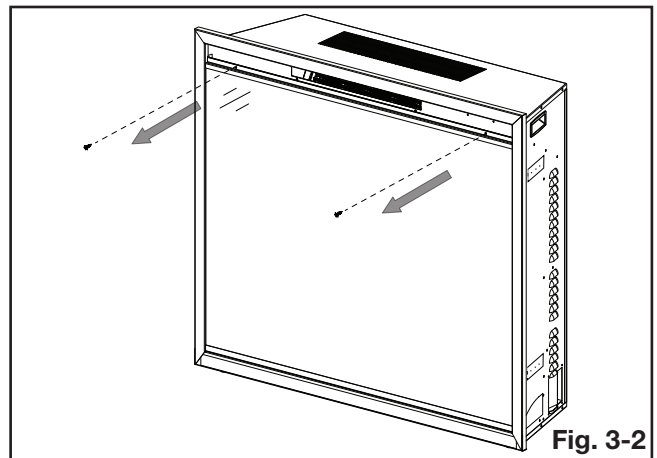
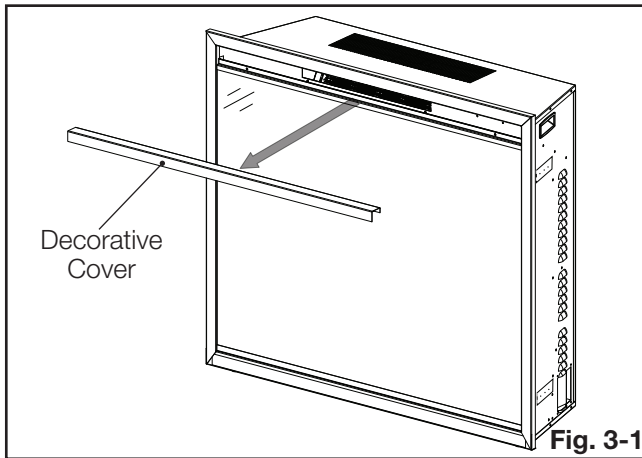
### ROUGH FRAMING



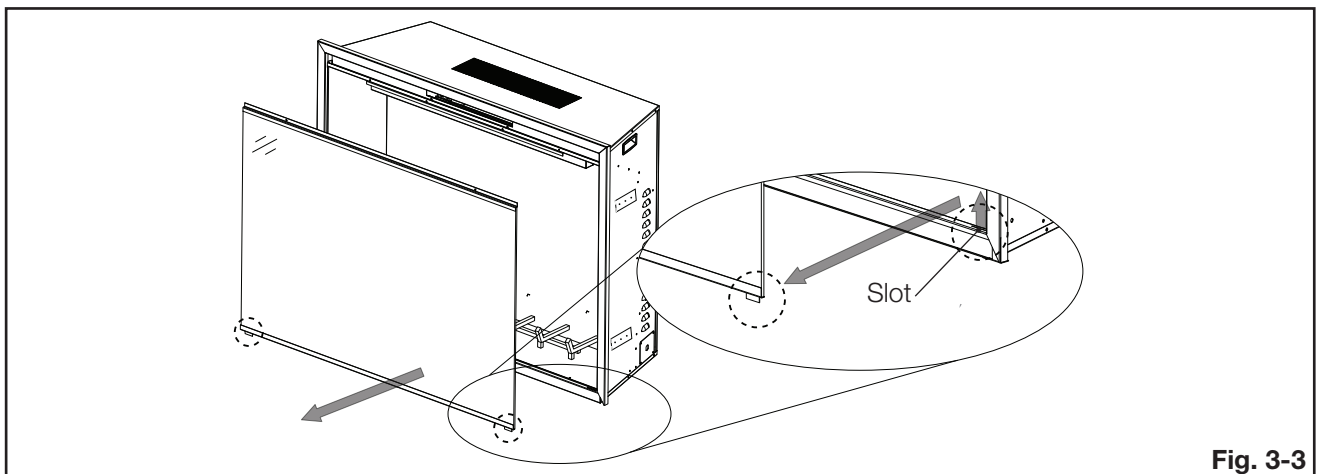
	A	B	C	D	E	F	G
<b>NEFB36H-BS-1</b>	11" (279mm)	35 1/2" (902mm)	31 1/4" (794mm)	35 1/2" (902mm)	35 1/2" (902mm)	50 1/4" (1276mm)	35 1/2" (902mm)
<b>NEFB42H-BS-1</b>	13 3/4" (349mm)	41 1/2" (1054mm)	31 1/4" (794mm)	41 1/2" (1054mm)	41 1/2" (1054mm)	58 3/4" (1492mm)	41 1/2" (1053mm)

## 3.4 appliance installation and finishing

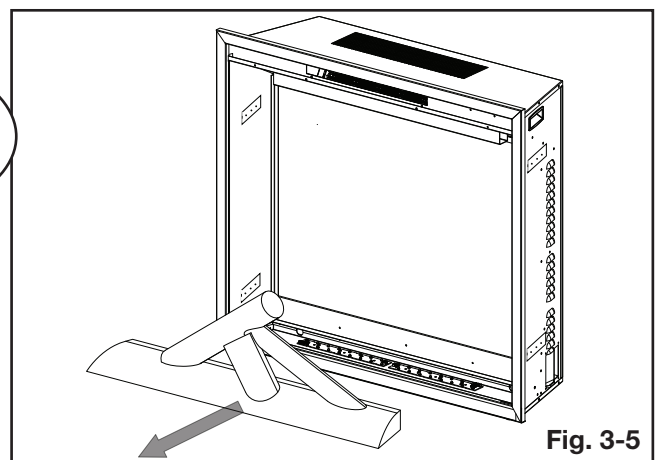
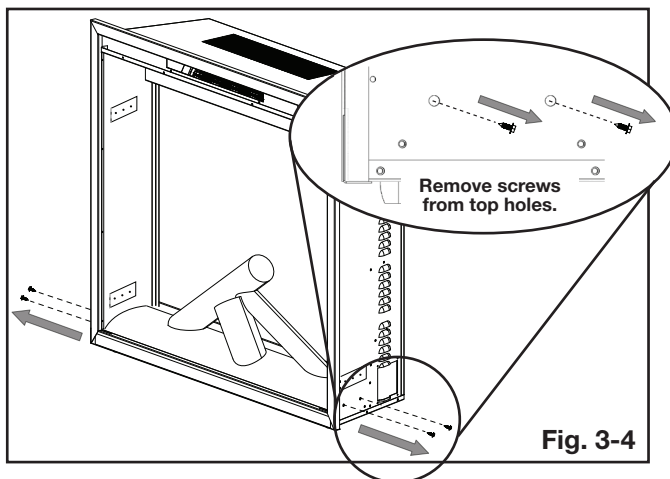
1. Remove the front decorative cover held in place by 2 magnets (**Fig. 3-1**).
2. With one hand on the glass door to prevent it from falling, remove the 2 screws holding the glass door in place (**Fig. 3-2**).



3. Carefully lift the glass door out of the 2 slots in the bottom of the firebox (**Fig. 3-3**). Set the glass door on a soft, non-abrasive surface.



4. **FOR NEFB36H-BS-1 ONLY:** Remove the 4 screws holding the log set in place (**Fig. 3-4**) then carefully remove the log set. Set the log set aside (**Fig. 3-5**) and discard the 4 screws.



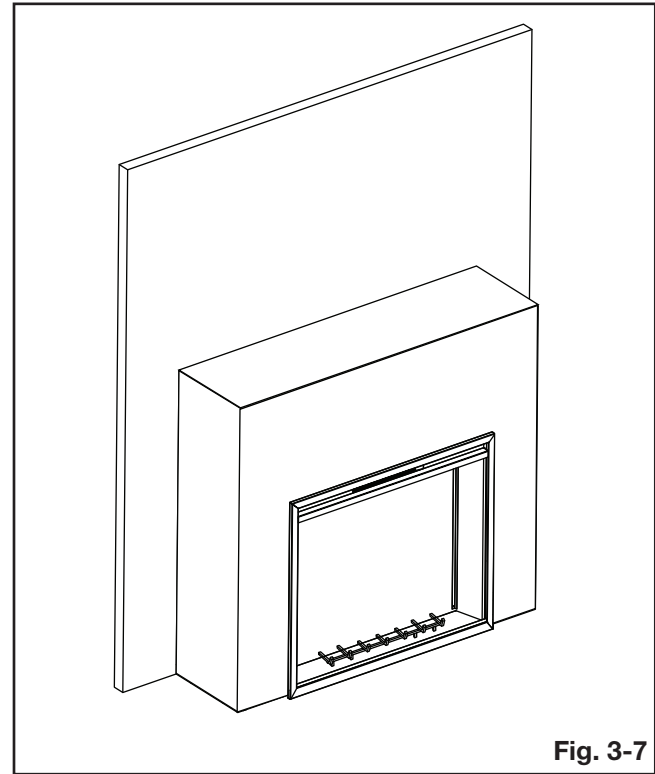
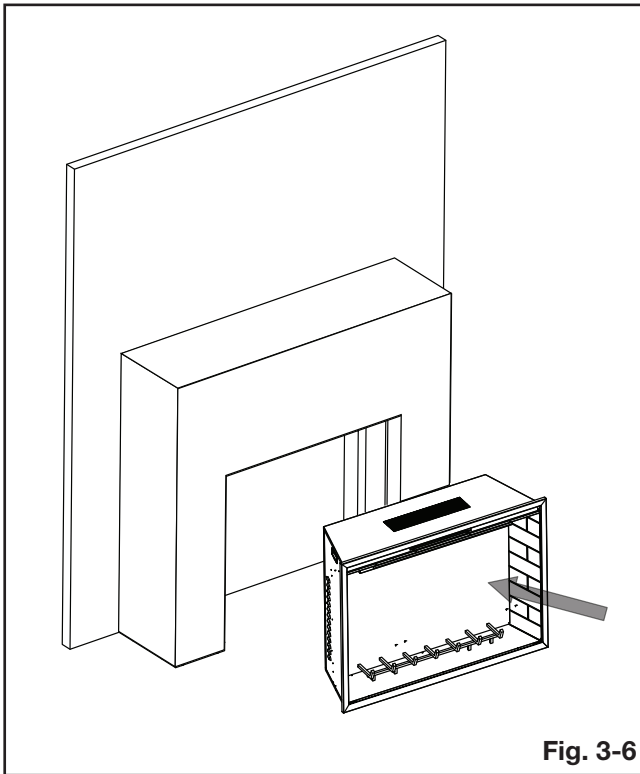
## installation and finishing

5. Complete hard-wiring (see "electrical information" section).

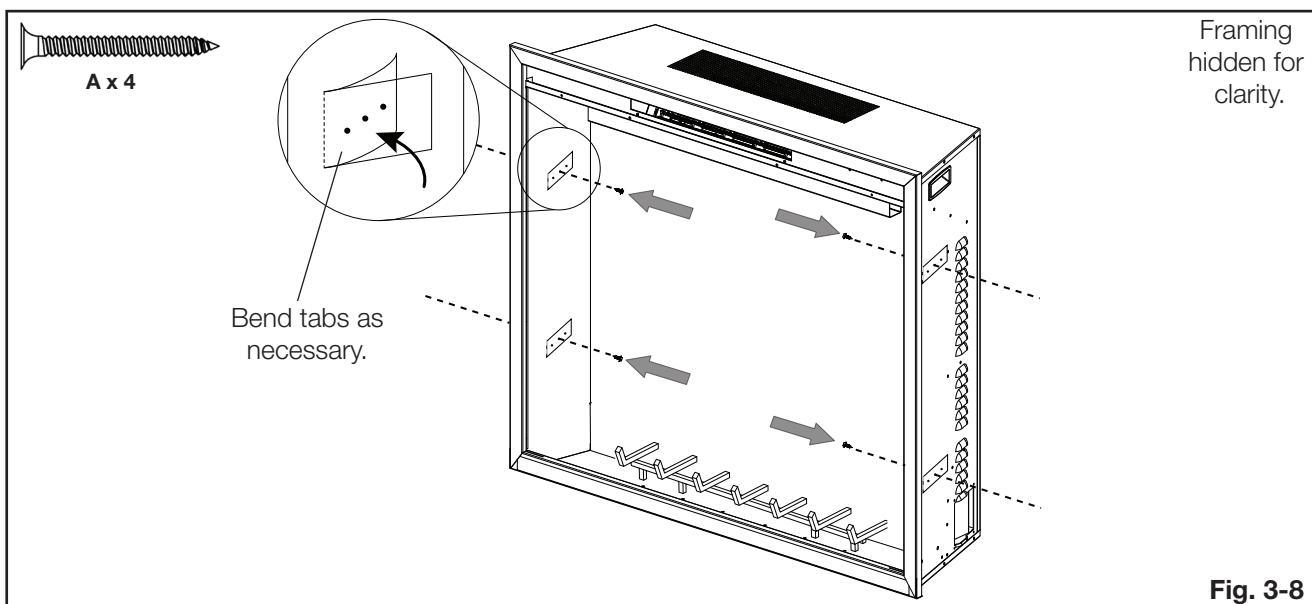
**note:**

It is recommended to complete finishing of the wall before fully securing the appliance (**Fig. 3-6**).

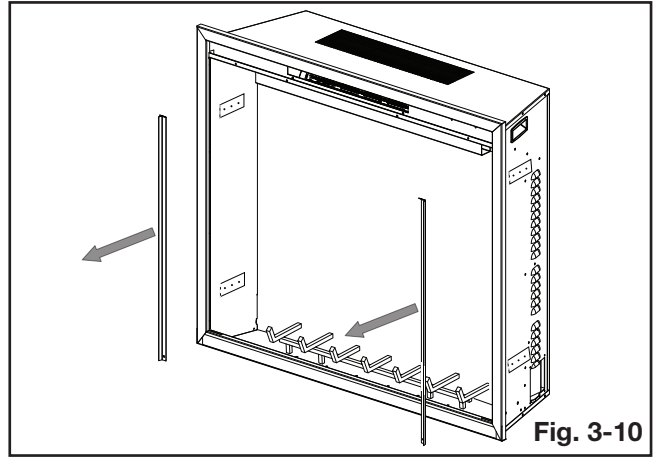
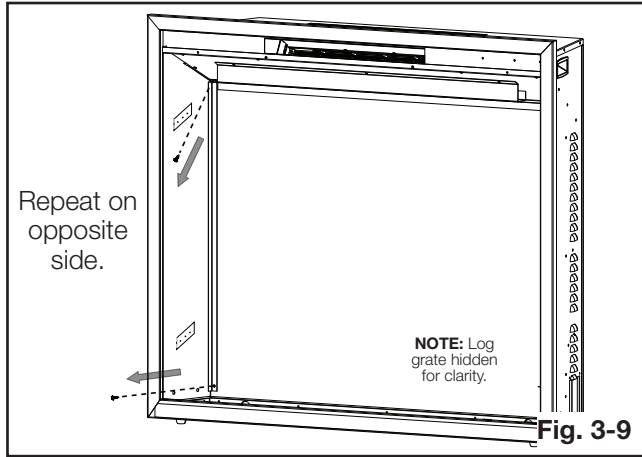
6. Carefully lift the appliance into the rough-in framing (**Fig. 3-7**).



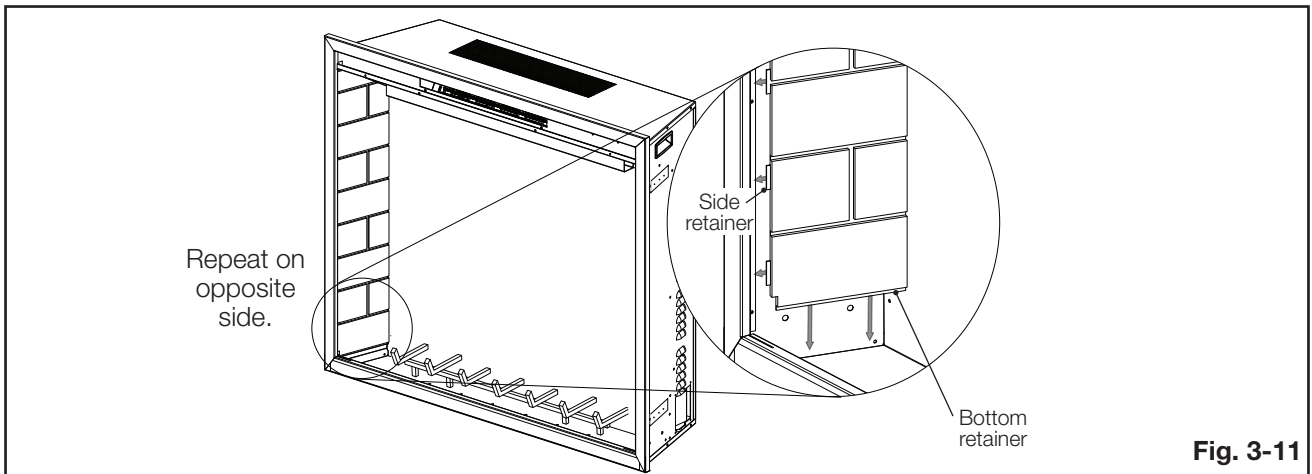
7. After the appliance is inserted into the rough-in frame to position, secure the appliance to the rough-in framing by installing 4 screws (supplied) through one of the three holes of the mounting tabs from the inside of the appliance (**Fig. 3-8**).



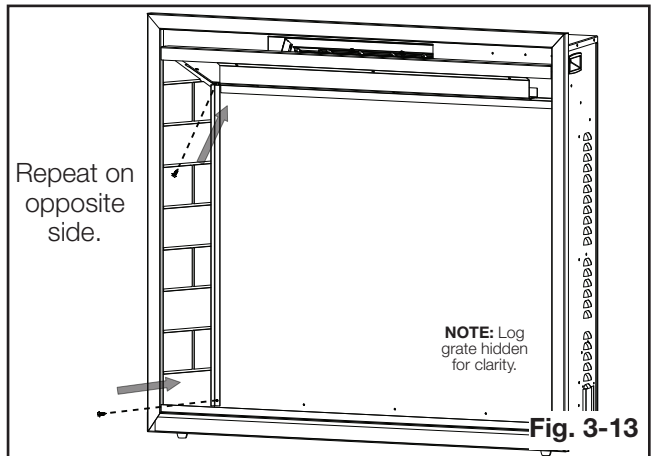
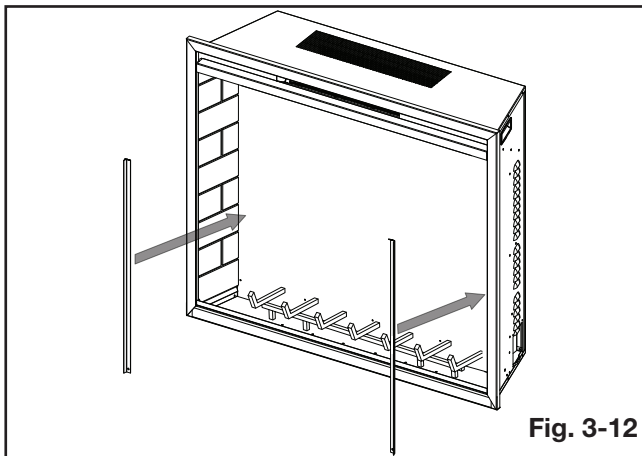
8. Remove the 4 screws holding the back retainers in place (**Fig. 3-9**). Set the screws and retainers aside (**Fig. 3-10**).



9. Place the brick panels into the bottom retainers and behind the side retainers (**Fig. 3-11**).

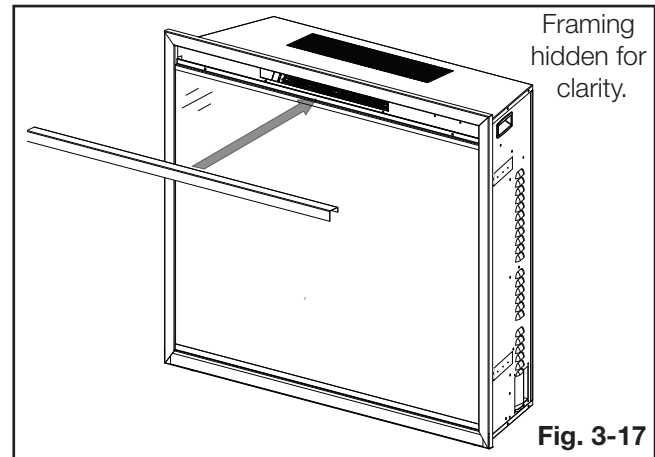
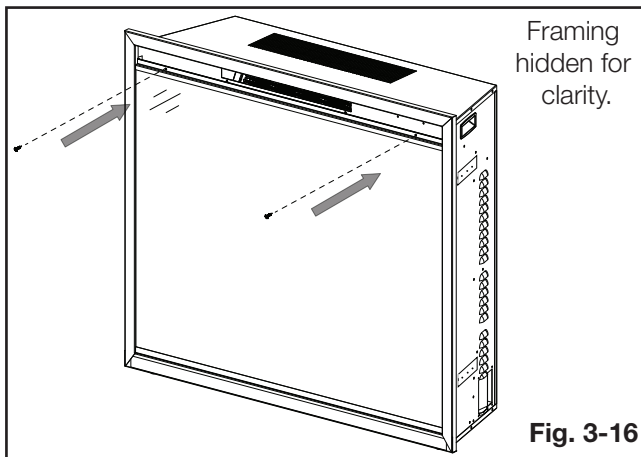
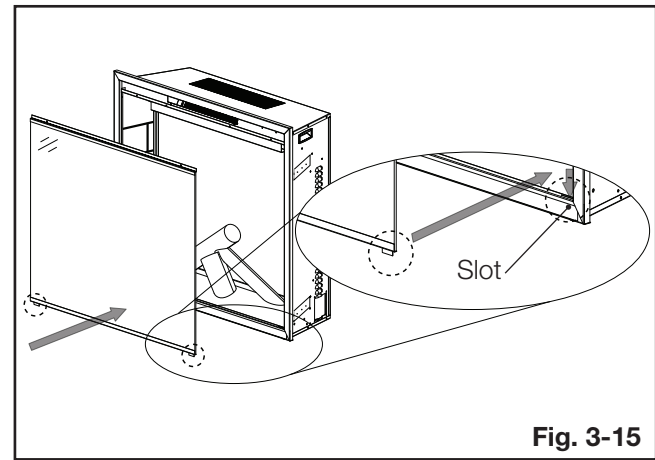
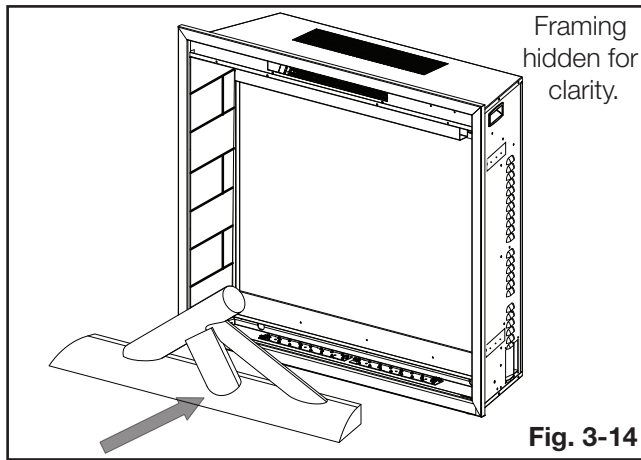


10. Re-install the 2 back retainers by re-installing the 4 screws previously removed in step 8 (**Fig. 3-12 and 3-13**).



# installation and finishing

11. **FOR NEFB36H-BS-1:** Re-install the log set without reinstalling the 4 screws removed in step 4 (**Fig. 3-14**).  
**FOR NEFB42H-BS-1:** Install the log set (see "log installation" section for details).
12. Re-install the glass door (**Fig. 3-15 and 3-16**).
13. Re-install the front decorative cover held in place by 2 magnets (**Fig. 3-17**).



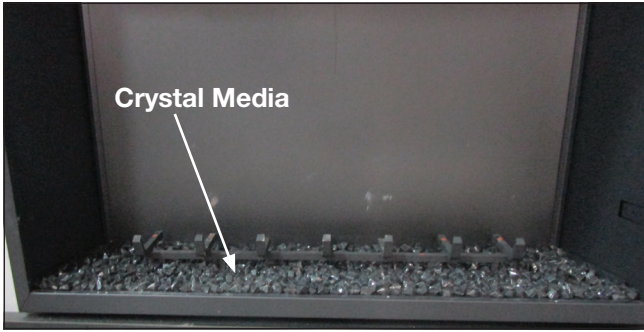
## 3.5 log installation (for NEFB42H-BS-1 only)

### ! WARNING

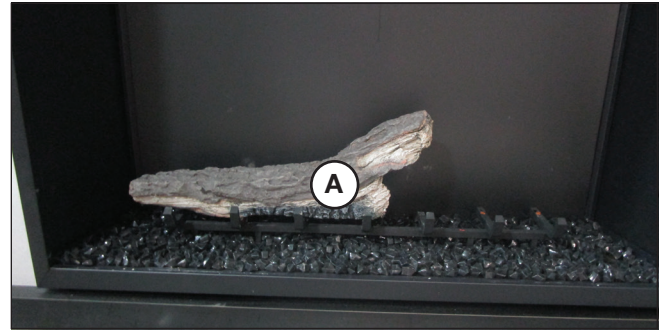
- Power supply service must be completed prior to finishing to avoid reconstruction.
- Heat vents and air openings cannot be covered in any circumstances.



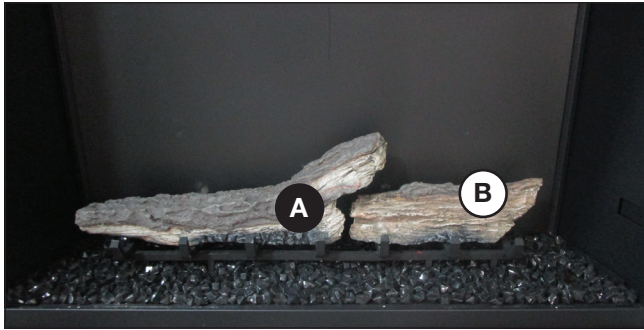
**COMPLETED LOG SET. CAREFULLY READ THE NEXT PAGES FOR INSTALLATION DETAILS.**



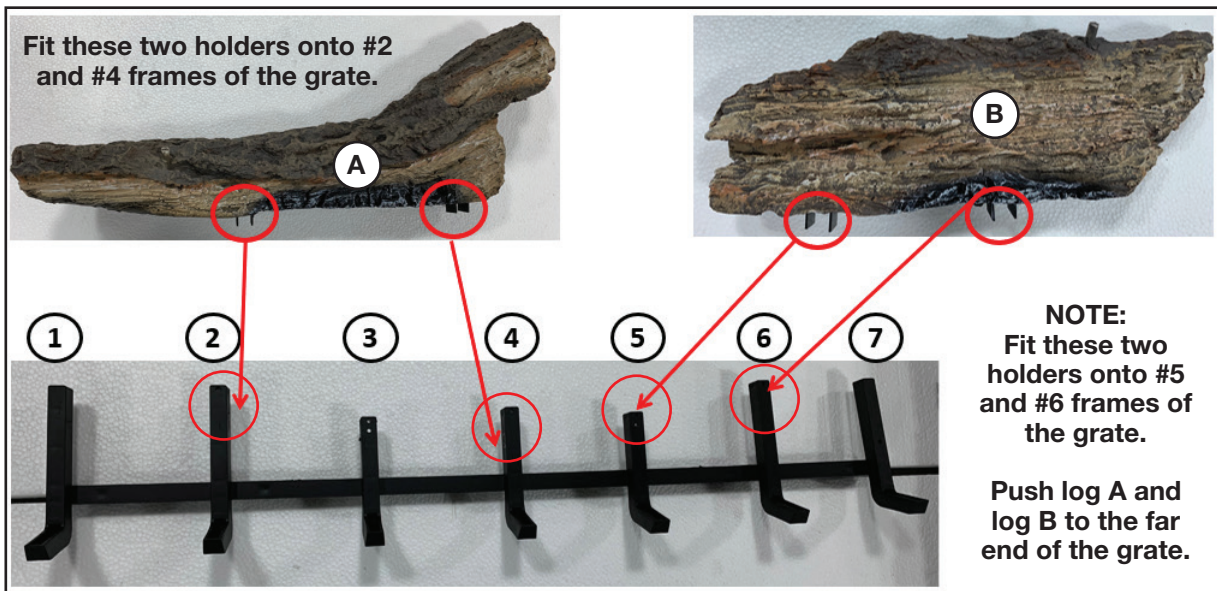
1. Install crystal media by applying an even layer of crystals from side to side.



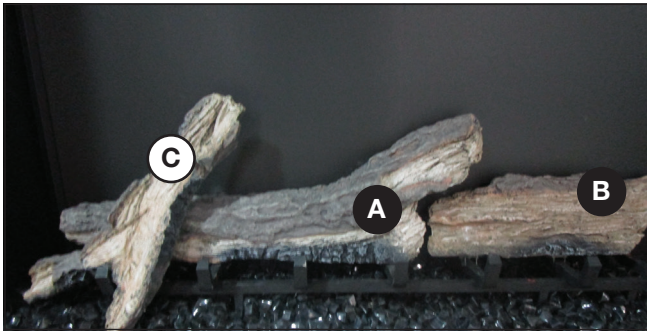
2. Install log A (see below for details).



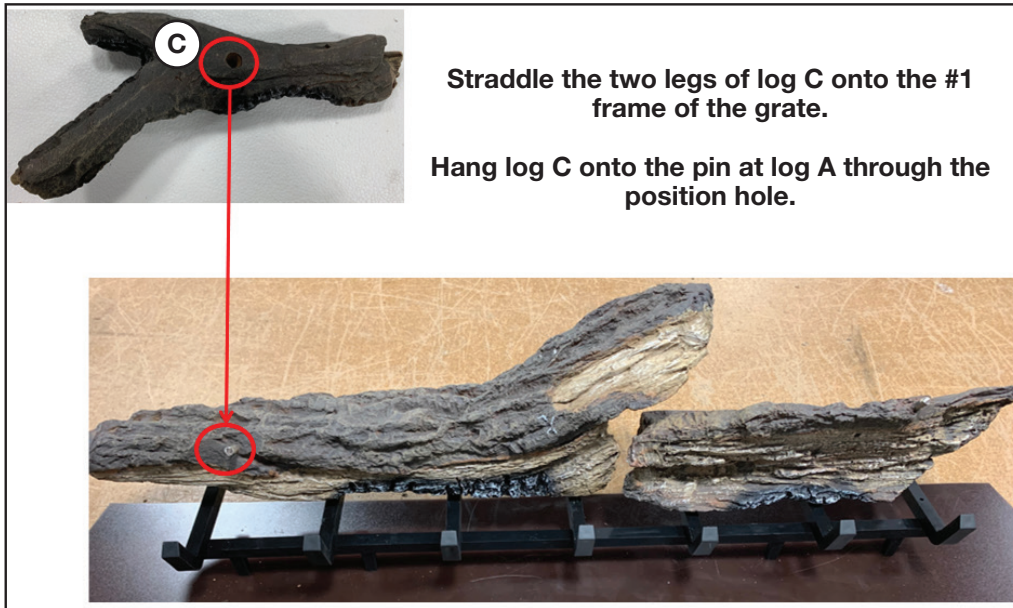
3. Install log B to the right of log A (see below for details).



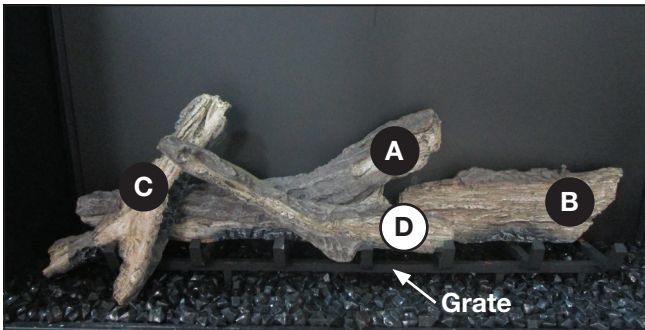
LOG A & B: DETAILED INSTALLATION VIEW



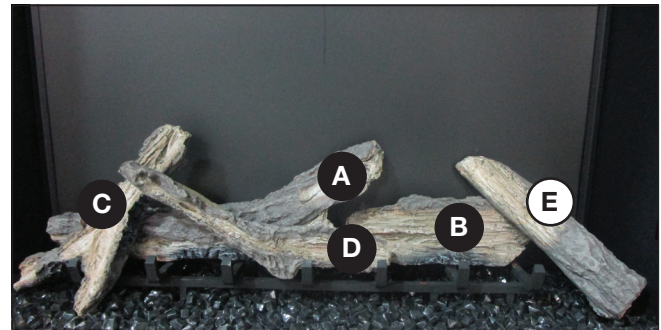
4. Install log C, resting it along the top left end of log A (see below for details).



**LOG C: DETAILED INSTALLATION VIEW**

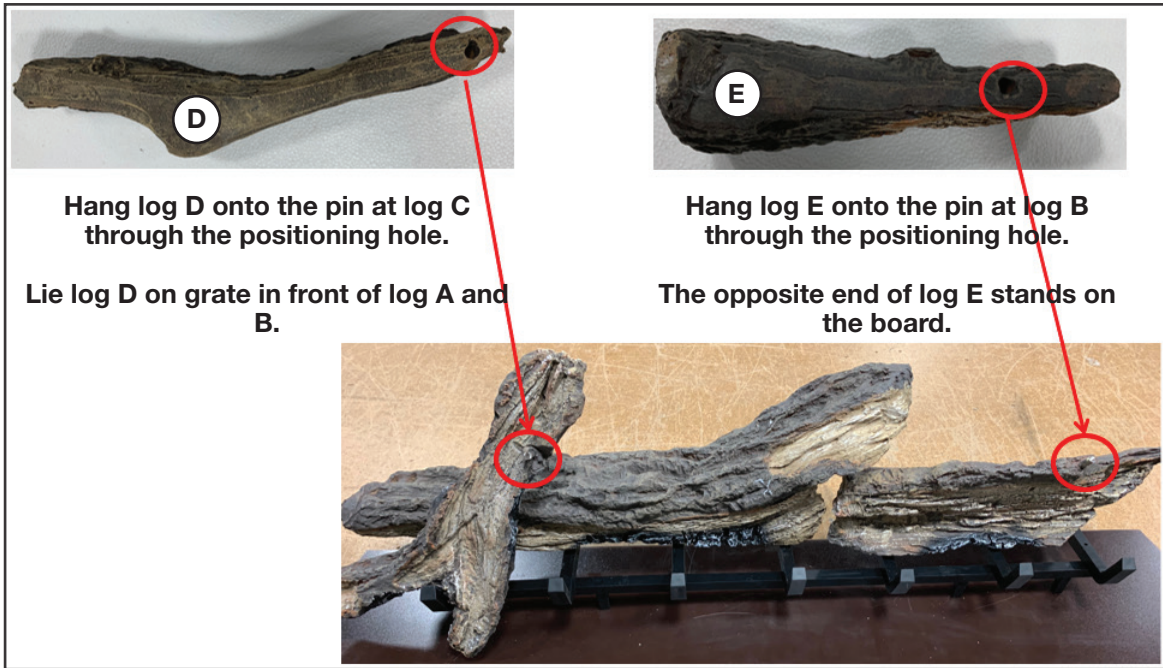


5. Install log D, resting it along the centre of the front grate (see next page for details).



6. Install log E, resting it on the top right end of log B (see next page for details).

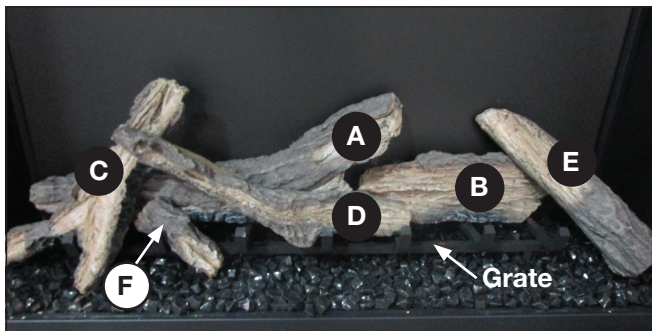




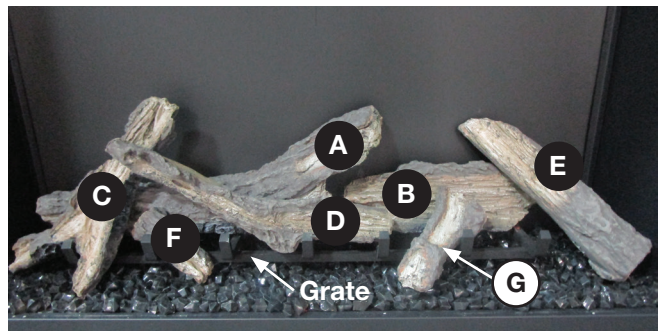
Hang log D onto the pin at log C through the positioning hole.  
Lie log D on grate in front of log A and B.

Hang log E onto the pin at log B through the positioning hole.  
The opposite end of log E stands on the board.

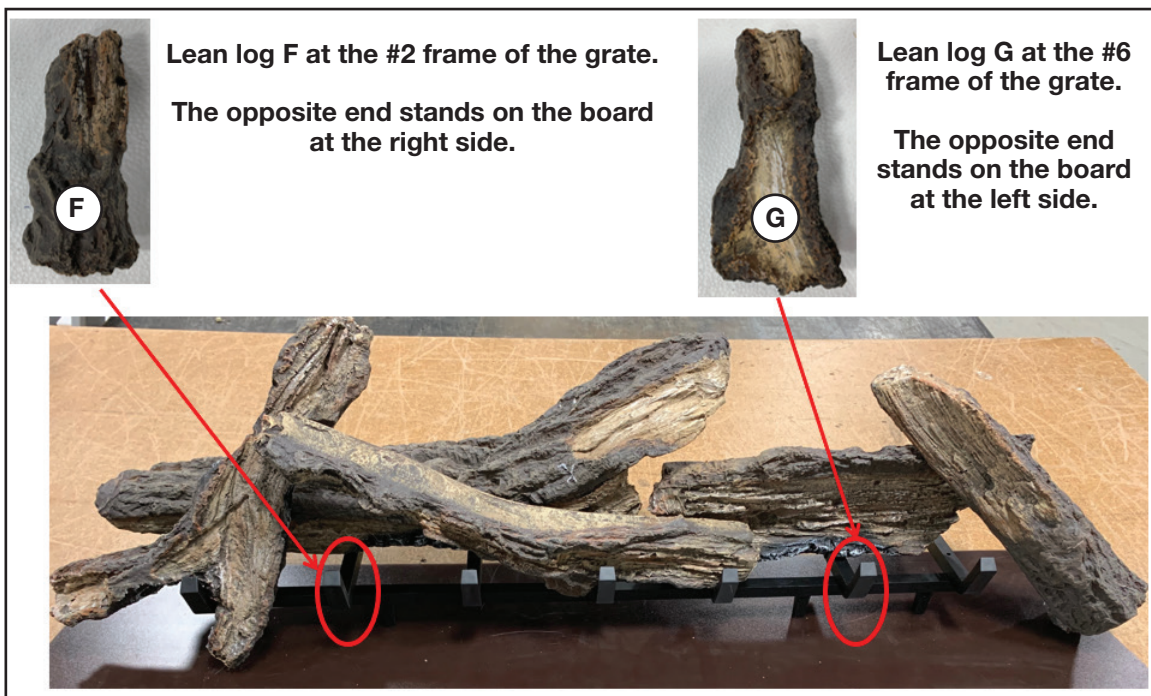
**LOG D & E: DETAILED INSTALLATION VIEW**



7. Install log F, resting it along the left end of the grate (see below for details).



8. Install log G, resting it along the right end of the grate (see below for details).



Lean log F at the #2 frame of the grate.  
The opposite end stands on the board at the right side.

Lean log G at the #6 frame of the grate.  
The opposite end stands on the board at the left side.

**LOG F & G: DETAILED INSTALLATION VIEW**

## 4.0 electrical information

### 4.1 120V cord plug installation

The factory default setting is 120 volt cord plug installation configuration. Simply plug the appliance to a grounded 120V, 15 amp outlet box.

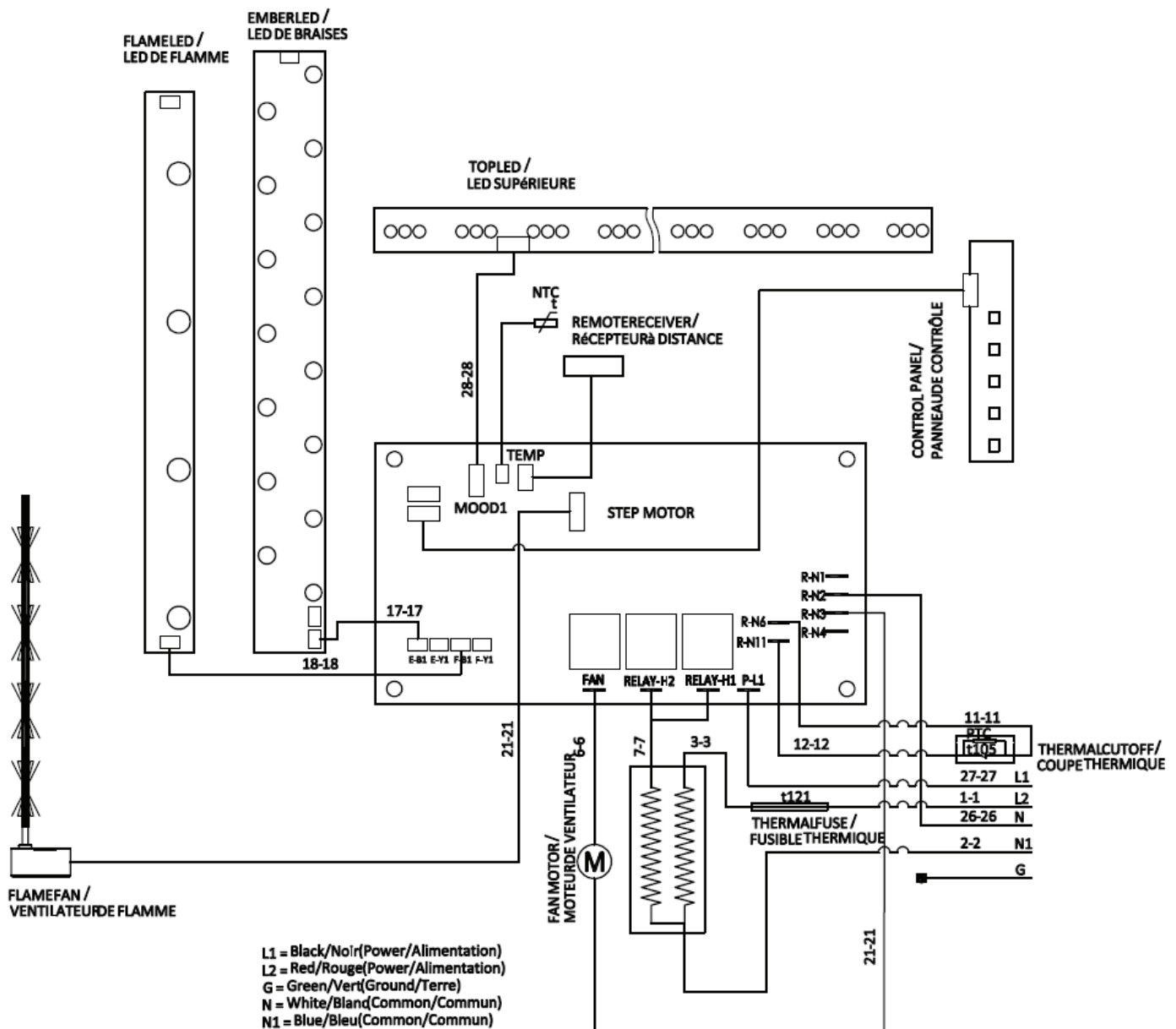
#### note:

This appliance must be connected to a dedicated 15 amp circuit. The use of an extension cord is NOT permitted.

### 4.2 wiring diagram

## ! WARNING

- Turn off the appliance completely and let cool before servicing. Only a qualified service person should service and repair this electric appliance.



### 4.3 hard-wiring installation

## **! WARNING**

- Turn off the appliance completely and let cool before servicing. Only a qualified service person should service and repair this electric appliance.

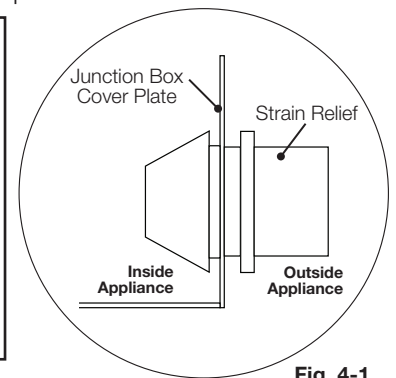
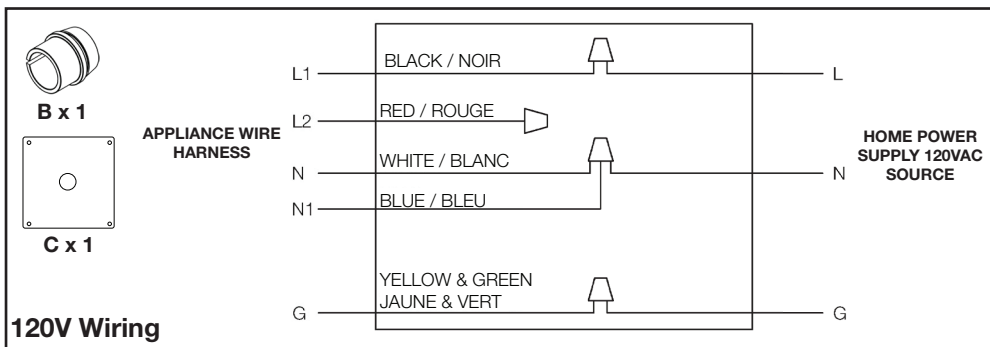
### **HARD-WIRING CONNECTION**

If it is necessary to hard-wire this appliance, a qualified electrician must remove the cord connection, and wire the appliance directly to the household wiring. The wire and power supply breaker must be rated for 120V, minimum 15 amps.

This appliance must be electrically wired and grounded in accordance with local codes or, in the absence of local codes, with the latest edition of the National Electrical Code ANSI/NFPA 70 in the United States or the Canadian Electrical Code CSA C22.1 in Canada.

#### 4.3.1 120V hard-wiring installation

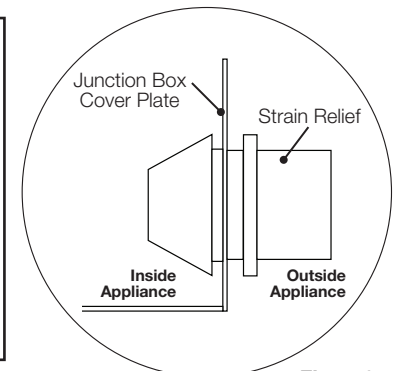
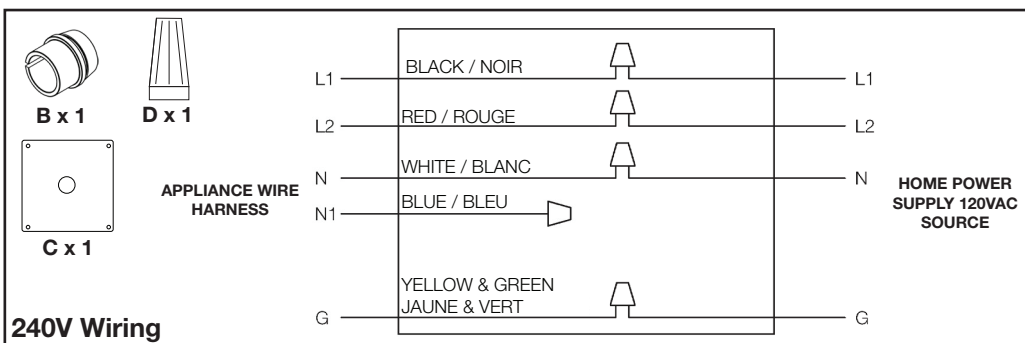
1. Remove the 4 screws securing the cord and cover plate to the side of the firebox.
2. Unscrew the wire nuts securing the power supply cord.
3. Install the new strain relief (supplied) (**Fig. 4-1**) into the new cover plate (supplied) and feed the 14/2 conductor wire through the strain relief.
4. Connect the ground/bond wires together.
5. Connect L1 to L1 of the appliance.
6. Connect the supply N wire to the two N wires in the junction box. Do not connect the L2 wire.
7. With wires secured, carefully feed the wires into the firebox and re-secure the cover plate.



**Fig. 4-1**

#### 4.3.2 240V hard-wiring installation

1. Remove the 4 screws securing the cord and cover plate to the side of the firebox.
2. Unscrew the wire nuts securing the power supply cord and the L2 wire.
3. Install the new strain relief (supplied) (**Fig. 4-2**) into the new cover plate (supplied) and feed the 14/3 conductor wire through the strain relief.
4. Connect the ground/bond wires together.
5. Connect L1 to L1 of the appliance, connect the supply N wire to the single white N wire in the firebox. Connect the L2 wire to the L2 wire of the appliance.
6. Screw the wire nuts onto the blue N wire. Do not connect supply wires to this wire.
7. With wires secured, carefully feed the wires into the firebox and re-secure the cover plate.



**Fig. 4-2**

## 5.0 operating instructions






### WARNING

- Ensure the house circuit breakers for the circuit supply are turned on. When initially connecting the appliance to a power source, the appliance will make a beeping sound to indicate standby mode.









Once the appliance has been plugged into a grounded electrical outlet or hard-wired to a dedicated 120V or 240V power supply, it is ready to operate.

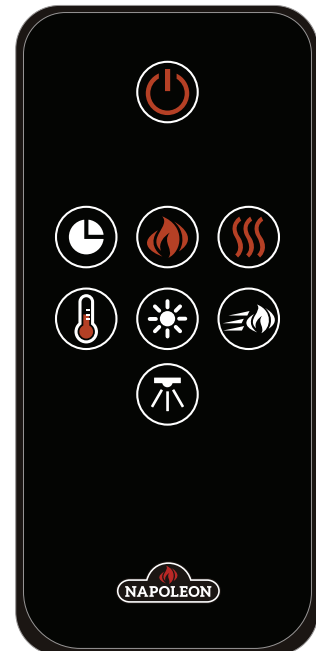
### 5.1 operating control panel



<b>Power</b>		Turns the appliance on / off.																						
<b>Temperature Control</b>		<p>Controls the appliance temperature.</p> <p><b>11 Settings:</b></p> <table border="1"> <tbody> <tr> <td>°C</td> <td>18</td> <td>19</td> <td>20</td> <td>21</td> <td>22</td> <td>23</td> <td>24</td> <td>25</td> <td>26</td> <td>27</td> </tr> <tr> <td>°F</td> <td>64</td> <td>66</td> <td>68</td> <td>70</td> <td>72</td> <td>74</td> <td>76</td> <td>78</td> <td>80</td> <td>82</td> </tr> </tbody> </table> <p><b>NOTE:</b> When setting is °C or °F, the temperature control is OFF. Holding the button for 5s will switch the temperature from °C to °F and vice versa.</p>	°C	18	19	20	21	22	23	24	25	26	27	°F	64	66	68	70	72	74	76	78	80	82
°C	18	19	20	21	22	23	24	25	26	27														
°F	64	66	68	70	72	74	76	78	80	82														
<b>Heater</b>		<p>Turns the heater and blower on / off.</p> <p><b>3 Settings:</b>            H0 - Heater and blower off            bL - Blower on            H1 - Heater on</p> <p><b>NOTE:</b> Heater function can be disabled / enabled by holding the button for 5s. When the heater function is disabled, "LO" will be displayed.</p>																						
<b>Top Light</b>		<p>Controls the top light colour.</p> <p><b>8 Settings:</b>            d1 - Yellow, red, and blue            d2 - Red and blue            d3 - Yellow and blue            d4 - Yellow and red            d5 - Blue            d6 - Red            d7 - Yellow            d0 - Off</p>																						
<b>Flame</b>		<p>Controls the flame brightness.</p> <p><b>5 Settings:</b>            F0 - Flame off            F1 - Small flame            F2 - Medium flame            F3 - Bright flame            F4 - Brightest flame</p>																						

## 5.2 operating remote control

<p><b>Power</b></p>		<p>Turns the appliance on / off.</p>																						
<p><b>Timer</b></p>		<p>Turns the timer on /off.  <b>10 Settings:</b> -- (no setting), 30 min., 1h, 2h, 3h, 4h, 5h, 6h, 7h, 8h</p>																						
<p><b>Temperature Control</b></p>		<p>Controls the appliance temperature.  <b>11 Settings:</b></p> <table border="1" data-bbox="509 512 1019 590"> <tr> <td>°C</td> <td>18</td> <td>19</td> <td>20</td> <td>21</td> <td>22</td> <td>23</td> <td>24</td> <td>25</td> <td>26</td> <td>27</td> </tr> <tr> <td>°F</td> <td>64</td> <td>66</td> <td>68</td> <td>70</td> <td>72</td> <td>74</td> <td>76</td> <td>78</td> <td>80</td> <td>82</td> </tr> </table> <p><b>NOTE:</b> When setting is °C or °F, the temperature control is OFF. Holding the button for 5s will switch the temperature from °C to °F and vice versa.</p>	°C	18	19	20	21	22	23	24	25	26	27	°F	64	66	68	70	72	74	76	78	80	82
°C	18	19	20	21	22	23	24	25	26	27														
°F	64	66	68	70	72	74	76	78	80	82														
<p><b>Flame</b></p>		<p>Controls the flame brightness.  <b>5 Settings:</b>          F0 - Flame off          F1 - Small flame          F2 - Medium flame          F3 - Bright flame          F4 - Brightest flame</p>																						
<p><b>Top Light</b></p>		<p>Controls the top light colour.  <b>8 Settings:</b>          d1 - Yellow, red, and blue          d2 - Red and blue          d3 - Yellow and blue          d4 - Yellow and red          d5 - Blue          d6 - Red          d7 - Yellow          d0 - Off</p>																						
<p><b>Brightness</b></p>		<p>Controls the ember bed brightness.  <b>6 Settings:</b>          b0 - No brightness          b1 - Low          b2 - Medium          b3 - Bright          b4 - Brightest          b5 - Pulsing effect (fade in and out)</p>																						
<p><b>Heater</b></p>		<p>Turns the heater and blower on / off.  <b>3 Settings:</b>          H0 - Heater and blower off          bL - Blower on          H1 - Heater on  <b>NOTE:</b> Heater function can be disabled / enabled by holding the button for 5s. When the heater function is disabled, "LO" will be displayed.</p>																						
<p><b>Flame Speed</b></p>		<p>Controls flame speed.  <b>5 Settings:</b>          S-3, S-4, S-5, S-1, S-2</p>																						



**note:**

When operating the remote control, it must be directed towards the front centre of the appliance.

# operating instructions

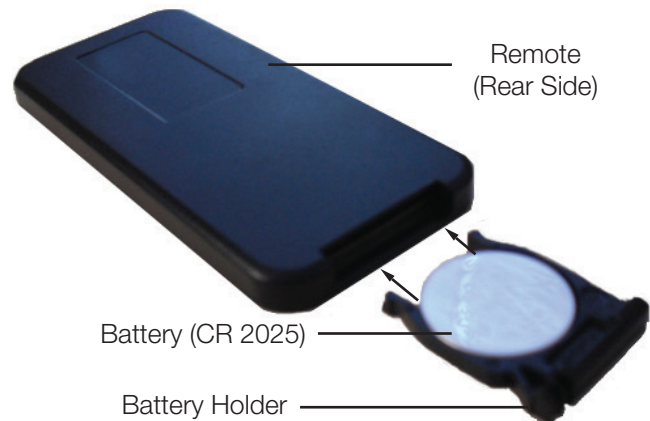
## 5.3 remote battery installation

### ! WARNING

- This remote control requires button batteries that are hazardous to young children.
- **WARNING! KEEP BATTERIES OUT OF REACH OF CHILDREN.**
- Swallowing may lead to serious injury or death in as little as 2 hours due to chemical burns and potential perforation of the oesophagus.
- If you suspect your child has swallowed or inserted a button battery, immediately seek urgent medical assistance.
- Examine devices and make sure the battery compartment is correctly secured (i.e. that the screw or other mechanical fastener is tightened). Do not use if compartment is not secure.
- Dispose of used button batteries immediately and safely. Flat batteries can still be dangerous.
- Tell others about the risks associated with button batteries and how to keep their children safe.



- To replace the existing battery, remove the battery holder.
- To remove the battery holder, turn remote onto front side and press the left side lever towards the center while pulling the battery holder out using the slot provided.
- Replace existing battery, type CR 2025, with a new battery and reinstall the battery holder into the remote by sliding it into position.
- Battery holder is secure into the remote control when a clicking noise is heard.



Batteries must be disposed of according to the local laws and regulations. Some batteries may be recycled, and may be accepted for disposal at your local recycling center. Check with your municipality for recycling instructions.

## 6.0 maintenance

### ! WARNING

- Always turn the heater off and unplug the power cord from the outlet before cleaning, performing maintenance, or moving this appliance. Failure to do so could result in electric shock, fire, or personal injury.
- Never immerse in water or spray with water. Doing so could result in electric shock, fire, or personal injury.

#### Metal:

- Buff using a soft cloth, slightly dampened with a citrus oil-based product.
- Do not use brass polish or household cleaners as these products will damage the metal trim.

#### Glass:

- Use a good quality cleaner sprayed onto a cloth or towel. Dry thoroughly with a paper towel or lint-free cloth.
- Never use abrasive cleaners, liquid sprays, or any cleaner that could scratch the surface.

#### Vents:

- Use a vacuum or duster to remove dust and dirt from the heater and vent areas.

#### Plastic:

- Wipe gently with a slightly damp cloth and a mild solution of dish soap and warm water.
- Never use abrasive cleaners, liquid sprays, or any cleaner that could scratch the surface.

**! WARNING**

- Failure to position the parts in accordance with this manual or failure to use only parts specifically approved with this appliance may result in property damage or personal injury.

Contact your dealer for questions concerning prices and policies on replacement parts. Normally, all parts can be ordered through your Authorized dealer / distributor.

**For warranty replacement parts, a photocopy of the original invoice will be required to honour the claim.**

When ordering replacement parts always give the following information:

- Model & Serial Number of appliance
- Installation date of appliance
- Part number
- Description of part
- Finish

**Parts, part numbers, and availability are subject to change without notice.**

**Parts identified as stocked will be delivered within 2 to 5 business days for most delivery destinations.**

**Parts not identified as stocked will be delivered within a 2 to 4 week period, for most cases.**

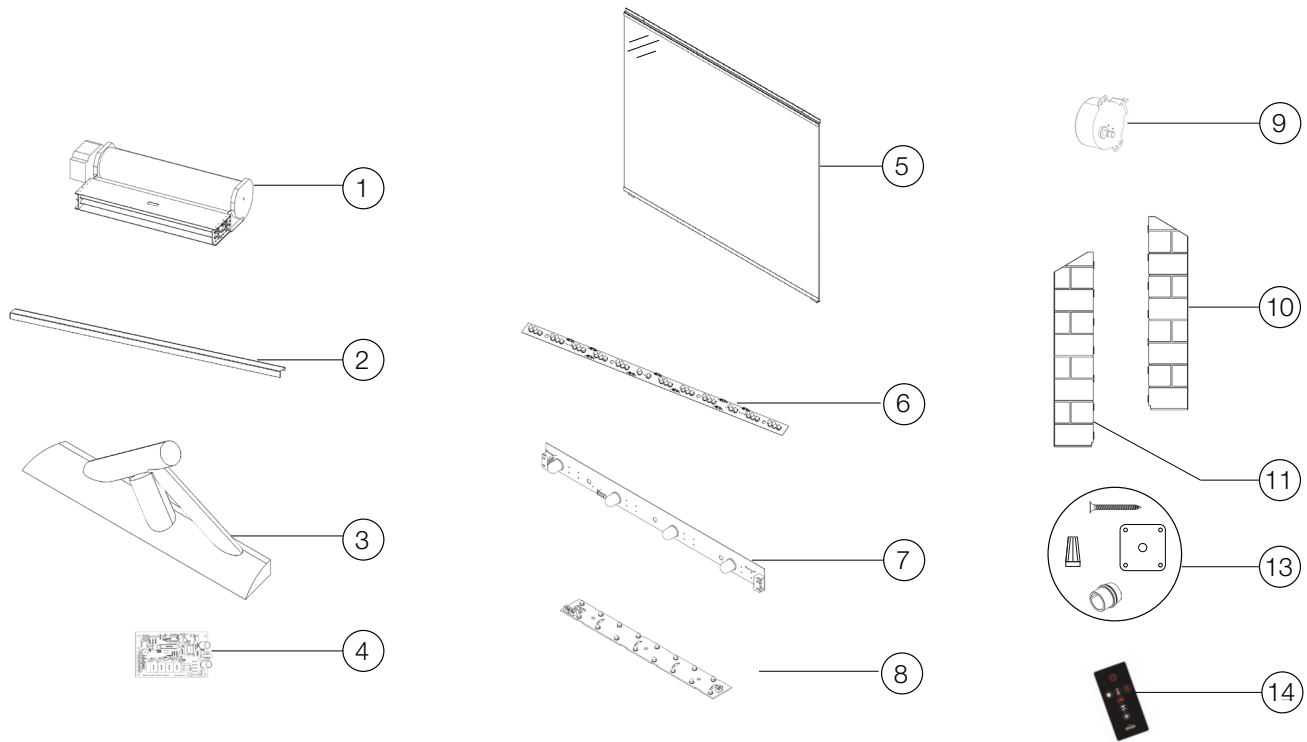
**Parts identified as 'SO' are special order and can take up to 90 days for delivery.**

For after-sales service, please call 1-866-820-8686.

**note:**

Care must be taken when removing and disposing of any broken glass or damaged components. Be sure to vacuum up any broken glass from inside the appliance before operation.

## 7.1 NEFB36H-BS-1 overview



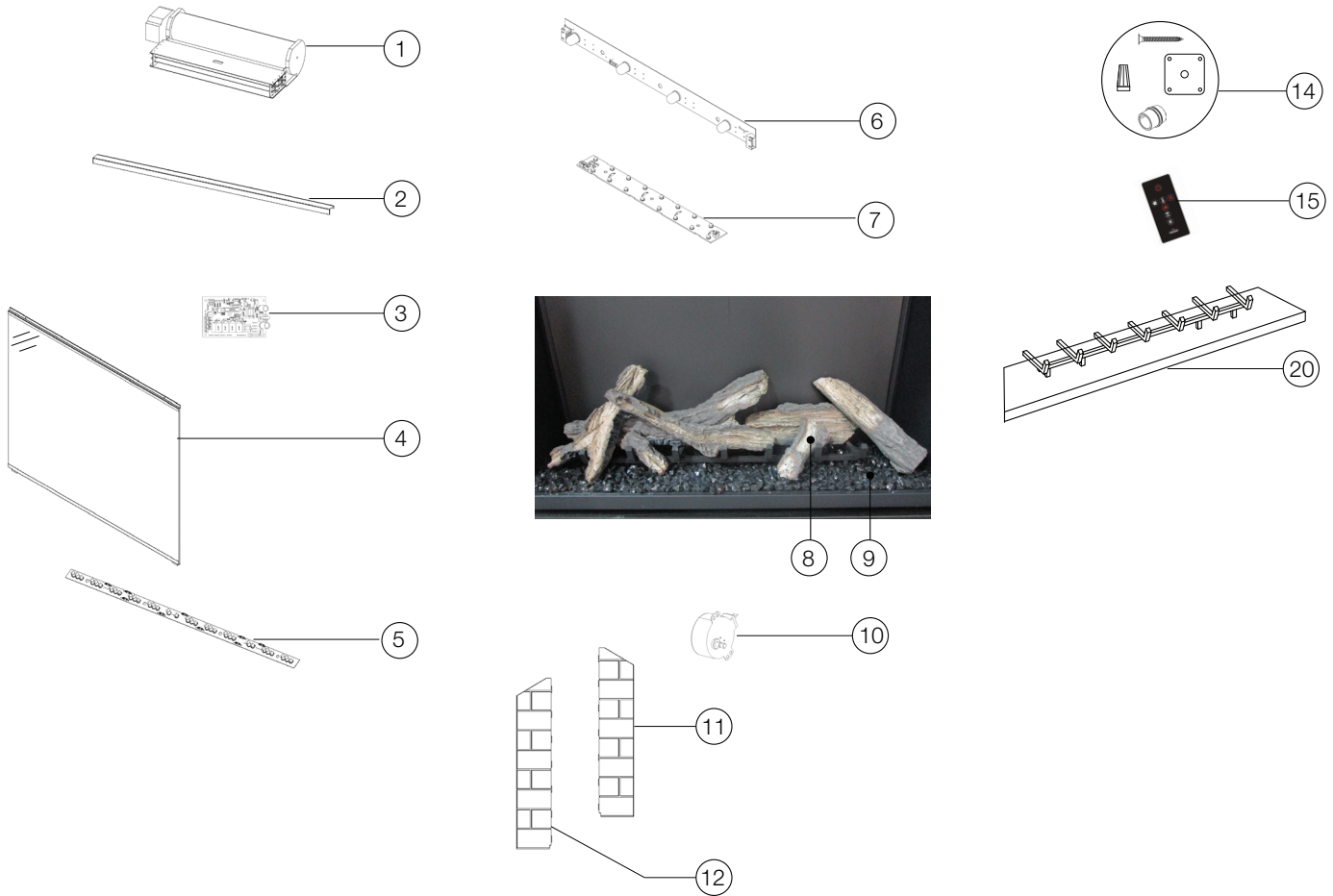
**ITEMS MAY NOT APPEAR EXACTLY AS ILLUSTRATED.**

Ref.	Part Number	Description	In Stock	Ref.	Part Number	Description	In Stock
1	W010-6159	Assembly, heater and blower	Yes	10	W475-1678-SER	Panel, left side brick	Yes
2	W080-1937-SER	Decorative cover	Yes	11	W475-1679-SER	Panel, right side brick	Yes
3	W135-0820-SER	Log set	Yes	12*	W010-6160	Reflector spindle assembly	Yes
4	W190-0243	Main PCB board	Yes	13	W175-0708-SER	Hardware kit	Yes
5	W300-0297-SER	Front glass	Yes	14	W190-0244	Remote control	Yes
6	W405-0078-SER	Top LED light	Yes	15*	W190-0242	Control panel board	Yes
7	W405-0079-SER	Flame LED light	Yes	16*	W190-0153-SER	Control panel buttons	Yes
8	W405-0080-SER	Ember bed LED light	Yes	17*	W190-0154-SER	Remote receiver	Yes
9	W435-0130	Motor, rotisserie	Yes	18*	W690-0027-SER	Thermostat	Yes
				19*	W497-1652	Plastic Panel	Yes

\* Items not illustrated.



**7.2 NEFB42H-BS-1 overview**

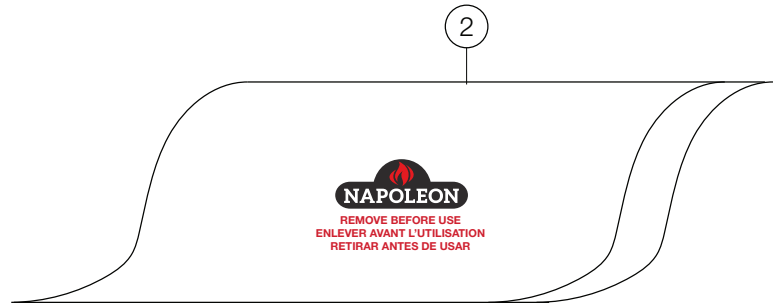
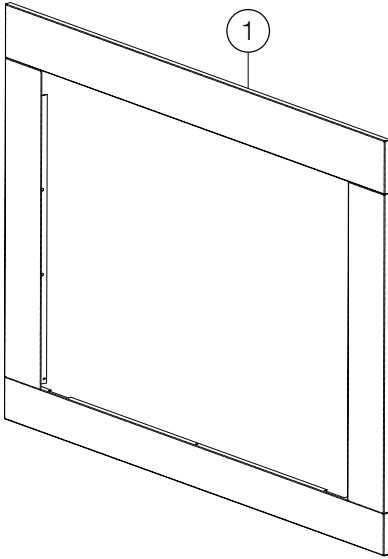


**ITEMS MAY NOT APPEAR EXACTLY AS ILLUSTRATED.**

Ref.	Part Number	Description	In Stock
1	W010-6159	Assembly, heater and blower	Yes
2	W080-2073	Decorative cover	Yes
3	W190-0243	Main PCB board	Yes
4	W300-0379	Front glass	Yes
5	W405-0078-SER	Top LED light	Yes
6	W405-0103	Flame LED light	Yes
7	W405-0080-SER	Ember bed LED light	Yes
8	GL-715	Log set	
9	G497-0008	Crystal media	Yes
10	W435-0130	Rotisserie motor	Yes

\* Items not illustrated.

Ref.	Part Number	Description	In Stock
11	W475-6307	Panel, left side brick	Yes
12	W475-6308	Panel, right side brick	Yes
13 *	W010-6164	Reflector spindle assembly	Yes
14	W175-0708-SER	Hardware kit	Yes
15	W190-0244	Remote control	Yes
16 *	W190-0242	Control panel board	Yes
17 *	W190-0153-SER	Control panel buttons	Yes
18 *	W190-0154-SER	Remote receiver	Yes
19 *	W690-0027-SER	Thermostat	Yes
20	W010-6092	Media bed with grate	Yes
21*	W497-1653	Plastic Panel	Yes



ITEMS MAY NOT APPEAR EXACTLY AS ILLUSTRATED.

Ref.	Part Number	Description	In Stock
1	NEFB36H-BS-TRIM	Kit, 4-piece trim kit (NEFB36H-BS-1)	Yes
1	NEFB42H-BS-TRIM	Kit, 4-piece trim (NEFB42H-BS-1)	Yes
2	NEFAK-PC36	Protective cover (NEFB36H-BS-1)	Yes
2	NEFAK-PC42	Protective cover (NEFB42H-BS-1)	Yes

## **WARNING**

- Turn off the appliance completely and let cool before servicing. Only a qualified service person should service and repair this electric appliance.

symptom	problem	solution
Appliance will not come on when power button/switch is put into the "on" position.	Appliance is not plugged into an electrical outlet.	Check plug, and plug in the appliance if necessary.
	Hard wire connections are not correct (if applicable).	See "hard-wiring installation" section.
	Appliance has overheated and safety thermal switch has tripped.	Unplug power or turn off the circuit breaker, allow appliance to cool for 15 minutes, then plug in the appliance or turn the breaker on.
	Main PCB board issue.	Inspect the circuit board and replace, if necessary.
Appliance turns off and will not turn on.	House circuit breaker has tripped.	Reset house circuit breaker.
	Appliance's fuse has blown.	Replace the fuse.
	Appliance has overheated and safety thermal switch has tripped.	Unplug power or turn off the circuit breaker, allow appliance to cool for 15 minutes to reset the thermal switch, then plug in the appliance or turn the breaker on.
Appliance has returned to default settings.	Power failure.	Re-program appliance to original settings (not applicable with all appliances).
Remote control does not work.	Low/dead batteries.	Replace batteries in remote control.
	Remote receiver malfunction.	Ensure remote receiver is not blocked. Replace control panel.
No warm air coming out of the appliance.	Heater setting not selected.	See "operation" section.
	Heater has been locked out.	See "operation" section.
	Room temperature is higher than appliance setting (if set to room temperature).	Reset temperature setting.
	Appliance has overheated and safety thermal switch has tripped.	Unplug power or turn off the circuit breaker. Allow for appliance to cool for 15 minutes.
	Hard wire connections are not correct (if applicable).	See "hard-wiring installation" section.
	Heater issue.	Inspect the blower and heater and replace, if necessary.
Heater shuts off automatically.	Room is too warm.	The heater has a built-in thermostat so it will shut off automatically once the pre-set temperature is reached. It will also turn on automatically if the room temperature drops below the pre-set temperature.
Dim or no flame.	Flame brightness not selected.	See "operation" section.
	Flame LEDs issue.	Inspect the LED and replace, if necessary.
	Main PCB board issue.	Inspect the main PCB board and replace, if necessary.
Flame does not move.	Motor is stalled/malfunctioning.	Cycle on/off. If problem persists, consult dealer.

<b>symptom</b>	<b>problem</b>	<b>solution</b>
Ember bed is not glowing or dimming.	Brightness not selected.	See “operation” section.
	Ember LED issue.	Inspect the ember bed LEDs and replace, if necessary.
	Main PCB board issue.	Inspect the main PCB board and replace, if necessary.
LED flashing “OH”.	Appliance has overheated and safety thermal switch has tripped.	Unplug power or turn off the circuit breaker. Allow appliance to cool for 15 minutes, then plug in the appliance or turn the breaker on. If problem persists, consult your dealer.

**Napoleon** electric appliances are manufactured under the strict Standard of the world recognized ISO 9001 : 2015 Quality Management System.

**Napoleon** products are designed with superior components and materials and assembled by trained craftsmen who take great pride in their work. Once assembled, the complete appliance is thoroughly inspected by a qualified and authorized installer, service agency, or supplier before packing to ensure that you, the customer, receive the quality product that you expect from **Napoleon**.

### Napoleon Electric Appliance Premium Warranty

Electrical components and wearable parts are covered and **Napoleon** will provide replacement parts free of charge during the first 2 years of premium warranty. This covers: fan/heaters, motors, switches, nylon bearing components, remote controls, and LED lights.\*

Light bulbs and fuses are **NOT** covered by the warranty.

In the first year only, any labour related to warranty repair is covered.

\* Construction of models vary. Warranty applies only to components included with your specific appliance.

### Conditions and Limitations

**Napoleon** warrants its products against manufacturing defects to the original purchaser only. Registering your warranty is not necessary. Simply provide your proof of purchase along with the model and serial number to make a warranty claim. Provided that the purchase was made through an authorized **Napoleon** dealer, your appliance is subject to the following conditions and limitations:

Warranty coverage begins on the date of original installation.

This factory warranty is non-transferable and may not be extended whatsoever by any of our representatives.

Installation must be done in accordance with the installation instructions included with the product and all local and national building and fire codes.

This premium warranty does not cover damages caused by misuse, lack of maintenance, accident, alterations, abuse, or neglect and parts installed from other manufacturers will nullify this warranty.

This premium warranty further does not cover any scratches, dents, corrosion, or discolouring caused by excessive heat, abrasive and chemical cleaners, nor chipping on porcelain enamel parts, mechanical breakage of PHAZER™ logs.

In the first 2 years only, this warranty extends to the repair or replacement of warranted parts which are defective in material or workmanship, provided that the product has been operated in accordance with the operation instructions and under normal conditions.

After the first year, **Napoleon** will not be responsible for installation, labour, or any other expenses related to the reinstallation of a warranted part, and such expenses are not covered by this warranty. Notwithstanding any provisions contained in the Premium Warranty, **Napoleon** responsibility under this warranty is defined as above, and it shall not in any event extend to any incidental, consequential, or indirect damages.

This warranty defines the obligations and liability of **Napoleon** with respect to the **Napoleon** electric appliance and any other warranties expressed or implied with respect to this product; its components or accessories are excluded.

**Napoleon** neither assumes, nor authorizes any third party to assume, on its behalf, any other liabilities with respect to the sale of this product.

Any damages to appliance, brass trim or other component due to water, weather damage, long periods of dampness, condensation, damaging chemicals, or cleaners will not be the responsibility of **Napoleon**.

**Napoleon** reserves the right to have its representative inspect any product or part thereof prior to honouring any warranty claim.

All parts replaced under the Premium Warranty Policy are subject to a single claim.

All parts replaced under the warranty will be covered for a period of 90 days from the date of their installation.

The manufacturer may require that defective parts or products be returned or that digital pictures be provided to support the claim. Returned products are to be shipped prepaid to the manufacturer for investigation. If a product is found to be defective, the manufacturer will repair or replace such defect.

Before shipping your appliance or defective components, your dealer must obtain an authorization number. Any merchandise shipped without authorization will be refused and returned to sender.

Shipping costs are not covered under this warranty.

Additional service fees may apply if you are seeking warranty service from a dealer.

All specifications and designed are subject to change without prior notice due to on-going product improvements. **Napoleon** is a registered trademark of Wolf Steel Ltd.

# NAPOLEON CELEBRATING OVER 40 YEARS OF HOME COMFORT PRODUCTS



7200, Route Transcanadienne, Montréal, Québec H4T 1A3  
24 Napoleon Road, Barrie, Ontario, Canada L4M 0G8  
214 Bayview Drive, Barrie, Ontario, Canada L4N 4Y8  
103 Miller Drive, Crittenden, Kentucky, USA 41030  
De Riemsdijk 22, 4004 LC Tiel, The Netherlands

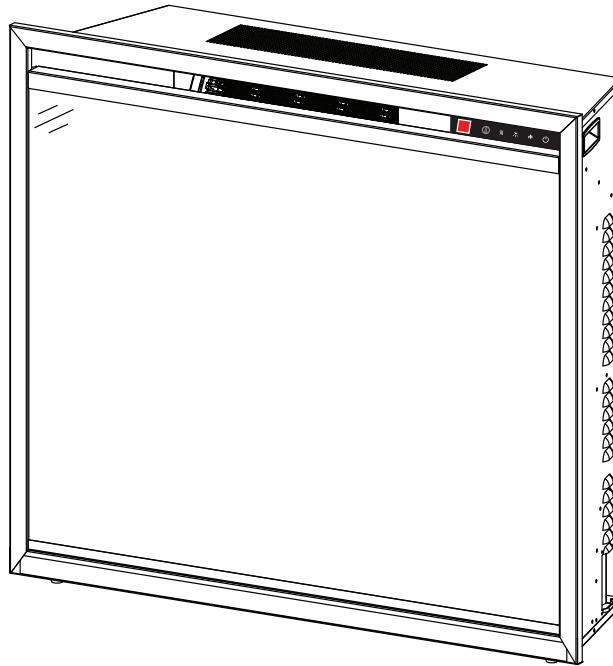
Phone: 1-866-820-8686  
[napoleon.com](http://napoleon.com)



# MANUEL D'INSTALLATION ET D'OPÉRATION

## Appareil Électrique Element<sup>MD</sup>

(NEFB42H-BS-1 Illustré)



### CONSIGNES DE SÉCURITÉ

#### **⚠ AVERTISSEMENT**

#### **RISQUE D'INCENDIE OU D'EXPLOSION**

Si ces instructions ne sont pas suivies à la lettre, un incendie pourrait s'ensuivre causant des dommages matériels, des blessures corporelles ou des pertes de vie.

- N'entreposez pas et n'utilisez pas d'essence ou autres liquides et vapeurs inflammables à proximité de cet appareil ou tout autre appareil.

#### **INSTALLATEUR:**

Laissez ce manuel avec l'appareil

#### **PROPRIÉTAIRE:**

Conservez ce manuel pour consultation ultérieure.



**Cet appareil dispose d'une télécommande qui nécessite des piles à bouton qui sont dangereuses pour les jeunes enfants.**

### **POUR L'UTILISATION INTÉRIEUR SEULEMENT**

**CERTIFIÉ SELON LES NORMES NATIONALES CANADIENNES ET AMÉRICAINES:  
CSA C22.2 NO. 46 / UL 2021**



Wolf Steel Ltd., 24 Napoleon Rd., Barrie, ON, L4M 0G8 Canada / 103 Miller Drive, Crittenden, Kentucky, USA, 41030  
Téléphone 1 (866) 826 8686 • www.napoleon.com • hearth@napoleon.com

## AVERTISSEMENT

- **Si équipé avec un chauffage, cet appareil peut être chaud lorsqu'il fonctionne et peut causer de graves brûlures en cas de contact.**
- Ne faites pas fonctionner l'appareil avant d'avoir lu et compris les instructions d'utilisation. L'incapacité de respecter les instructions pourrait causer un incendie ou des blessures corporelles.
- N'installez pas de composants endommagés ou incomplets, ni des composants de substitution.
- Ne brûlez pas de bois ou autres matériaux dans cet appareil.
- Tous les appareils électriques contiennent des composants internes qui deviennent chauds et qui produisent des étincelles. N'utilisez pas cet appareil dans des endroits où de l'essence, des peintures ou d'autres liquides inflammables sont présents.
- Les grillages de sécurités ou écrans enlevés pour faire l'entretien devront être remis en place avant d'utiliser l'appareil.
- Il est primordial de garder propres les compartiments de contrôle, les brûleurs, la soufflerie, les bouches d'air de l'appareil ainsi que le système d'évacuation. L'appareil et son système d'évacuation doivent être inspectés avant la première utilisation et au moins une fois l'an par un spécialiste en entretien. Un entretien plus fréquent pourrait être nécessaire en raison des peluches provenant des tapis, literie, etc. L'emplacement de l'appareil doit être gardé libre de tous matériaux combustibles, essence ou autres liquides et vapeurs inflammables.
- Cet appareil ne devra être modifié en aucun cas.
- N'utilisez pas cet appareil si une partie quelconque a été submergée. Contactez immédiatement un technicien de service qualifié pour inspecter l'appareil et pour remplacer toute pièce du système de contrôle qui aurait été submergée.
- Si équipé avec une porte vitrée, n'opérer pas l'appareil lorsque la porte vitrée est enlevée, fissurée ou brisée. Le remplacement de la vitre devra être effectué par un technicien de service certifié ou qualifié.
- Si équipé avec un porte vitrée, ne frappez pas et ne claquez pas la porte vitrée de l'appareil.
- Les matériaux d'emballage doivent être gardés hors de la portée des enfants et mis au rebut de façon sécuritaire. Comme tous les emballages de plastique, ceux-ci ne sont pas des jouets et doivent demeurer hors de la portée des enfants et des bébés.
- L'entretien ne doit être effectué que lorsque l'appareil est débranché du circuit électrique.
- Débranchez toujours l'appareil lorsqu'il n'est pas utilisé.
- N'utilisez pas l'appareil si le cordon d'alimentation ou la fiche sont endommagés, s'il ne fonctionne pas bien, ou s'il a été échappé ou endommagé d'une quelconque façon. Retournez l'appareil à un centre de service autorisé pour une inspection, des ajustements électriques ou mécaniques ou une réparation.
- N'utilisez pas cet appareil à l'extérieur.
- Lorsque vous installez cet appareil dans une pièce où l'eau est présente, l'installation doit se conformer aux codes reconnaissant le risque accru de décharge électrique et d'électrocution.

**note:**

Cet appareil NE PEUT PAS être installé dans une salle de bain.

- Ne passez pas le cordon d'alimentation sous un tapis. Ne recouvrez pas le cordon avec des carpettes, des tapis de couloir ou autres revêtements similaires. Évitez de placer le cordon dans un endroit passant ou à un endroit où il risque de causer des chutes.
- Branchez seulement dans une prise de courant adéquatement mise à la terre.
- N'insérez pas d'objets dans les ouvertures d'entrée d'air ou de sortie d'air puisque cela risque d'endommager l'appareil ou causer des chocs électriques ou un incendie.
- Il est normal que votre appareil électrique produise du bruit, surtout s'il est installé dans un endroit calme comme un chambre à coucher.



**! AVERTISSEMENT**

- Pour prévenir les risques d'incendie, ne bloquez pas les entrées d'air et les sorties d'air de quelque manière que ce soit. Ne placez pas cet appareil sur une surface molle telle qu'un tapis où les ouvertures pourraient se bloquer.
- Toujours brancher l'appareil directement dans une prise murale. N'utilisez pas de cordons d'alimentation ou une robinet d'alimentation relogeables (alimentation/multiprise).
- Cet appareil a été testé et homologué pour usage avec les accessoires optionnels listés dans ce manuel uniquement. L'utilisation d'accessoires optionnels qui n'ont pas été spécifiquement testés pour cet appareil électrique annulera la garantie de l'appareil et/ou présentera des risques pour la sécurité.

**Pour les appareil équipé avec chauffage:**

- Risque de brûlures. L'appareil doit être éteint et refroidi avant d'effectuer l'entretien. Pour débrancher l'appareil, mettez d'abord les boutons de contrôle à « OFF » puis retirez la fiche de la prise de courant.
- Les jeunes enfants doivent être supervisés attentivement lorsqu'ils sont dans la même pièce que l'appareil recommandés s'il y a dans la maison des individus à risque. Les jeunes enfants et autres personnes sont sujets aux brûlures accidentelles. Une barrière de protection est recommandée s'il y a dans la maison des individus à risque. Afin de restreindre l'accès à l'appareil, installez une barrière de protection ajustable pour garder les jeunes enfants ou autres personnes à risque hors de la pièce et loin des surfaces chaudes.
- Les vêtements et autres matériaux combustibles ne doivent pas être posés sur l'appareil ou à proximité.
- En raison des températures élevées, l'appareil devrait être placé loin des endroits passants et loin des meubles et des rideaux.
- Assurez-vous de disposer de mesures de sécurité adéquates pour empêcher les jeunes enfants de toucher aux surfaces chaudes.
- Même lorsque l'appareil est éteint, la porte et l'écran demeureront chauds pendant un bon moment.
- Consultez votre détaillant local de foyer pour connaître les grillages de sécurité et les écrans offerts pour protéger les enfants des surfaces chaudes. Ces grillages de sécurité et ces écrans doivent être fixés au plancher.
- Assurez-vous de respecter les dégagements aux matériaux combustibles lorsque vous installez un manteau ou des tablettes au-dessus de l'appareil. Les téléviseurs et autres composants électroniques soumis à des températures élevées peuvent fondre, se déformer, se décolorer et entraîner des défaillances prématurées de ces appareils.

**! AVERTISSEMENT:** Ce produit peut vous exposer à des substances chimiques incluant le plomb et les composés de plomb qui, selon l'État de Californie, causeraient le cancer, et des substances chimiques incluant le BBP et DEHP qui, selon d'État de Californie, causeraient des malformations congénitales ou autres dangers pour la reproduction. Pour de plus amples renseignements, visitez le [www.P65Warnings.ca.gov](http://www.P65Warnings.ca.gov).

# table de matières

FR

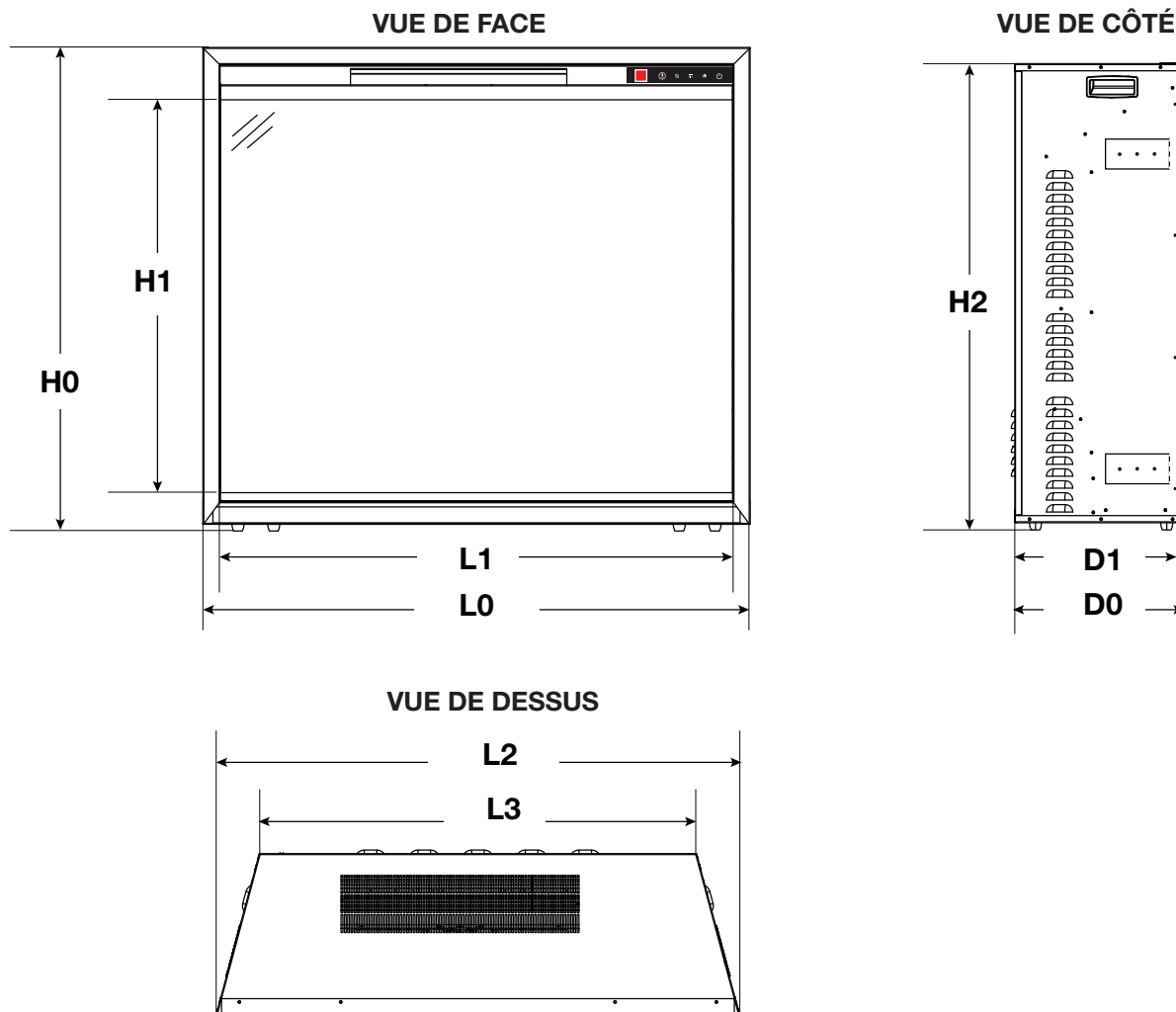
<b>1.0</b>	<b>informations générales</b>	<b>35</b>
1.1	dimensions	35
1.2	liste de pièces	35
1.3	homologations	36
1.4	instructions générales	36
1.5	déballage et vérification d'appareil	36
1.6	information à propos de la plaque d'homologation	37
1.7	emplacement d'étiquettes	37
<b>2.0</b>	<b>emplacement d'appareil</b>	<b>38</b>
2.1	mise à terre d'appareil	38
<b>3.0</b>	<b>installation et finitions</b>	<b>39</b>
3.1	dégagements minimaux aux combustibles	39
3.2	dégagements minimaux à la tablette	39
3.3	ossature approximatif	40
3.4	installation d'appareil et finitions	41
3.5	installation de l'ensemble de bûches (NEFB36H-BS-1 seulement)	44
<b>4.0</b>	<b>information électrique</b>	<b>48</b>
4.1	installation de prise de courant 120V	48
4.2	schéma de câblage	48
4.3	installation de branchement par câble	49
4.3.1	installation de branchement par câble 120V	49
4.3.2	installation de branchement par câble 240V	50
<b>5.0</b>	<b>instructions de fonctionnement</b>	<b>51</b>
5.1	fonctionnement de panneau de contrôle	51
5.2	fonctionnement de télécommande	52
5.3	installation de pile de télécommande	53
<b>6.0</b>	<b>entretien</b>	<b>53</b>
<b>7.0</b>	<b>pièces de rechange</b>	<b>54</b>
7.1	vue d'ensemble NEFB36H-BS-1	55
7.2	vue d'ensemble NEFB42H-BS-1	56
<b>8.0</b>	<b>accessoires</b>	<b>57</b>
<b>9.0</b>	<b>guide de dépannage</b>	<b>58</b>
<b>10.0</b>	<b>garantie</b>	<b>60</b>

## note:

L'information contenue dans ce manuel est jugée correcte au moment de l'impression. Wolf Steel Ltée. se réserve le droit de modifier ou de modifier toute information contenue dans ce manuel à tout moment sans préavis. Les modifications, autres que les éditoriaux, sont désignées par une ligne verticale dans la marge.

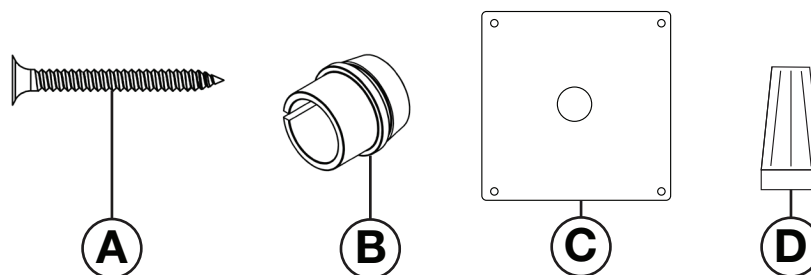
# 1.0 informations générales

## 1.1 dimensions



	L0	L1	L2	L3	H0	H1	H2	D0	D1
<b>NEFB36H-BS-1</b>	36 1/8" (918mm)	33 7/8" (860mm)	34 5/8" (879mm)	28 7/8" (733mm)	31 7/8" (810mm)	25 7/8" (657mm)	30 3/4" (781mm)	11 1/4" (286mm)	10 5/8" (270mm)
<b>NEFB42H-BS-1</b>	42 1/8" (1070mm)	39 7/8" (1012mm)	40 5/8" (1031mm)	33 1/2" (851mm)	31 7/8" (810mm)	25 7/8" (657mm)	30 3/4" (781mm)	14" (356mm)	13 3/8" (340mm)

## 1.2 liste de pièces



Réf.	Description	Quantité
A	Vis de Bois	4
B	Soulagement de Traction	1
C	Plaque de Recouvrement de la Boîte de Jonction	1
D	Connecteur de Fils	1

# informations générales

FR

## 1.3 homologations

Cet appareil a été testé selon les normes CSA pour les appareils électriques installés de façon permanentes aux États-Unis et au Canada. Si vous avez besoin d'assistance durant l'installation, veuillez contacter votre détaillant local.

### note:

Cet appareil doit être raccordé électriquement et mis à la terre selon les codes locaux ou, en l'absence de tels codes, avec la dernière édition du National Electrical Code ANSI/NFPA 70 aux États-Unis ou la Code Canadienne l'Électricité CSA C22.1 au Canada.

No. de Modèle	NEFB36H-BS-1	NEFB42H-BS-1
Description	Appareil Électrique 36"	Appareil Électrique 42"
Tension	120V / 240V	
Puissance	1500 / 3000W	
Ampères	15 AMP circuit mis à la terre <b>dédié</b>	
Largeur	36 1/8" (918mm)	42 1/8" (1070mm)
Hauteur	31 7/8" (810mm)	31 7/8" (810mm)
Profondeur	11 1/4" (286mm)	14" (356mm)
Poids Brut	66.1lbs (30.0kg)	87.9lbs (39.9kg)
Gross Weight	74.9lbs (34.0kg)	106.9lbs (48.5kg)

## 1.4 instructions générales

- Avant de brancher votre appareil dans une prise de courant, vérifiez si le disjoncteur de la maison pour ce circuit est allumé.
- Il est possible que l'appareil dégage une légère odeur inoffensive lors de la première utilisation. Cela est une condition normale causée par le chauffage initial des éléments de l'appareil. Elle ne se reproduira plus.
- Si votre appareil n'émet pas de chaleur lorsqu'il est sollicité, consultez la section « fonctionnement » de ce manuel pour de plus amples renseignements.
- Utilisez avec un limiteur de surtension certifié CSA ou UL.
- Ne faites pas passer le cordon d'alimentation directement sous l'appareil.

Cet appareil électrique répond aux normes de construction et de sécurité du H.U.D. pour des applications dans des maisons préfabriquées lorsque installé selon ces instructions.

Comme avec la plupart des appareils électroniques, votre nouveau appareil électrique a été conçu pour fonctionner à des températures comprises entre 5°C (41°F) et 35°C (95°F). Pendant les mois froids de l'hiver, la cheminée permet d'atteindre la température avant de l'allumer.

## 1.5 déballage et vérification d'appareil

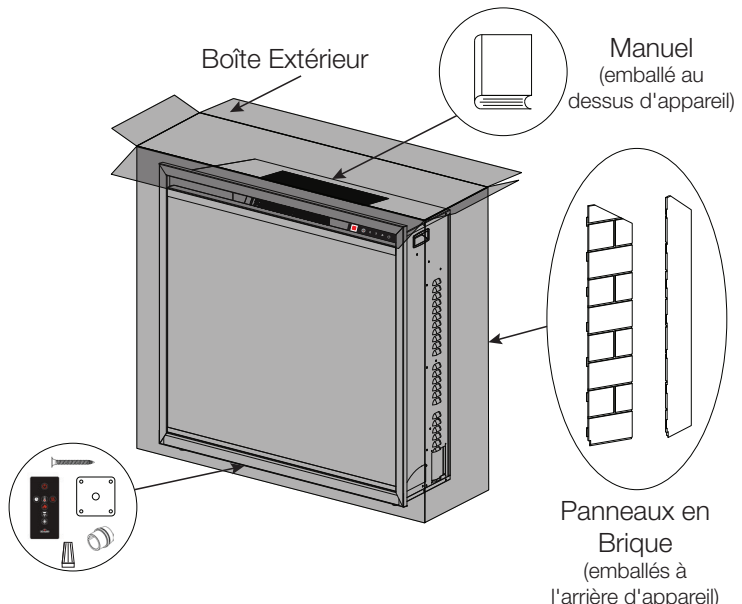
Retirez soigneusement l'appareil de la boîte et retirez les supports. Avant d'installer l'appareil, retirez tous les matériaux d'emballage et vérifiez que l'appareil fonctionne correctement en branchant le cordon d'alimentation dans une prise de terre minimale de 120V, 15 ampères, mise à la terre.

### note:

Cet appareil est branché en usine pour une prise d'alimentation de 120 volt. Si vous besoin une prise d'alimentation de 240 volt, voir la section « information électrique ».

L'emplacement des emballages peuvent différer. Certains emballages ont été masqués par souci de clarté.

Télécommande &  
Ensemble de Quincaillerie  
(emballé au bas  
de l'appareil)



## 1.6 information à propos de la plaque d'homologation

CERTIFIED UNDER CANADIAN AND AMERICAN NATIONAL STANDARD: CSA 22.2 NO. 46 AND UL 2021 /  
HOMOLOGUÉ SELON LES NORMES NATIONALES CANADIENNES ET AMÉRICAINES: CSA 22.2 NO. 46 UL 2021

ELECTRIC FIREPLACE. SUITABLE FOR  
BEDROOM AND BED-SITTING ROOM  
INSTALLATION. SUITABLE FOR MOBILE  
HOME INSTALLATION.

FOYER À ÉLECTRIQUE. HOMOLOGUÉ POUR  
INSTALLATION DANS UNE CHAMBRE À  
COUCHER, UNE SALLE DE BAIN ET UN STUDIO.  
APPROPRIÉ POUR INSTALLATION DANS UNE  
MAISON MOBILE.

**CSA**  
C US

**MASTER CONTRACT: 161746**      **CONTRAT-CADRE: 161746**

**MODEL/MOÛLE: NEFB36H-BS-1**

**VOLTAGE: 120/240 V**      **TENSION: 120/240 V**  
**FREQUENCY: 60Hz**      **FRÉQUENCE: 60Hz**  
**POWER: 1500W/3000W**      **PUISSANCE: 1500W/3000W**  
**DATE CODE:**      **CODE DE DATE:**

DESIGNED IN NORTH AMERICA  
BY WOLF STEEL LTD.  
MADE IN CHINA

DÉSIGNÉ AMÉRIQUE DU NORD  
PAR WOLF STEEL LTD.  
FABRIQUÉ EN CHINE

**WOLF STEEL LTD.**  
24 NAPOLEON ROAD,  
BARRIE, ON, L4M 0G8 CANADA

**SERIAL NUMBER/NO. DE SÉRIE: NEFB36H**      **W385-2719**

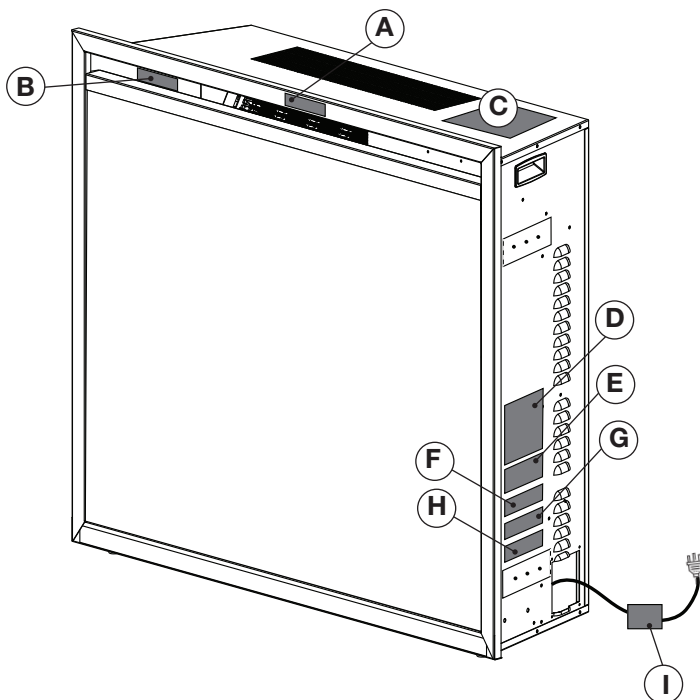
Pour l'emplacement de la plaque d'homologation, voir la section « emplacement d'étiquettes ».

Cette illustration est à titre d'illustration seulement. Consultez la plaque d'homologation pour obtenir l'information précis.

**note:**

La plaque d'homologation doit rester avec l'appareil à tout instant. Elle ne doit pas être enlevée.

## 1.7 emplacement d'étiquettes



Réf.	No. de Pièce	Label Description
A	W385-2210	« Ne Couvrir Pas »
B	W385-2722 / W385-2723	Modèle & No. de Sériat
C	W385-4591	Schéma de Câblage
D	W385-2719 / W385-2721	Plaque d'Homologation
E	W385-2167	« Avertissement »
F	W385-2163	« Avertissement »
G	W385-2371	Branchement par Câble 120V
H	W385-2372	Branchement par Câble 240V
I	W385-1943	« Avertissement »

## 2.0 emplacement d'appareil

FR

### **! AVERTISSEMENT**

- En raison des températures élevées, cet appareil électrique doit être situé hors de circulation. Conservez des matériaux combustibles tels que des meubles, des coussins, les litières, des papiers, des vêtements, et des rideaux au moins 36" (91,4cm) de l'avant de l'appareil.
- Ne placez jamais cet appareil électrique là où il peut tomber dans une baignoire ou au autre contenant d'eau.
- Portez des gants de sécurité et des lunettes de sécurité pour la protection pendant l'installation et la maintenance.
- Pour éviter tout contact avec une isolation affaiblie ou perdue, l'appareil électrique ne doit pas être installé contre un pare-vapeur ou un isolant exposé. Une surchauffe localisée pourrait se produire et un incendie pourrait en résulter.
- N'exposez pas l'appareil électrique aux éléments (c.à.d. la pluie, la neige, etc.).

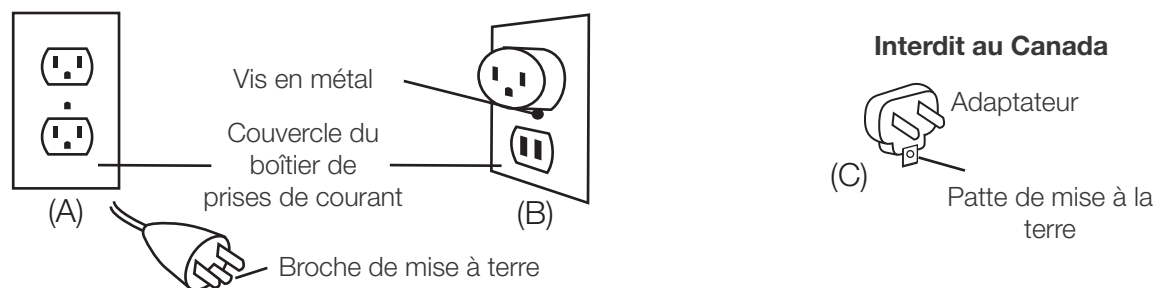
### 2.1 mise à terre d'appareil

Cet appareil doit être branché sur un circuit de 120 volts ou 240 volts. Son cordon d'alimentation est équipé d'une fiche comme illustré en (A) ci-contre. Un adaptateur, tel qu'illustré en (C), est disponible pour brancher des fiches à trois branches avec mise à la terre dans des prises à deux fentes, tel qu'illustré en (B).

La patte verte de mise à la terre de l'adaptateur doit être branchée dans une prise de courant mise à la terre de façon permanente telle qu'un boîtier de prises de courant mis à la terre. L'adaptateur ne doit pas être utilisé si une prise de courant mise à la terre trois fentes est disponible.

Pour débrancher l'appareil, mettez les boutons de contrôle à « OFF » puis retirez la fiche de la prise du courant.

#### Méthodes de mise à la terre



#### **note:**

Cet appareil doit être connecté à un circuit de 15 ampères dédié. L'utilisation d'un cordon d'extension N'EST PAS autorisée.

### ! AVERTISSEMENT

- Risque d'incendie! Le cordon d'alimentation ne doit pas être coincé contre une arrête vive. Fixez le cordon pour éviter les chutes ou les accrochages afin de réduire le risque d'incendie, de choc électrique ou de blessures corporelles. Ne passez pas le cordon d'alimentation sous un tapis. Ne recouvrez pas le cordon avec des carpettes, des tapis de couloir ou autres revêtements similaires. Évitez de placer le cordon dans un endroit passant ou à un endroit où il risque de causer des chutes.
- Risque d'incendie! Pour prévenir les risques d'incendie, ne bloquez pas les entrées d'air et les sorties d'air de quelque manière que ce soit. Ne placez pas cet appareil sur une surface molle où les ouvertures pourraient se bloquer.
- Risque d'incendie! Ne soufflez pas ou ne placez pas d'isolant contre l'appareil.
- Cet appareil électrique a été testé et homologué pour usage avec les accessoires optionnels listés dans ce manuel uniquement. L'utilisation d'accessoires optionnels qui n'ont pas été spécifiquement testés pour cet appareil électrique annulera la garantie de l'appareil et/ou présentera des risques pour la sécurité.
- Si ces instructions ne sont pas suivies à la lettre, un incendie ou une explosion pourraient s'ensuivre, causant des dommages matériels, des blessures corporelles ou des pertes de vie. N'entrez pas et n'utilisez pas d'essence ou autres vapeurs inflammables à proximité de cet appareil ou tout autre appareil.
- Étant donné la lourdeur de cet appareil, il est recommandé que deux personnes en fassent l'installation.
- Si votre appareil est équipé avec chauffage, assurez-vous que les ouvertures de la chauffage ne peut pas, dans aucune façon, être recouverts car il peut provoquer un incendie.
- N'exécutez pas le cordon d'alimentation horizontalement, directement en dessous de l'appareil.

Votre NEFB36H/42H-BS-1 est un appareil encastré. Sélectionnez un endroit approprié qui ne soit pas susceptible d'être humide et qu'il soit éloigné des rideaux, des meubles, et des zones à fort trafic.

**note:**

Suivez tous les codes électriques nationaux et locaux.

### 3.1 dégagements minimaux aux combustibles

Mesures sont prises depuis d'avant de verre.

Bas	0"	Dessus	2" à tablette
Côtés	0"	Dessus	2" à plafond
Arrière	0"		

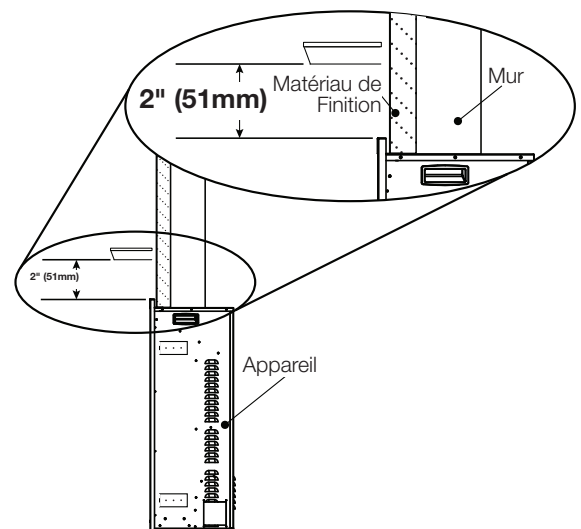
**note:**

L'interrupteur à l'alimentation est situé au côté droit supérieur de l'appareil. Assurez-vous de maintenir accès à l'interrupteur en tout temps.

### 3.2 dégagements minimaux à la tablette

### ! AVERTISSEMENT

- Lorsque vous utilisez de la peinture ou de la laque pour finir la tablette, la peinture ou la laque doit être résistante à la chaleur pour éviter la décoloration.



# installation et finitions

FR

## 3.3 ossature approximatif

### ! AVERTISSEMENT

- Choisissez un endroit non sujet à l'humidité et situé au moins de 36" (91,4cm) des articles combustibles, tels que les rideaux, meubles, literie, papier, etc.

**note:**

Il est recommandé de compléter la finition du mur avant de fixer complètement l'appareil.

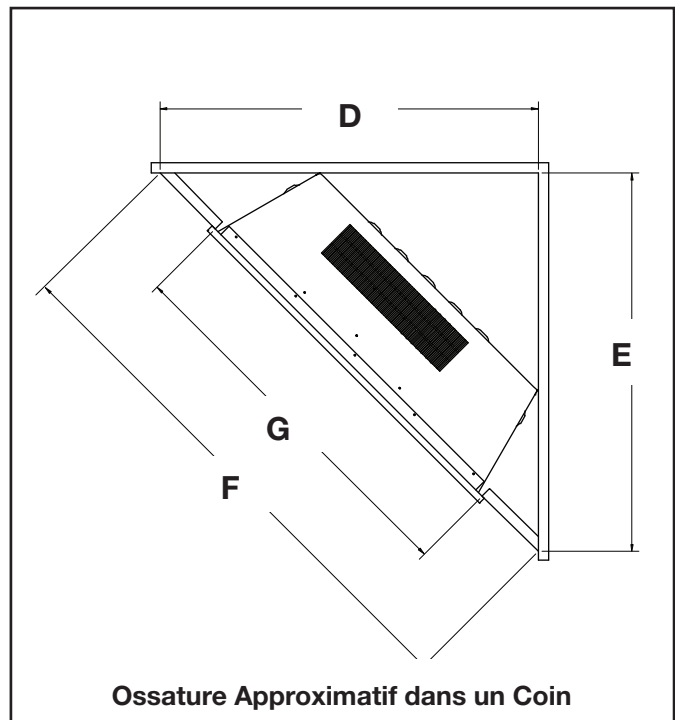
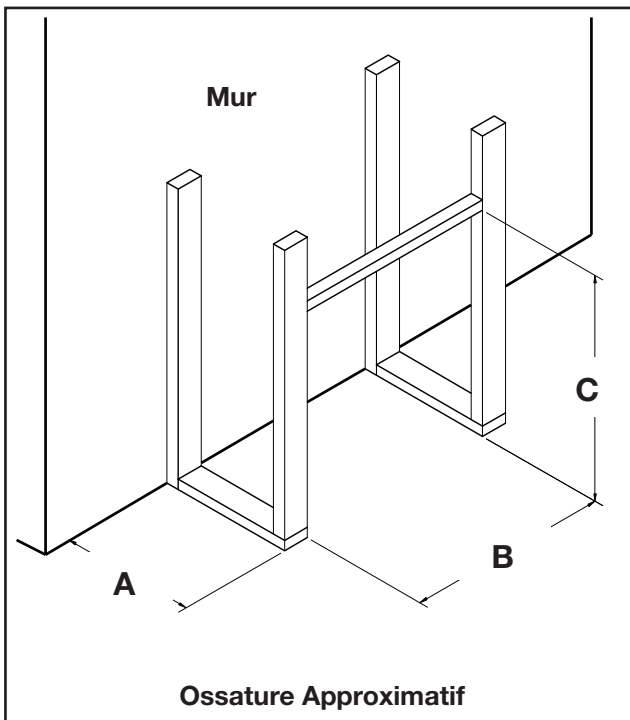
Une fois que l'ossature approximatif et les matériaux de finitions ont été préparés et l'alimentation a été acheminé au côté droit de l'ouverture, l'appareil peut être installé.

La connexion électrique doit être fait avant de placer l'appareil en place (voir la section « information électrique »).

Demandez à deux personnes de soulever l'appareil en place.

Afin d'éviter la possibilité d'isolation exposée ou la barrière de vapeur qui entre en contact avec le corps de l'appareil, il est recommandé que les murs de l'enceinte de l'appareil aient « fini » (c.à.d. cloison sèche, place-plâtre, etc.) comme vous finissez n'importe quel autre mur extérieur d'une maison. Ceci garantir que le dégagement aux combustibles est maintenu.

### OSSATURE APPROXIMATIF



	A	B	C	D	E	F	G
<b>NEFB36H-BS-1</b>	11" (279mm)	35 1/2" (902mm)	31 1/4" (794mm)	35 1/2" (902mm)	35 1/2" (902mm)	50 1/4" (1276mm)	35 1/2" (902mm)
<b>NEFB42H-BS-1</b>	13 3/4" (349mm)	41 1/2" (1054mm)	31 1/4" (794mm)	41 1/2" (1054mm)	41 1/2" (1054mm)	58 3/4" (1492mm)	41 1/2" (1053mm)



## 3.4 installation d'appareil et finitions

1. Retirez le couvercle décoratif en avant qui est tient en place avec 2 aimants (Fig. 3-1).
2. Avec une main sur le verre pour le-prevenir de tomber, retirez les 2 vis servant à fixer la porte vitrée en place (Fig. 3-2).

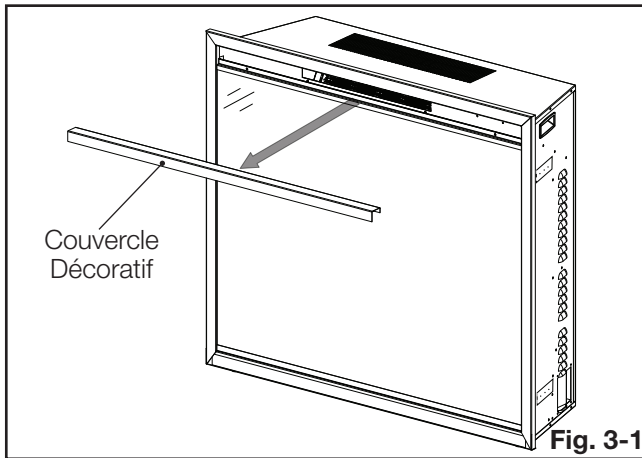


Fig. 3-1

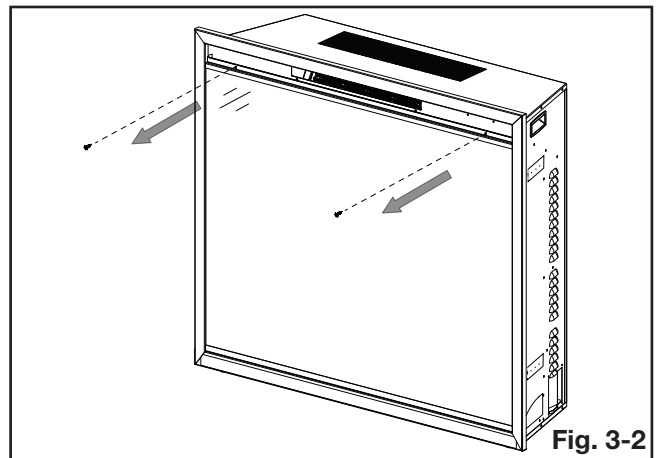


Fig. 3-2

3. Soigneusement soulevez la porte vitrée des 2 fentes dans le bas de la chambre de combustion (Fig. 3-3). Mettez la porte vitrée sur une surface doux et non-abrasive.

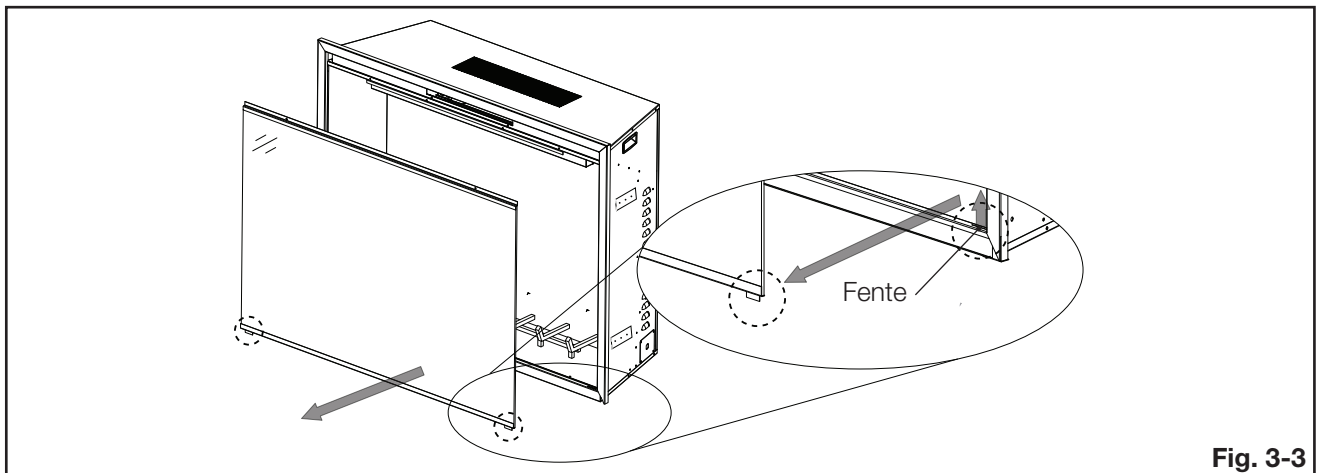


Fig. 3-3

4. **POUR NEFB36H-BS-1 UNIQUEMENT:** Retirez les 4 vis qui maintiennent l'ensemble de bûches en place (Fig. 3-4) puis retirez délicatement l'ensemble de bûches. Mettez de côté la bûche (Fig. 3-5) et jetez les 4 vis.

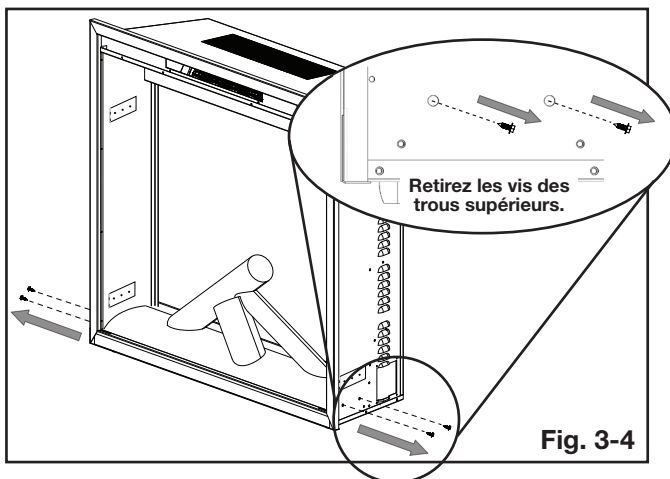


Fig. 3-4

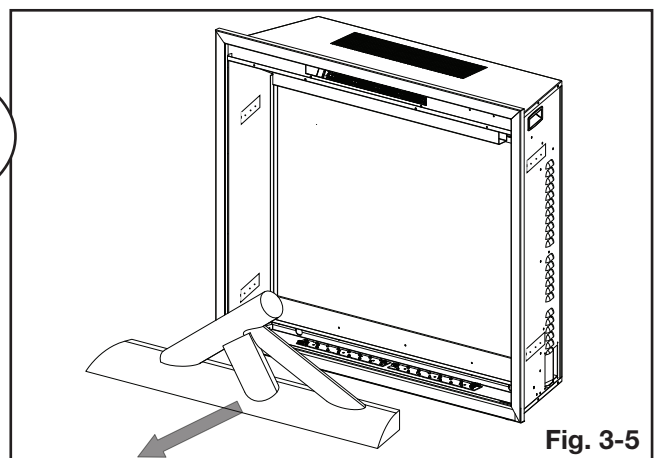


Fig. 3-5

# installation et finitions

FR 5. Complétez le branchement par câble (voir la section « information électrique »).

**note:**

Il est recommandé de compléter la finition du mur avant de fixer complètement l'appareil (**Fig. 3-6**).

6. Soigneusement soulevez l'appareil dans l'ossature approximatif (**Fig. 3-7**).

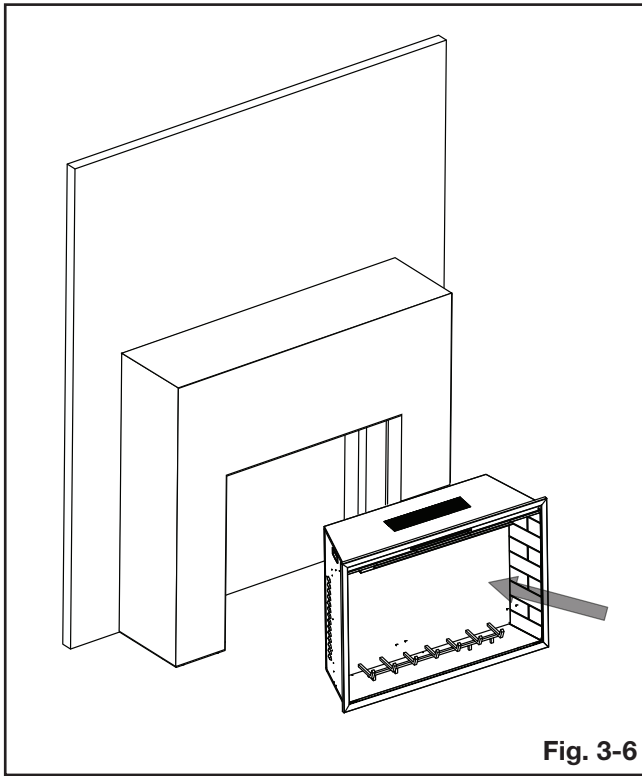


Fig. 3-6

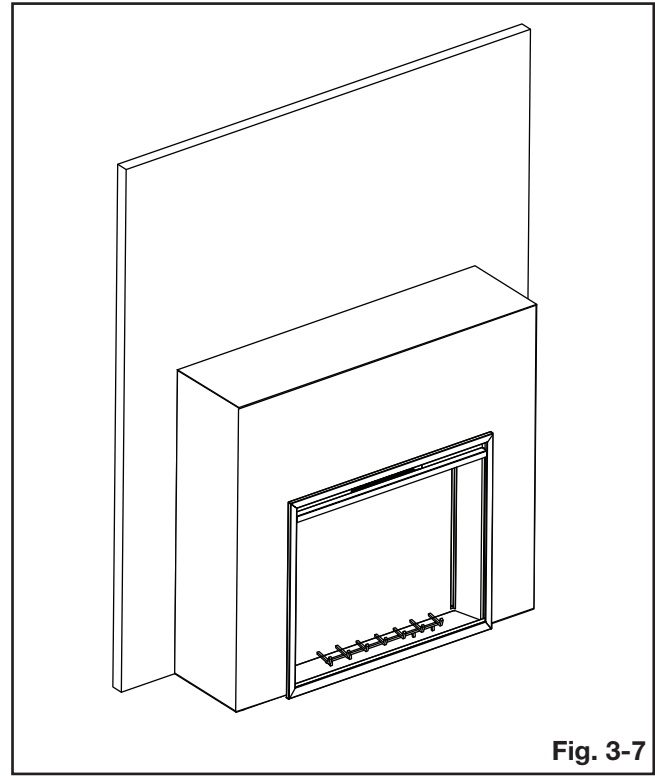


Fig. 3-7

7. Une fois l'appareil inséré dans l'ossature approximatif pour le positionner, fixez l'appareil à l'ossature approximatif en installant 4 vis (fournies) à travers les pattes de montage de l'intérieur de l'appareil (**Fig. 3-8**).

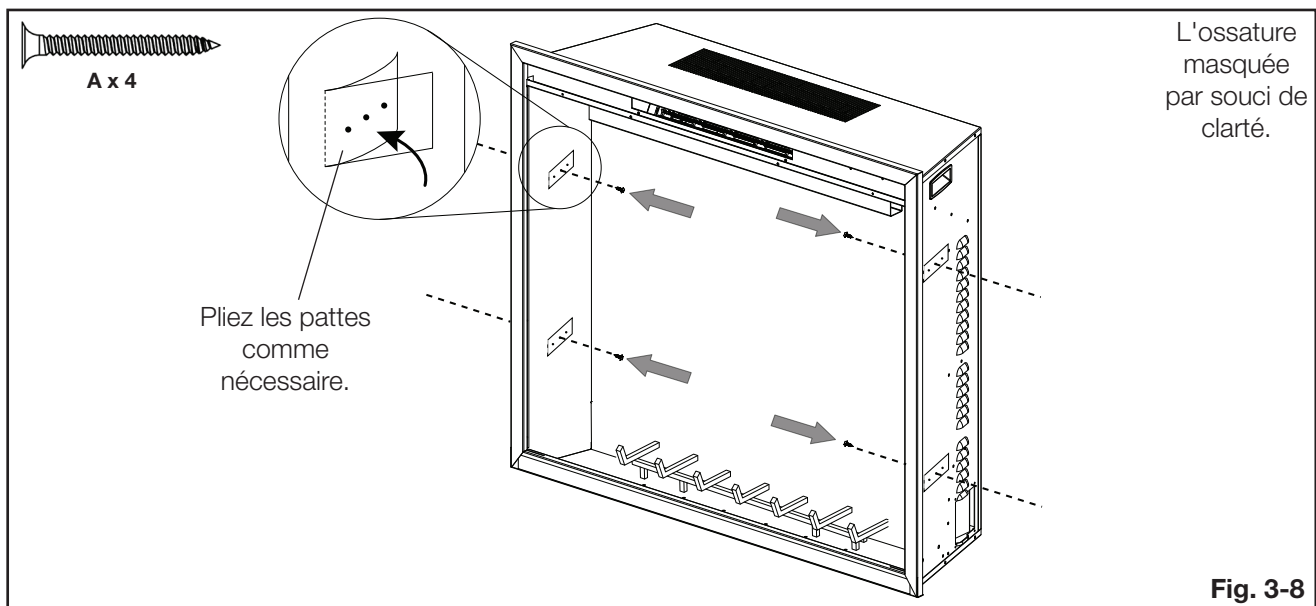
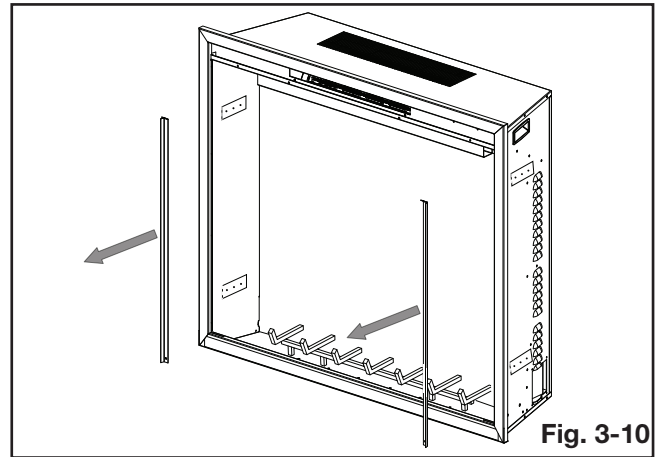
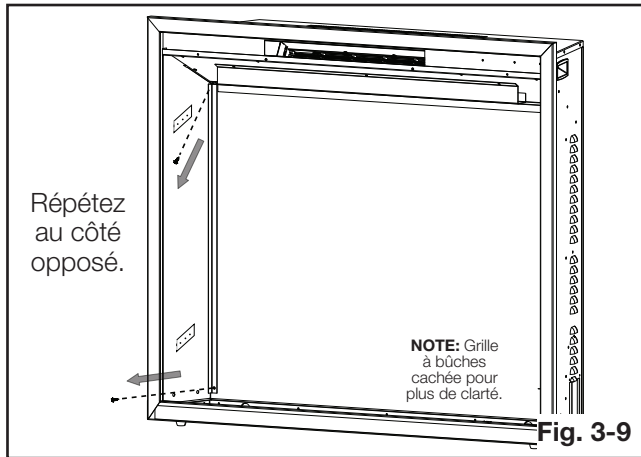
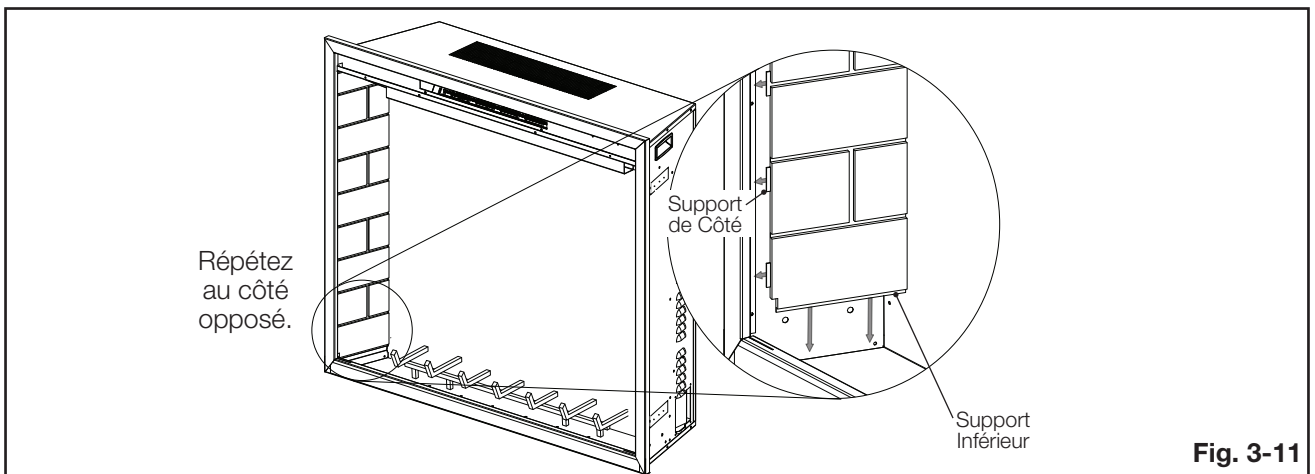


Fig. 3-8

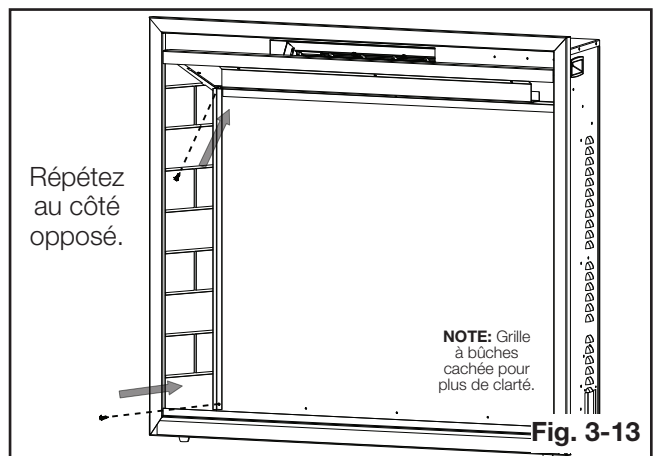
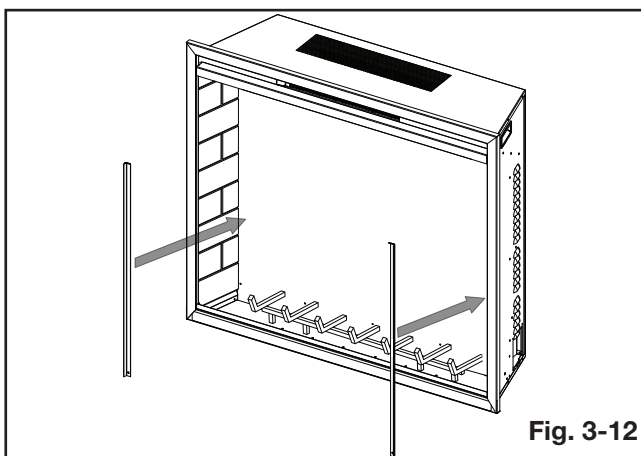
8. Retirez les 4 vis servant à fixer les supports de retenue en place (**Fig. 3-9**). Mettez au côté les vis et les supports (**Fig. 3-10**).



9. Placez les panneaux en brique dans les supports inférieurs et à l'arrière les supports de côté (**Fig. 3-11**).



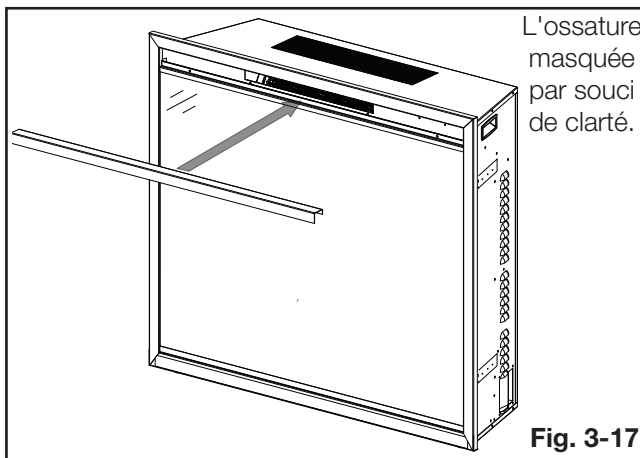
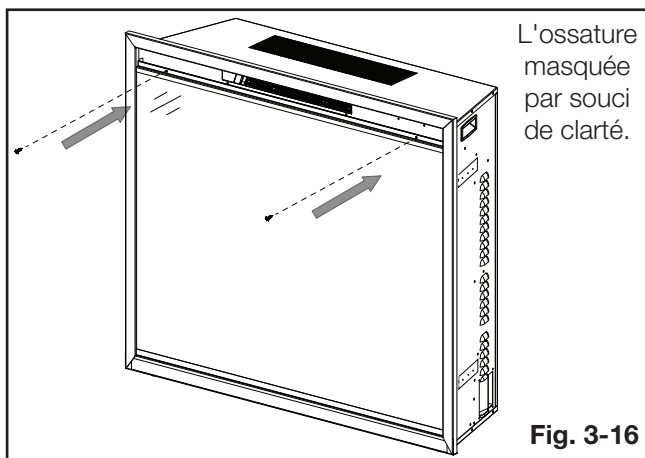
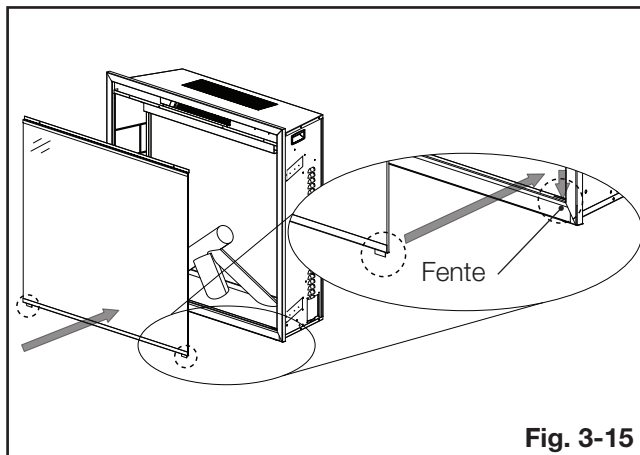
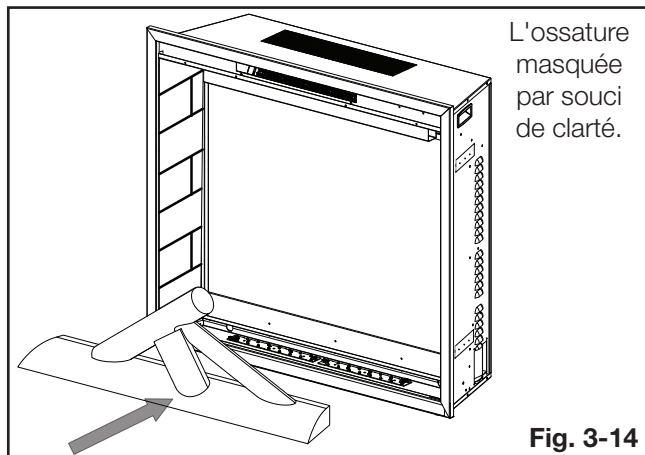
10. Réinstallez les 2 supports arrière en réinstallant les 4 vis précédemment retirées en étape 8 (**Fig. 3-12 et 3-13**).



# installation et finitions

FR

- 11. POUR NEFB36H-BS-1:** Réinstallez l'ensemble de bûches sans réinstaller les 4 vis retirées à l'étape 4 (**Fig. 3-14**).  
**POUR NEFB42H-BS-1:** Installez le jeu de bûches (voir la section "Installation des bûches" pour plus de détails).
12. Réinstallez la porte vitrée (**Fig. 3-15 et 3-16**).
13. Réinstallez le couvercle décoratif en avant qui est tenu en place avec 2 aimants (**Fig. 3-17**).



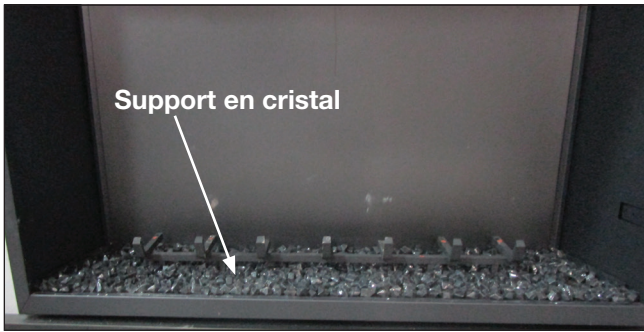
## 3.5 installation de l'ensemble de bûches (NEFB36H-BS-1 seulement)

### ! AVERTISSEMENT

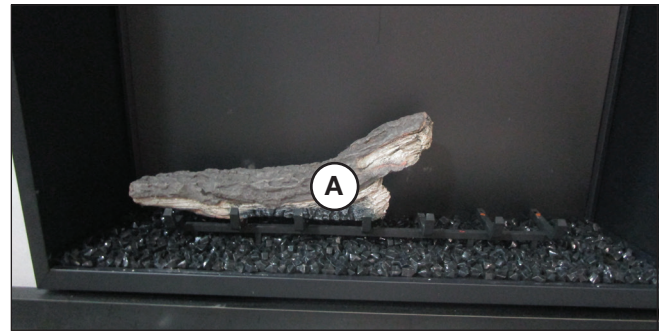
- Le service d'alimentation électrique doit être terminé avant la finition pour éviter la reconstruction.
- Les bouches de chaleur et les ouvertures d'aération ne peuvent en aucun cas être couvertes.



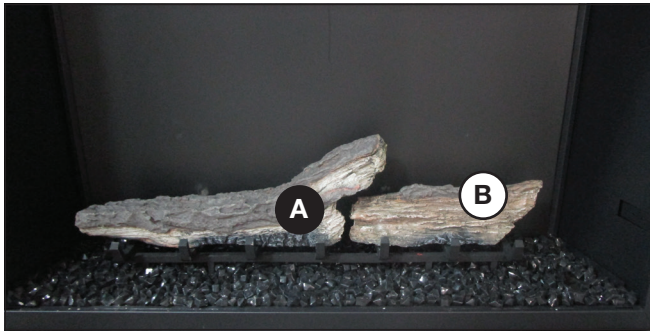
**ENSEMBLE DE BÛCHES COMPLET. LISEZ ATTENTIVEMENT LES PAGES SUIVANTES POUR LES DÉTAILS D'INSTALLATION.**



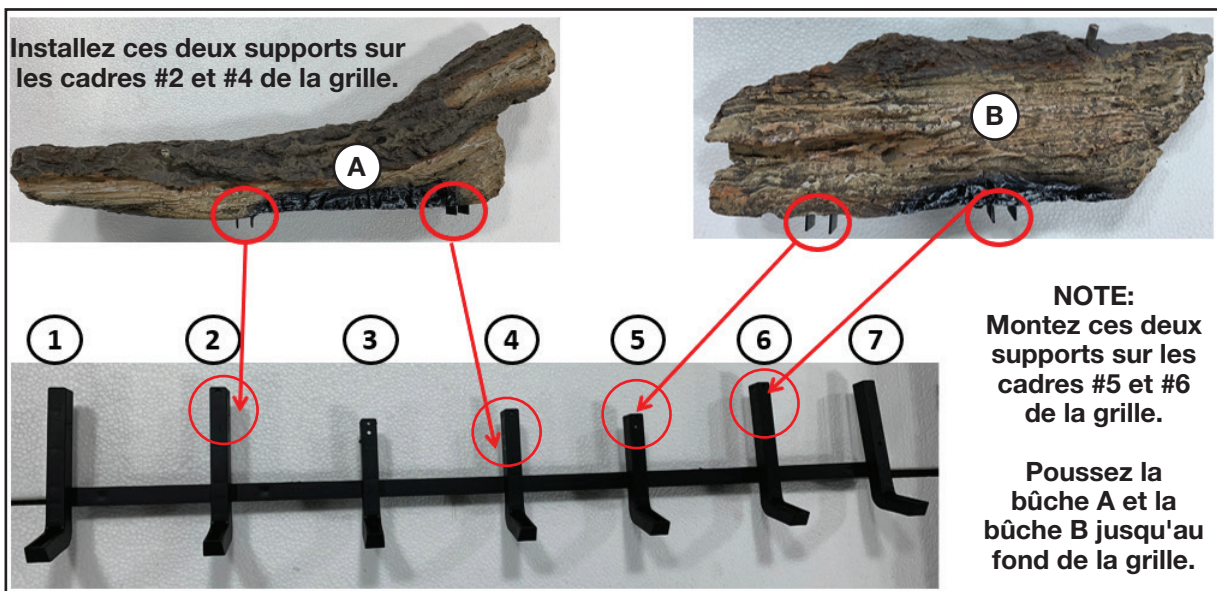
1. Installez le support en cristal en appliquant une couche uniforme de cristaux d'un côté à l'autre.



2. Installez la bûche A (voir ci-dessous pour plus de détails).



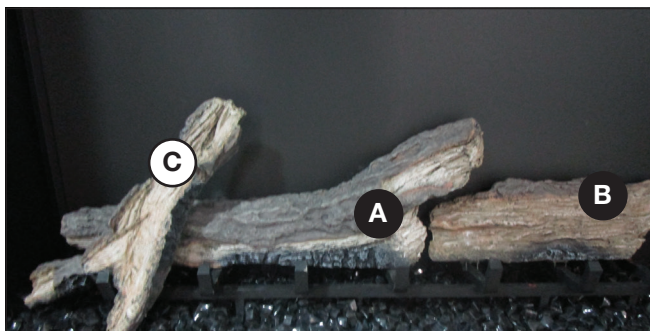
3. Installez la bûche B à droite de la bûche A (voir ci-dessous pour plus de détails).



BÛCHE A & B : VUE DÉTAILLÉE DE L'INSTALLATION

# installation et finitions

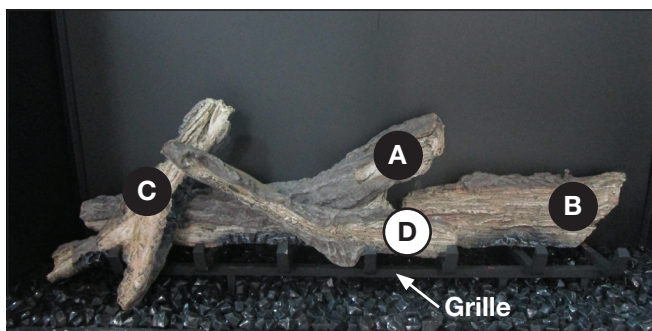
FR



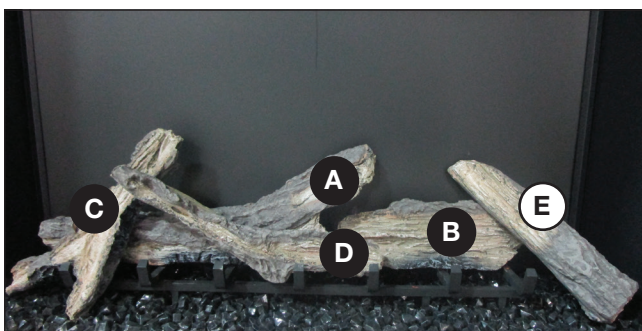
4. Installez la bûche C en la reposant le long de l'extrémité supérieure gauche de la bûche A (voir ci-dessous pour plus de détails).



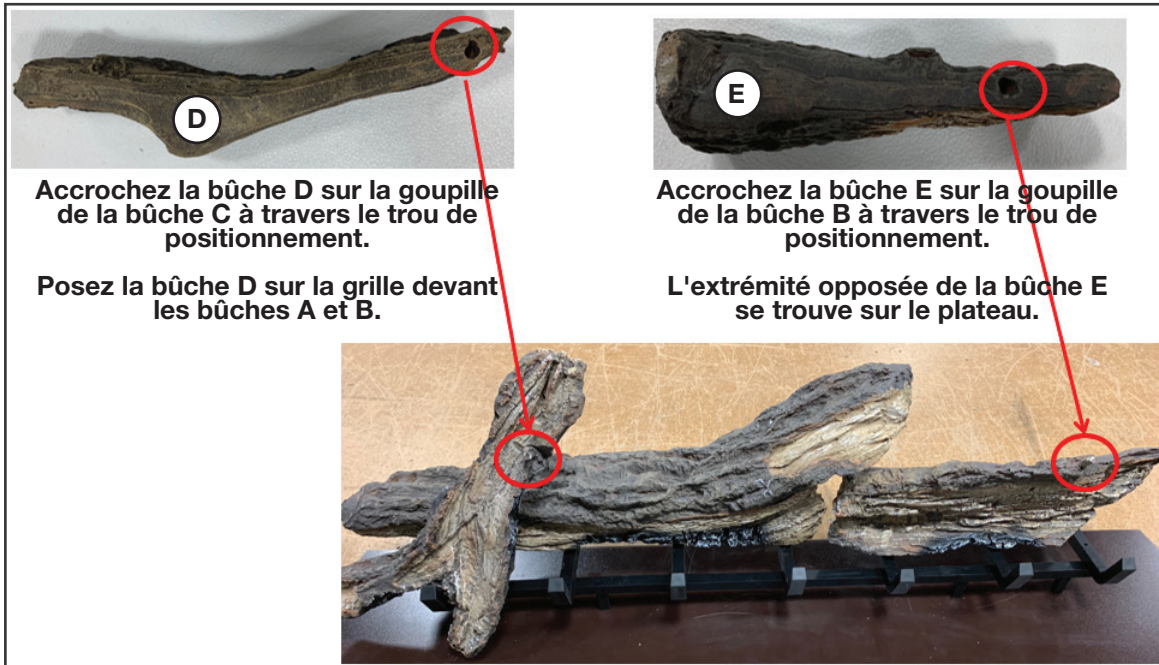
**BÛCHE C : VUE DÉTAILLÉE DE L'INSTALLATION**



5. Installez la bûche D en la reposant le long du centre de la grille avant (voir la page suivante pour plus de détails).



6. Installez la bûche E en la reposant sur l'extrémité supérieure droite de la bûche B (voir la page suivante pour plus de détails).



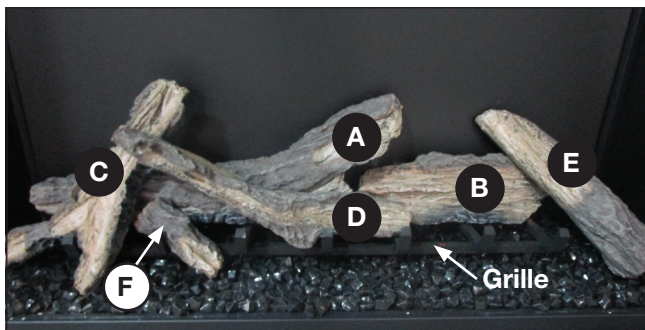
Accrochez la bûche D sur la goupille de la bûche C à travers le trou de positionnement.

Posez la bûche D sur la grille devant les bûches A et B.

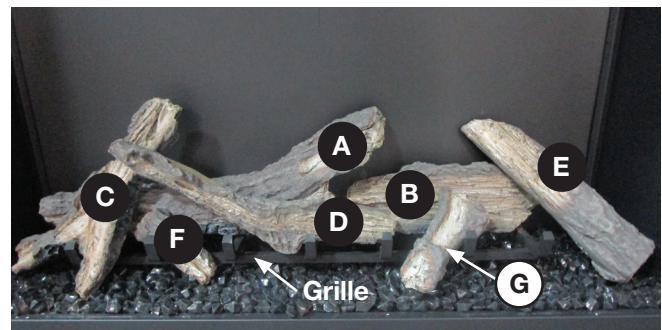
Accrochez la bûche E sur la goupille de la bûche B à travers le trou de positionnement.

L'extrémité opposée de la bûche E se trouve sur le plateau.

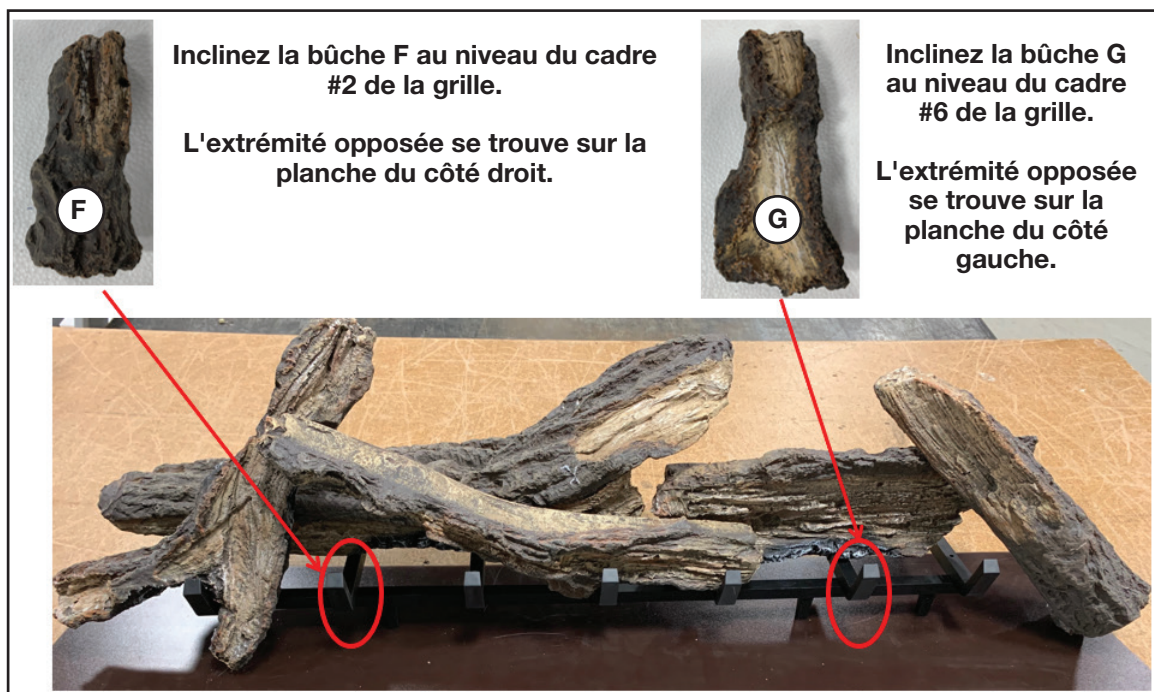
**BÛCHE D & E : VUE DÉTAILLÉE DE L'INSTALLATION**



7. Installez la bûche F en la reposant le long de l'extrémité gauche de la grille (voir ci-dessous pour plus de détails).



8. Installez la bûche G en la reposant le long de l'extrémité droite de la grille (voir ci-dessous pour plus de détails).



Inclinez la bûche F au niveau du cadre #2 de la grille.

L'extrémité opposée se trouve sur la planche du côté droit.

Inclinez la bûche G au niveau du cadre #6 de la grille.

L'extrémité opposée se trouve sur la planche du côté gauche.

**BÛCHE F & G : VUE DÉTAILLÉE DE L'INSTALLATION**

# 4.0 information électrique

FR

## 4.1 installation de prise de courant 120V

Le réglage de défaut en usine est une configuration d'installation d'une prise de courant 120V. Branchez l'appareil d'une boîte de sortie de 120V, 15 ampères mise à la terre.

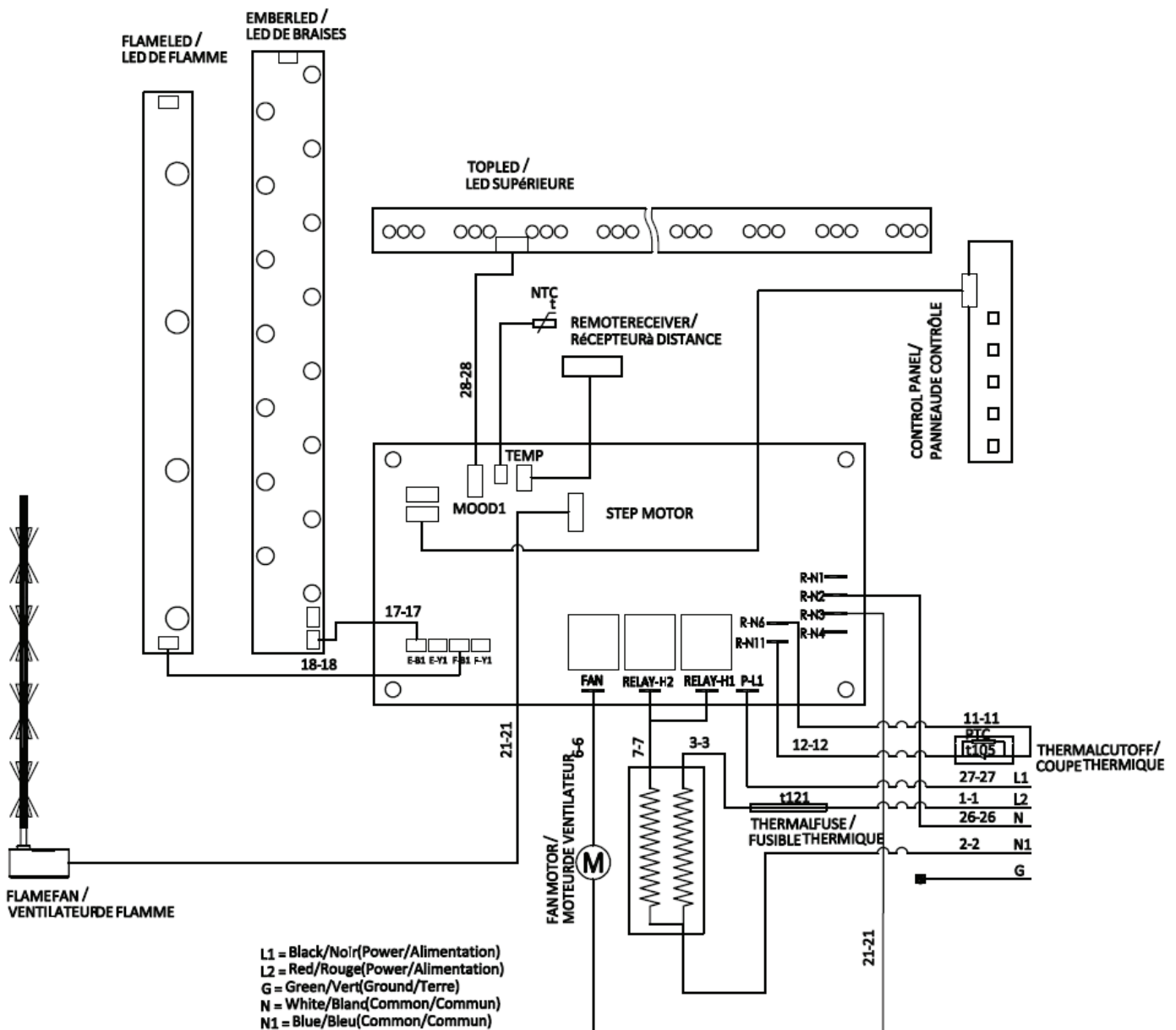
**note:**

Cet appareil doit être connecté à un circuit de 15 ampères dédié. L'utilisation d'un cordon d'extension N'EST PAS autorisée.

## 4.2 schéma de câblage

### ! AVERTISSEMENT

- Coupez l'alimentation électrique à l'appareil et laissez-le refroidir avant d'effectuer un entretien. Seul un technicien de service qualifié peut effectuer l'entretien ou la réparation de cet appareil électrique.





4.3 installation de branchement par câble

**AVERTISSEMENT**

- Coupez l'alimentation électrique à l'appareil et laissez-le refroidir avant d'effectuer un entretien. Seul un technicien de service qualifié peut effectuer l'entretien ou la réparation de cet appareil électrique.

**BRANCHMENT PAR CÂBLE**

Si c'est nécessaire de faire un branchement par câble, un électricien qualifié peut retirer le cordon d'alimentation de l'appareil et brancher ce dernier directement au câblage de la maison. Le branchement du fil et de l'alimentation électrique doit être évalué à 120V minimum, 15 ampères.

Cet appareil doit être raccordé électriquement et mis à la terre conformément aux codes locaux. En l'absence de tels codes, utilisez la version courante de Code Canadien de l'Électricité CSA C22.1 au Canada ou du National Electrical Code ANSI/NFPA 70 aux États-Unis.

**4.3.1 installation de branchement par câble 120V**

1. Retirez les 4 vis servant à fixer le cordon et la plaque de recouvrement au côté de la chambre de combustion.
2. Dévissez les connecteurs de fils du cordon d'alimentation.
3. Installez le nouveau soulagement de traction (fourni) (**Fig. 4-1**) dans la nouvelle plaque de recouvrement (fournie) et mettez le conducteur de 14/2 à travers le soulagement de traction.
4. Connectez les fils de terre/bonding ensemble.
5. Connectez L1 à L1 de l'appareil.
6. Connectez le fil d'alimentation N aux deux fils d'alimentation N dans la boîte de jonction. Ne connectez pas le fil L2.
7. Avec les fils sécurisés, soigneusement mettez les fils dans la chambre de combustion et fixez encore la plaque de recouvrement.

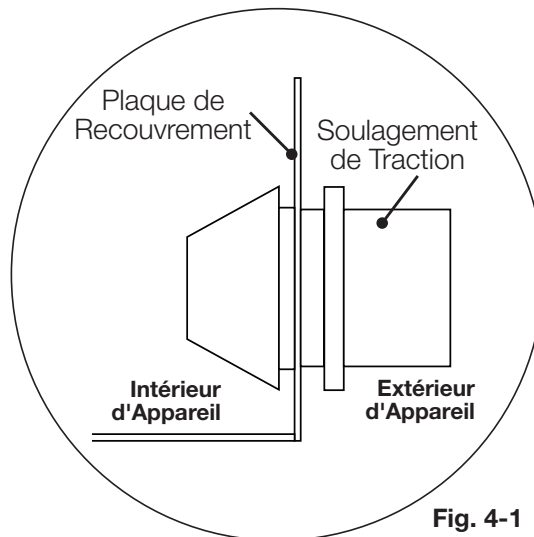
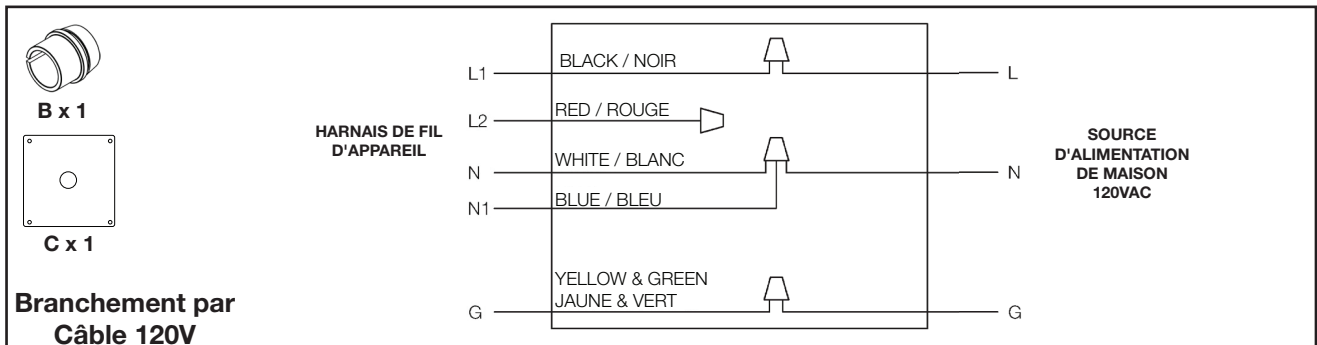


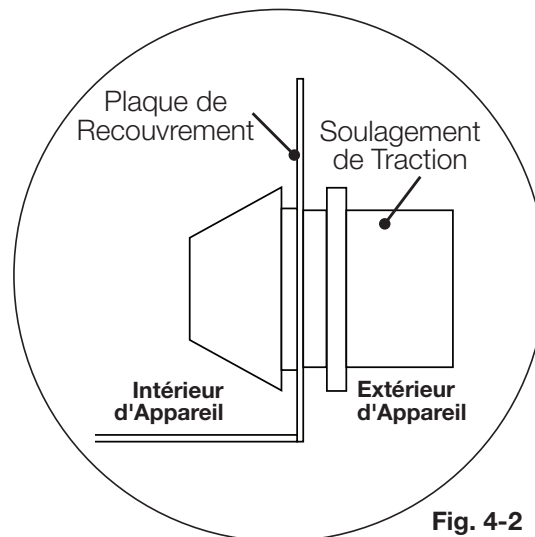
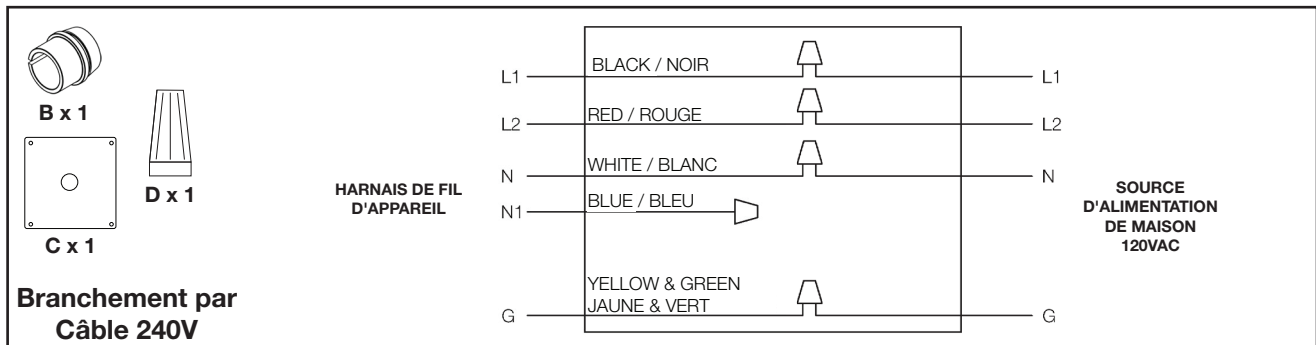
Fig. 4-1

# information électrique

FR

## 4.3.2 installation de branchement par câble 240V

1. Retirez les 4 vis servant à fixer le cordon et la plaque de recouvrement au côté de la chambre de combustion.
2. Dévissez les connecteurs de fils servant à fixer le cordon d'alimentation et le fil L2.
3. Installez le nouveau soulagement de traction (fourni) (**Fig. 4-2**) dans la nouvelle plaque de recouvrement et mettez le conducteur de 14/3 à travers le soulagement de traction.
4. Connectez les fils de terre/bonding ensemble.
5. Connectez L1 à L1 de l'appareil, connectez le fil d'alimentation N au fil single blanc N dans la chambre de combustion. Connectez le fil L2 au fil L2 dans l'appareil.
6. Vissez les connecteurs de fils sur le fil bleu N. Ne connectez pas les fils d'alimentation à ce fil.
7. Avec les fils sécurisés, soigneusement mettez les fils dans la chambre de combustion et fixez encore la plaque de recouvrement.



## 5.0 instructions de fonctionnement

FR






### AVERTISSEMENT

- Assurez-vous que les disjoncteurs de la maison pour ce circuit soient allumés. Lorsque vous connectez l'appareil d'une source d'alimentation pour la première fois, l'appareil va faire un bip d'indiquer le mode veille.

Une fois que l'appareil est branché dans une prise de courant mise à la terre ou câblé d'une source d'alimentation dédié 120V, il est prêt à fonctionner.

### 5.1 fonctionnement de panneau de contrôle











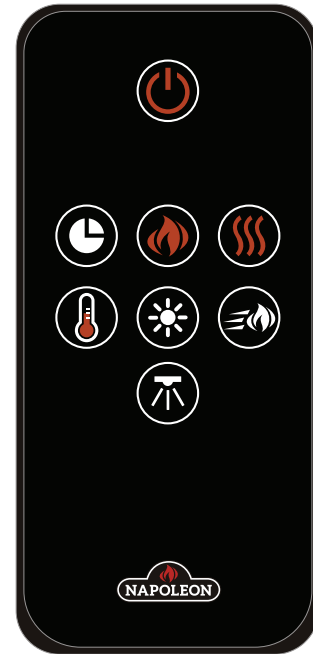
<b>Alimentation</b>		Allume / éteint l'appareil.																						
<b>Contrôle de Température</b>		<p>Contrôle la température de l'appareil.</p> <p><b>11 Réglages</b></p> <table border="1"> <tbody> <tr> <td>°C</td> <td>18</td> <td>19</td> <td>20</td> <td>21</td> <td>22</td> <td>23</td> <td>24</td> <td>25</td> <td>26</td> <td>27</td> </tr> <tr> <td>°F</td> <td>64</td> <td>66</td> <td>68</td> <td>70</td> <td>72</td> <td>74</td> <td>76</td> <td>78</td> <td>80</td> <td>82</td> </tr> </tbody> </table> <p><b>NOTE:</b> Lorsque le réglage est °C ou °F, le contrôle de température est OFF. Appuyez le bouton pendant 5s va changer la température de °C à °F et vice versa.</p>	°C	18	19	20	21	22	23	24	25	26	27	°F	64	66	68	70	72	74	76	78	80	82
°C	18	19	20	21	22	23	24	25	26	27														
°F	64	66	68	70	72	74	76	78	80	82														
<b>Chauffage</b>		<p>Allume / éteint le chauffage et ventilateur.</p> <p><b>3 Réglages:</b>                      H0 - Chauffage et ventilateur éteint                      bL - Ventilateur allume                      H1 - Chauffage allume</p> <p><b>NOTE:</b> Le fonction de chauffage peut être verrouillé ou deverrouillé en appuyant le bouton pendant 5s. Lorsque le fonction de chauffage est désactivé, « LO » sera affiché.</p>																						
<b>Lumière Supérieure</b>		<p>Contrôle le couleur de la lumière supérieure.</p> <p><b>8 Réglages:</b>                      d1 - Jaune, rouge, et bleu                      d2 - Rouge et bleu                      d3 - Jaune et bleu                      d4 - Jaune et rouge                      d5 - Bleu                      d6 - Rouge                      d7 - Jaune                      d0 - Off</p>																						
<b>Flamme</b>		<p>Contôle la luminosité de la flamme.</p> <p><b>5 Réglages:</b>                      F0 - Flamme éteint                      F1 - Flamme petite                      F2 - Flamme moyenne                      F3 - Flamme brillante                      F4 - Flamme la plus brillante</p>																						

# instructions de fonctionnement

FR

## 5.2 fonctionnement de télécommande

<b>Alimentation</b>		Allume / éteint l'appareil.																						
<b>Minuterie</b>		Allume / éteint la minuterie. <b>10 Réglages:</b> -- (pas de réglage), 30 min., 1h, 2h, 3h, 4h, 5h, 6h, 7h, 8h																						
<b>Contrôle de Température</b>		Contrôle la température de l'appareil. <b>11 Réglages:</b> <table border="1" data-bbox="480 495 964 569"> <tr> <td>°C</td> <td>18</td> <td>19</td> <td>20</td> <td>21</td> <td>22</td> <td>23</td> <td>24</td> <td>25</td> <td>26</td> <td>27</td> </tr> <tr> <td>°F</td> <td>64</td> <td>66</td> <td>68</td> <td>70</td> <td>72</td> <td>74</td> <td>76</td> <td>78</td> <td>80</td> <td>82</td> </tr> </table> <p><b>NOTE:</b> Lorsque le réglage est °C ou °F, le contrôle de température est OFF. Appuyez le bouton pendant 5s va changer la température de °C à °F et vice versa.</p>	°C	18	19	20	21	22	23	24	25	26	27	°F	64	66	68	70	72	74	76	78	80	82
°C	18	19	20	21	22	23	24	25	26	27														
°F	64	66	68	70	72	74	76	78	80	82														
<b>Flamme</b>		Contrôle la luminosité de la flamme. <b>5 Réglages:</b> F0 - Flamme éteint F1 - Flamme petite F2 - Flamme moyenne F3 - Flamme brillante F4 - Flamme la plus brillante																						
<b>Lumière Supérieure</b>		Contrôle la couleur de la lumière supérieure. <b>8 Réglages:</b> d1 - Jaune, rouge, et bleu d2 - Rouge et bleu d3 - Jaune et bleu d4 - Jaune et rouge d5 - Bleu d6 - Rouge d7 - Jaune d0 - Off																						
<b>Luminosité</b>		Contrôle la luminosité du lit de braise. <b>6 Réglages:</b> b0 - Pas de luminosité b1 - Faible b2 - Moyenne b3 - Brillante b4 - La plus brillante b5 - Effet de pulsation (disparaître par intermittence)																						
<b>Chauffage</b>		Allume / éteint le chauffage et ventilateur. <b>3 Réglages:</b> H0 - Chauffage et ventilateur éteint bL - Ventilateur allume H1 - Chauffage allume <b>NOTE:</b> Le fonction de chauffage peut être verrouillé ou deverrouillé en appuyant le bouton pendant 5s. Lorsque le fonction de chauffage est disactivé, « LO » sera affiché.																						
<b>Vitesse de Flamme</b>		Contrôle la vitesse de la flamme. <b>5 Réglages:</b> S-3, S-4, S-5, S-1, S-2																						



**note:**

Lorsque vous utilisez la télécommande, la-dirigez vers l'avant centre de l'appareil.

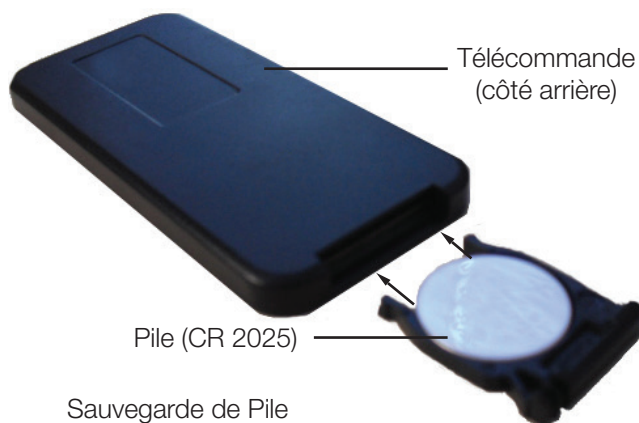
## 5.3 installation de pile de télécommande

### ! AVERTISSEMENT

- Cette télécommande nécessite des piles bouton qui sont dangereuses pour les jeunes enfants.
- **AVERTISSEMENT! GARDEZ DES PILES DE LA PORTÉE DES ENFANTS.**
- L'ingestion peut entraîner des blessures graves ou la mort dans moins de 2 heures, en raison des brûlures chimiques et de la perforation potentielle de l'oesophage.
- Si vous pensez que votre enfant a avalé ou inséré une pile bouton, recherchez immédiatement une assistance médicale urgente.
- Examinez les appareils et assurez-vous que le compartiment de la pile est bien fixé que la vis ou autre attache mécanique est serrée. Ne pas utiliser si le compartiment n'est pas sécurisé.
- Éliminez les piles bouton usagées immédiatement et en toute sécurité. Les piles plates peuvent encore être dangereuses.
- Enseignez aux autres les risques associés aux piles bouton et la façon de garder leurs enfants en sécurité.



- Pour remplacer la pile existante, retirez la sauvegarde de pile.
- Pour retirer la sauvegarde de pile, tournez la télécommande sur le côté avant. Faites glisser la sauvegarde de pile vers l'extérieur.
- Remplacez la sauvegarde de pile existante avec une pile nouvelle (type CR 2025). Faites glisser la sauvegarde de pile dans sa position originale.
- La sauvegarde de pile est bien fixé à la télécommande lorsque vous entendez un « CLIC ».



Les piles doivent être mises au rebut conformément aux lois et à la réglementation locales. Certaines piles peuvent être recyclées dans votre centre de recyclage local. Renseignez-vous auprès de votre municipalité au sujet des directives de recyclage.

## 6.0 entretien

### ! AVERTISSEMENT

- Toujours désactivez le chauffage et débranchez le cordon d'alimentation de nettoyage, d'entretien, ou de délocalisation. Le non-respect de cette précaution peut resulter en choc électrique, incendie, ou dommages corporels.
- Ne jamais immergez dans l'eau ou vaporisez avec de l'eau. Cela pourrait entraîner dans choc électrique, feu, ou dommages corporels.

#### Métal:

- Polissez à l'aide d'un chiffon doux et humidifié un peu avec un produit à base d'huile d'agrumes.
- N'utilisez pas du polissage de laiton ou des nettoyants ménagers parce-que ces produits endommageront la garniture en métal.

#### Verre:

- Utilisez un nettoyant de bon qualité sur un chiffon ou serviette. Essuyez à fond avec une serviette en papier ou un chiffon non pelucheux.
- Ne jamais utilisez les nettoyants abrasifs, les sprays liquids, ou tout nettoyant qui peut gratter la surface.

#### Évents:

- Utilisez un aspirateur ou chiffon d'enlever la poussière et la saleté du chauffage et les zones d'évents.

#### Plastique:

- Essuyez doucement avec un chiffon humidifié et une méange doux de porte-savon et de l'eau chaud.
- Ne jamais utilisez les nettoyants abrasifs, les sprays liquids, ou tout nettoyant qui peut gratter la surface.

## 7.0 pièces de rechange

FR

### AVERTISSEMENT

- Omettre de positionner les pièces conformément à ce manuel ou d'utiliser uniquement des pièces spécifiquement approuvées pour cet appareil peut causer des dommages matériels ou des blessures corporelles.

Contactez votre détaillant pour les questions concernant les prix et la disponibilité des pièces de remplacement. Normalement, toutes les pièces peuvent être commandées chez votre détaillant autorisé.

**Pour un remplacement de pièce sous garantie, une photocopie de la facture originale sera requise afin de pouvoir honorer la demande.**

Lorsque vous commandez des pièces, donnez toujours l'information suivante:

- Modèle et numéro de série de l'appareil
- Date d'installation de l'appareil
- Numéro de la pièce
- Description de la pièce
- Fini

**Pièces, numéro des pièces et s'il soit disponible peut changer sans préavis.**

**Parties identifiées comme garnie seront livrés dans 2 à 5 jours pour la plupart des destinations de livraison.**

**Pièces non identifiées que stockés seront livrés dans un délai de 2 à 4 semaines pour la plupart des cas.**

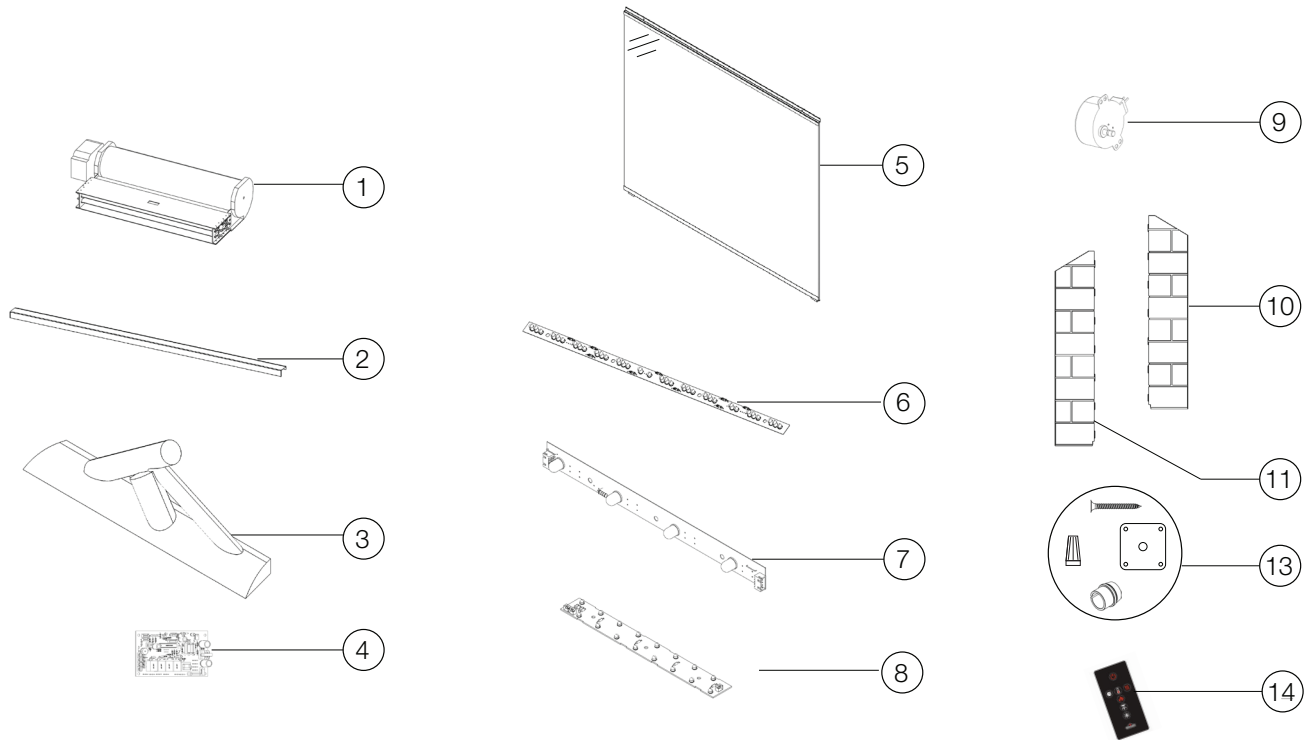
**Pièces identifiées comme « SO » sont commande spéciale et peuvent prendre jusqu'à 90 jours pour la livraison.**

Pour le service après-vente, veuillez contacter 1-866-820-8686.

#### **note:**

Des précautions doivent être prises lors de l'élimination et de l'élimination de tout verre brisé ou de composants endommagés. Assurez-vous d'aspirer tout verre brisé de l'intérieur avant l'opération.

## 7.1 vue d'ensemble NEFB36H-BS-1



**CES ARTICLES PEUVENT DIFFÉRER DE CEUX ILLUSTRÉS**

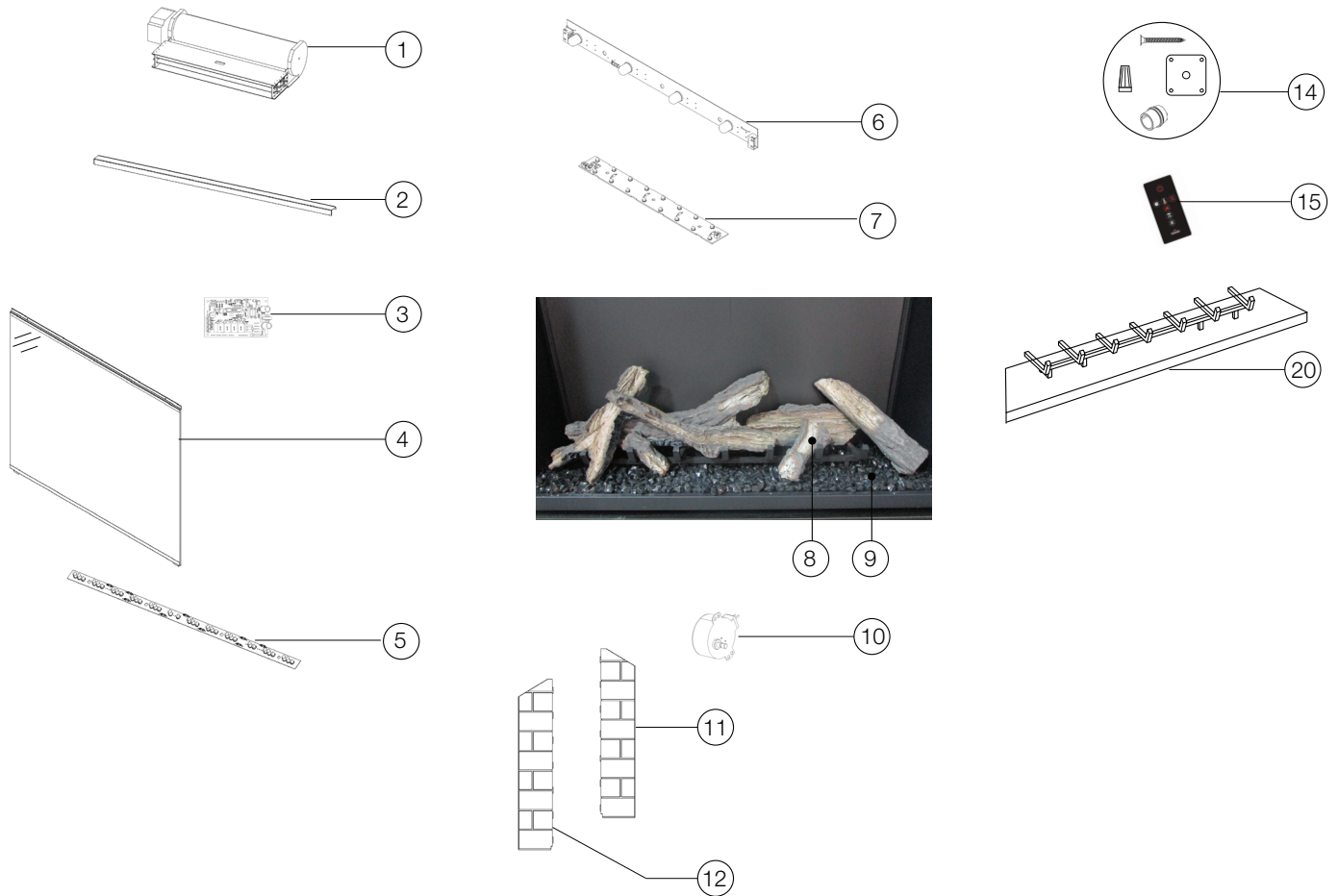
Réf.	No. de Pièce	Description	En Stock	Réf.	No. de Pièce	Description	En Stock
1	W010-6159	Assemblage, chauffage et ventilateur	Oui	9	W435-0130	Moteur, rôtisserie	Oui
2	W080-1937-SER	Couverture décorative	Oui	10	W475-1678-SER	Panneau, brique latéral gauche	Oui
3	W135-0820-SER	Ensemble de bûche	Oui	11	W475-1679-SER	Panneau, brique latéral droite	Oui
4	W190-0243	Carte PCB principale	Oui	12*	W010-6160	Assemblage de broche de réflecteur	Oui
5	W300-0297-SER	Verre avant	Oui	13	W175-0708-SER	Ensemble de quincaillerie	Oui
6	W405-0078-SER	Lumière LED supérieure	Oui	14	W190-0244	Télécommande	Oui
7	W405-0079-SER	Lumière LED de flamme	Oui	15*	W190-0242	Carte du panneau de commande	Oui
8	W405-0080-SER	Lumière LED de lit de braises	Oui	16*	W190-0153-SER	Boutons du panneau de commande	Oui
				17*	W190-0154-SER	Récepteur à distance	Oui
				18*	W690-0027-SER	Thermostat	Oui
				19*	W497-1652	Panneau en plastique	Oui

\* Pièces non illustrés.

# pièces de rechange

FR

## 7.2 vue d'ensemble NEFB42H-BS-1



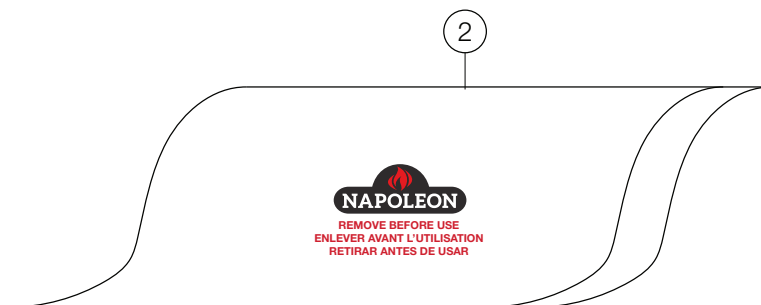
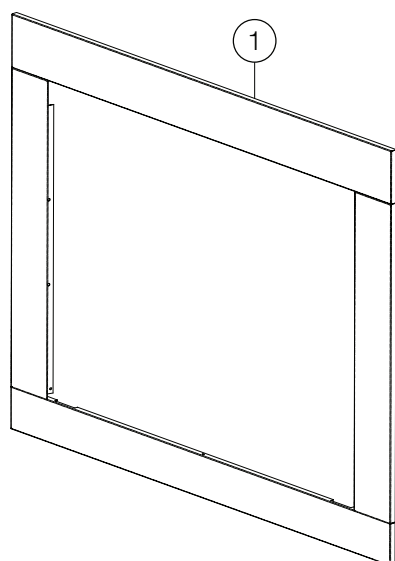
**CES ARTICLES PEUVENT DIFFÉRER DE CEUX ILLUSTRÉS.**

Réf.	No. de Pièce	Description	En Stock
1	W010-6159	Assemblage, chauffage et ventilateur	Oui
2	W080-2073	Couverture décorative	Oui
3	W190-0243	Carte PCB principale	Oui
4	W300-0379	Verre avant	Oui
5	W405-0078-SER	Lumière LED supérieure	Oui
6	W405-0103	Lumière LED de flamme	Oui
7	W405-0080-SER	Lumière LED de lit de braises	Oui
8	GL-715	Ensemble de bûche	
9	G497-0008	Médias en cristal	Oui
10	W435-0130	Moteur, rôtisserie	Oui

\* Pièces non illustrés.

Réf.	No. de Pièce	Description	En Stock
11	W475-6307	Panneau, brique latéral gauche	Oui
12	W475-6308	Panneau, brique latéral droite	Oui
13 *	W010-6164	Assemblage de broche de réflecteur	Oui
14	W175-0708-SER	Ensemble de quincaillerie	Oui
15	W190-0244	Télécommande	Oui
16 *	W190-0242	Carte du panneau de commande	Oui
17 *	W190-0153-SER	Boutons du panneau de commande	Oui
18 *	W190-0154-SER	Récepteur à distance	Oui
19 *	W690-0027-SER	Thermostat	Oui
20	W010-6092	Lit multimédia avec grille	Oui
21*	W497-1653	Panneau en plastique	Oui





**CES ARTICLES PEUVENT DIFFÉRER DE CEUX ILLUSTRÉS.**

Réf.	Part Number	Description	En Stock
1	NEFB36H-BS-TRIM	Kit, garniture 4 pièces (NEFB36H-BS-1)	Oui
1	NEFB42H-BS-TRIM	Kit, garniture 4 pièces (NEFB42H-BS-1)	Oui
2	NEFAK-PC36	Couvercle de protection (NEFB36H-BS-1)	Oui
2	NEFAK-PC42	Couvercle de protection (NEFB42H-BS-1)	Oui

## 9.0 guide de dépannage

FR

### AVERTISSEMENT

- Coupez l'alimentation électrique à l'appareil et laissez-le refroidir avant d'effectuer un entretien. Seulement un technicien de service qualifié peut effectuer l'entretien ou la réparation de cet appareil électrique.

symptôme	problème	solution
L'appareil ne s'allume pas lorsque l'interrupteur est mis à « on ».	L'appareil n'est pas branché dans une prise de courant.	Vérifiez la prise, et branchez dans l'appareil si nécessaire.
	Branchement par câble sont incorrectes.	Voir la section « branchement par câble ».
	L'appareil a surchauffé et le dispositif de sécurité a entraîné le déclenchement de l'interrupteur thermique.	Débranchez l'appareil et le disjoncteur, laissez-le refroidir pendant 15 minutes, puis branchez l'appareil ou allumez le disjoncteur.
	Issue avec le panneau PCB principal.	Inspectez la carte de circuit imprimé et remplacez-le si nécessaire.
L'appareil s'éteint et ne se rallume pas.	Le disjoncteur de la maison s'est déclenché.	Réinitialisez le disjoncteur.
	Le fusible de l'appareil a éteint.	Remplacez le fusible.
	L'appareil a surchauffé et le dispositif de sécurité a entraîné le déclenchement de l'interrupteur thermique.	Débranchez l'appareil et le disjoncteur, laissez-le refroidir pendant 15 minutes, puis branchez l'appareil ou allumez le disjoncteur.
L'appareil est revenue à les paramètres par défaut.	Panne de courant.	Reprogramme l'appareil au paramètres d'origine (pas applicable avec tous les appareils).
La télécommande ne fonctionne pas.	Les piles sont faibles.	Remplacez les piles de la télécommande.
	Dysfonctionnement du récepteur à distance.	Assurez-vous que le récepteur à distance n'est pas bloqué. Remplacez le panneau.
L'appareil n'émet aucune chaleur.	Réglage du chauffage n'est pas sélectionné.	Voir la section « fonctionnement ».
	Le chauffage a été verrouillé.	Voir la section « fonctionnement ».
	La température ambiante est plus élevée que le réglage de l'appareil (si réglée au température de la chambre).	Réinitialisez le réglage pour la température.
	L'appareil a surchauffé et le dispositif de sécurité a entraîné le déclenchement de l'interrupteur thermique.	Débranchez l'alimentation ou éteignez le disjoncteur. Laissez l'appareil refroidir pendant 15 minutes.
	Branchement par câble sont incorrectes.	Voir la section « branchement par câble ».
	Problème avec le chauffage.	Inspectez la soufflerie and le chauffage, et les remplacez si nécessaire.
La chauffage s'éteint automatiquement.	La salle est trop chaude.	L'appareil est équipé d'un thermostat intégré et s'éteindra automatiquement lorsque la température programmée sera atteinte. Il s'allumera automatiquement lorsque la température de la pièce descendra en dessous de la température programmée.

symptôme	problème	solution
La luminosité du jeu de flammes est faible ou inexistante.	Éclat de flamme n'est pas sélectionné.	Voir la section « fonctionnement ».
	Problème avec les flamme DELs.	Vérifiez les DELs et remplacez-les si nécessaire.
	Problème avec le panneau PCB principal.	Vérifiez le panneau PCB principal et remplacez-le si nécessaire.
La flamme ne bouge pas.	Le moteur est calé / ne fonctionne pas	Cycle de marche / arrêt. Si le problème persiste, consultez votre détaillant.
Le lit de braises s'aillumine pas ou ne diminue pas en luminosité.	Luminosité n'est pas sélectionné.	Voir la section « fonctionnement ».
	Problème avec les DEL de braises.	Vérifiez les DEL de braises et remplacez-les si nécessaire.
	Problème avec le panneau PCB principal.	Vérifiez la panneau PCB principal et remplacez-le si nécessaire.
DEL clignote « OH ».	L'appareil a surchauffé et le dispositif de sécurité a entraîné le déclenchement de l'interrupteur thermique.	Débranchez l'appareil et le disjoncteur, laissez-le refroidir pendant 15 minutes, puis branchez l'appareil ou allumez le disjoncteur. Si le problème persiste, consultez votre détaillant.

# 10.0 garantie

FR

Les appareils électriques **Napoléon** sont fabriqués conformément aux normes strictes du Système de Gestion de la Qualité mondialement reconnu ISO 9001 : 2015.

Les produits **Napoléon** sont conçus avec des composants et des matériaux de qualité supérieure, assemblés par des artisans qualifiés qui sont fiers de leur travail. Une fois assemblé, chaque appareil est soigneusement inspecté par un technicien, une agence de service, ou un distributeur qualifié(e) ou autorisé(e) avant d'être emballé pour garantir que vous, le client, recevez le produit de qualité dont vous vous attendez de **Napoléon**.

## Garantie Prime Des Appareils Électriques Napoléon

Les composants électriques et les pièces soumises à l'usure sont couverts et **Napoléon** fournira gratuitement les pièces de rechange durant les première 2 années de la garantie prime. Ceci couvre: le ventilateur/l'appareil de chauffage, les moteurs, les interrupteurs, les roulements à billes en nylon, les télécommandes et les lumières de DEL.

Les ampoules et fusibles NE SONT PAS couvert par la garantie.

Dans la première année seulement, les coûts de main-d'oeuvre relatifs aux réparations garanties sont couverts.

\* La fabrication de chaque modèle varie. La garantie s'applique uniquement aux composants disponibles avec votre appareil spécifique.

## Conditions et Limitations

**Napoléon** garantit ses produits contre les défauts de fabrication à l'acheteur d'origine seulement. L'enregistrement de la garantie n'est pas nécessaire. Fournissez simplement une preuve d'achat ainsi que le modèle et le numéro de série afin d'effectuer une réclamation de garantie. L'achat doit avoir été fait par l'entremise d'un détaillant **Napoléon** autorisé et sous réserve des conditions et limitations suivantes:

La couverture de la garantie débute à partir de la date d'installation originale.

Cette garantie du fabricant n'est pas transférable et ne peut être prolongée par aucun de nos représentants.

L'installation doit être faite conformément aux instructions d'installation incluses avec le produit et à tous les codes d'incendie et de construction locaux et nationaux.

Cette garantie prime ne couvre pas les dommages causés par un mauvais usage, un manque d'entretien, un accident, des altérations, des abus, ou de la négligence, et l'installation de pièces d'autres fabricants annulera cette garantie.

Cette garantie prime ne couvre pas non plus les égratignures, les bossellements, la corrosion, ou la décoloration causée par une chaleur excessive, des produits d'entretien chimiques et abrasifs ou l'écaillage de pièces en porcelaine émaillée, le bris par manipulation des bûches PHAZER<sup>MD</sup>.

Au cours de les première 2 années seulement, cette garantie s'étend à la réparation ou au remplacement des pièces garanties dont les matériaux ou la fabrication sont défectueux à la condition que le produit ait été utilisé conformément aux instructions de fonctionnement et dans des conditions normales.

Après la première année, **Napoléon** ne sera pas responsable de l'installation, de la main d'œuvre, ou autres coûts ou dépenses relatives à la réinstallation d'une pièce garantie, et de telles dépenses ne sont pas couvertes par cette garantie.

Nonobstant toutes les dispositions contenues dans cette garantie limitée, la responsabilité de **Napoléon** sous cette garantie est définie comme ci-dessus, et elle ne s'étendra à aucun dommage accidentel, consécutif, ou indirect.

Cette garantie définit l'obligation et la responsabilité de **Napoléon** en ce qui concerne l'appareil électrique **Napoléon**.

Toute autre garantie énoncée ou implicite en ce qui concerne ce produit, ses composants ou accessoires est exclue.

**Napoléon** n'endosse, ni n'autorise aucun tiers à assumer en son nom, toutes autres responsabilités concernant la vente de ce produit.

Tous dommages causés à l'appareil, aux garnitures en laiton ou autres composants par l'eau, les dommages causés par les intempéries, de longues périodes d'humidité, la condensation, des produits chimiques, ou produits d'entretien nuisibles ne seront pas la responsabilité de **Napoléon**.

**Napoléon** se réserve le droit de demander à son représentant d'inspecter tout produit ou pièce avant d'honorer toute réclamation.

Toutes les pièces remplacées en vertu de la politique de la Garantie Prime ne peuvent faire l'objet que d'une seule réclamation.

Toutes les pièces remplacées au titre de la garantie seront couvertes pour une période de 90 jours à partir de leur date d'installation.

Le fabricant peut exiger que les pièces défectueuses ou les produits soient retournés ou que des photos numériques soient fournies pour valider la réclamation. Les produits retournés doivent être expédiés port payé au fabricant pour une inspection en usine. Si un produit est déclaré défectueux, le fabricant le réparera ou le remplacera.

Avant d'expédier votre appareil ou les pièces défectueuses, votre détaillant doit obtenir un numéro d'autorisation. Toute marchandise expédiée à notre usine sans autorisation sera refusée et retournée à l'expéditeur.

Les coûts d'expédition ne sont pas couverts par cette garantie.

Des frais de service supplémentaires peuvent être appliqués si vous cherchez à obtenir des services au titre de la garantie auprès d'un détaillant.

Toutes les spécifications et les conceptions sont sujettes à modifications sans préavis en raison des améliorations constantes apportées aux produits. **Napoléon** est une marque de commerce déposée de Wolf Steel Ltée.



# notes

FR

A series of 30 horizontal lines spaced evenly down the page, providing a template for taking notes.



# NAPOLÉON CÉLÈBRE PLUS DE 40 ANS D'EXISTENCE CONSCRÉS À LA CONCEPTION DE PRODUITS DE CONFORT



7200, Route Transcanadienne, Montréal, Québec H4T 1A3  
24 Napoleon Road, Barrie, Ontario, Canada L4M 0G8  
214 Bayview Drive, Barrie, Ontario, Canada L4N 4Y8  
103 Miller Drive, Crittenden, Kentucky, USA 41030  
De Riemsdijk 22, 4004 LC Tiel, Pays-Bas

Téléphone: 1-866-820-8686  
[napoleon.com](http://napoleon.com)