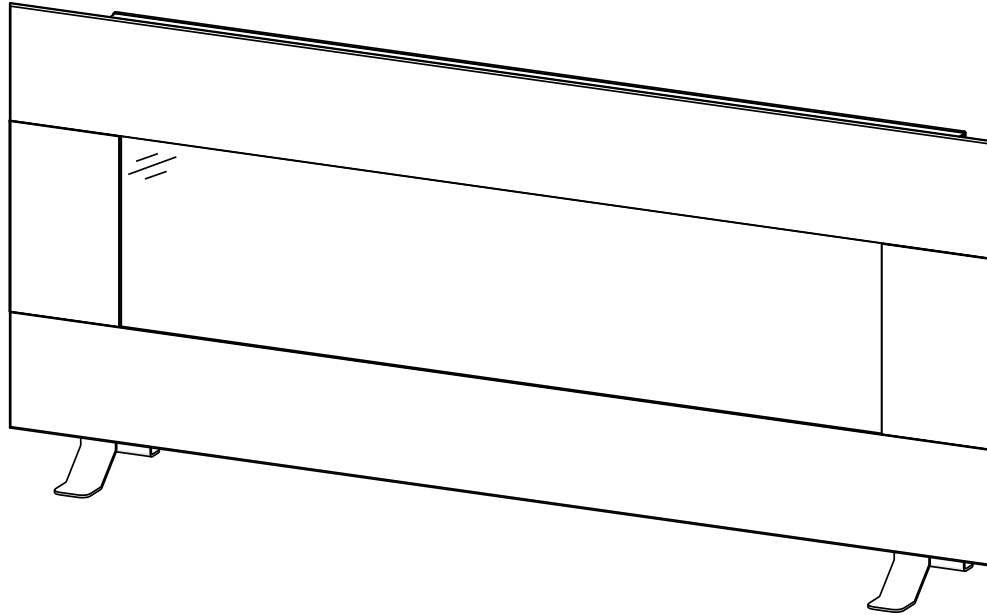




INSTALLATION AND OPERATION MANUAL

Wallmount Electric Appliance NEFL50HF-BT Illustrated with Metal Feet



SAFETY INFORMATION

! WARNING

FIRE OR EXPLOSION HAZARD

If the information in these instructions are not followed exactly, a fire or explosion may result causing property damage, personal injury, or loss of life.

- Do not store or use gasoline or other flammable vapors and liquids in the vicinity of this or any other appliance.

INSTALLER:

Leave this manual with the appliance

CONSUMER:

Retain this manual for future reference



This appliance has a remote that requires button batteries that are hazardous to young children.

FOR INDOOR USE ONLY

**CERTIFIED TO THE CANADIAN AND AMERICAN NATIONAL STANDARDS:
CSA 22.2 NO. 46 / UL 2021 + UL 1278**



Wolf Steel Ltd., 24 Napoleon Rd., Barrie, ON, L4M 0G8 Canada / 103 Miller Drive, Crittenden, Kentucky, USA, 41030
Phone 1 (866) 820-8686 • www.napoleon.com • hearth@napoleon.com

! WARNING

- **If equipped with a heater, this appliance can be hot when operated and can cause severe burns if contacted.**
- Do not operate appliance before reading and understanding operating instructions. Failure to operate appliance according to operating instructions could cause fire or injury.
- Do not install damaged, incomplete or substitute components.
- Do not burn wood or other materials in this appliance.
- All electric appliances have hot and arcing or sparking parts inside. Do not use it in areas where a gas line, paint or flammable liquids are present.
- Any safety screen or guard removed for servicing must be replaced prior to operating the appliance.
- It is imperative that the control compartments, circulating blower and its passageway in the appliance are kept clean. The appliance should be inspected before use and at least annually by a qualified service person. More frequent cleaning may be required due to excessive lint from carpeting, bedding material, etc. The appliance area must be kept clear and free from combustible materials, gasoline and other flammable vapors and liquids.
- Under no circumstances should this appliance be modified.
- Do not use this appliance if any part has been under water. Immediately call a qualified service technician to inspect the appliance and to replace any part of the control system which has been under water.
- If equipped with a glass door, do not operate the appliance with the glass door removed, cracked or broken. Replacement of the glass should be done by a licensed or qualified service person. Do not strike or slam shut the appliance glass door.
- Keep the packaging material out of reach of children and dispose of the material in a safe manner. As with all plastic bags, these are not toys and should be kept away from children and infants.
- Servicing should be done only while the appliance is disconnected from the power supply circuit.
- Always unplug appliance when not in use.
- Do not operate this appliance with a damaged cord or plug after the appliance malfunctions, has been dropped or damaged in any manner. Return appliance to authorized service facility for examination, electrical or mechanical adjustment, or repair.
- Do not use outdoors.
- When installing this appliance in a room where water is present, the installation must comply with codes recognizing the increased hazard of electrical shock and electrocution.

note:

This appliance is NOT suitable for installation in a bathroom.

- Do not run cord under carpeting. Do not cover cord with throw rugs, runners, or the like. Arrange cord away from traffic area and where it will not be tripped over.
- Connect to properly grounded outlets only.
- Do not insert or allow foreign objects to enter any ventilation or exhaust opening as this may cause an electric shock or fire, or damage the appliance.
- It is normal for your electric appliance to produce noise, especially when installed in a quiet space such as a bedroom.

! WARNING

- To prevent a possible fire, do not block air intakes or exhaust in any manner. Do not use on soft surfaces, like a carpet, where openings may become blocked.
- Always plug appliances directly into a wall outlet/receptacle. Never use an extension cord or relocatable power tap (outlet/power strip).
- These appliances are tested and listed for use only with the optional accessories listed in these instructions. Use of optional accessories not specifically tested for this appliance could void the warranty and/or result in a safety hazard.

For appliances equipped with a heater:

- Risk of burns. Power to the appliance should be turned off and the appliance allowed to cool before servicing. To disconnect power to the appliance, turn controls to off, then remove plug from outlet.
- Young children should be carefully supervised when they are in the same room as the appliance. Toddlers, young children and others may be susceptible to accidental contact burns. A physical barrier is recommended if there are at risk individuals in the house. To restrict access to an appliance or stove, install an adjustable safety gate to keep toddlers, young children and other at risk individuals out of the room and away from hot surfaces.
- Clothing or other flammable material should not be placed on or near the appliance.
- Due to high temperatures, the appliance should be located out of traffic and away from furniture and draperies.
- Ensure you have incorporated adequate safety measure to protect infants/toddlers from touching hot surfaces.
- Even after the appliance is off, the glass and/or screen will remain hot for an extended period of time.
- Check with your local hearth specialty dealer for safety screens and hearth guards to protect children from hot surfaces. These screens and guards must be fastened to the floor.
- Ensure clearances to combustibles are maintained when building a mantel or shelves above the appliance. Elevated temperatures on the wall or in the air above the appliance can cause melting, discolouration or damage to decorations, a TV or other electronic components.

! WARNING: This product can expose you to chemicals including lead and lead compounds, which are known to the State of California to cause cancer, and chemicals including BBP and DEHP, which are known to the State of California to cause birth defects or other reproductive harm. For more information, go to www.P65Warnings.ca.gov.

1.0	general information	5
1.1	dimensions	5
1.2	rating plate information	6
1.3	product information	6
1.4	general instructions	7
1.5	unpacking and testing the appliance	8
1.6	hardware list	8
2.0	appliance placement	9
2.1	grounding appliance	9
3.0	installation	10
3.1	minimum clearance to combustibles	10
3.2	installing the appliance	11
3.2.1	wall mount installation	11
3.2.2	framing	12
3.3.1	recessed installation	13
3.3	metal feet installation	13
4.0	electrical information	14
4.1	hard-wiring installation	14
4.2	wiring diagram for NEFL50HF-BT	15
4.3	wiring diagram for NEFL60/72HF-BT	16
5.0	finishing	17
5.1	front surround removal / installation	17
5.1.1	front surround installation for recessed installation	17
5.2	glass removal / installation	18
5.3	crystal media / fireglass media installation	18
6.0	operating instructions	19
6.1	operating control panel and remote control	19
6.2	Bluetooth speaker connection	21
6.3	remote battery installation	21
6.4	temperature limiting control	22
7.0	maintenance	22
7.1	cleaning	22
8.0	replacement parts	23
8.1	NEFL50HF-BT overview	24
8.2	NEFL60HF-BT overview	25
8.3	NEFL72HF-BT overview	26
9.0	troubleshooting	27
10.0	warranty	28

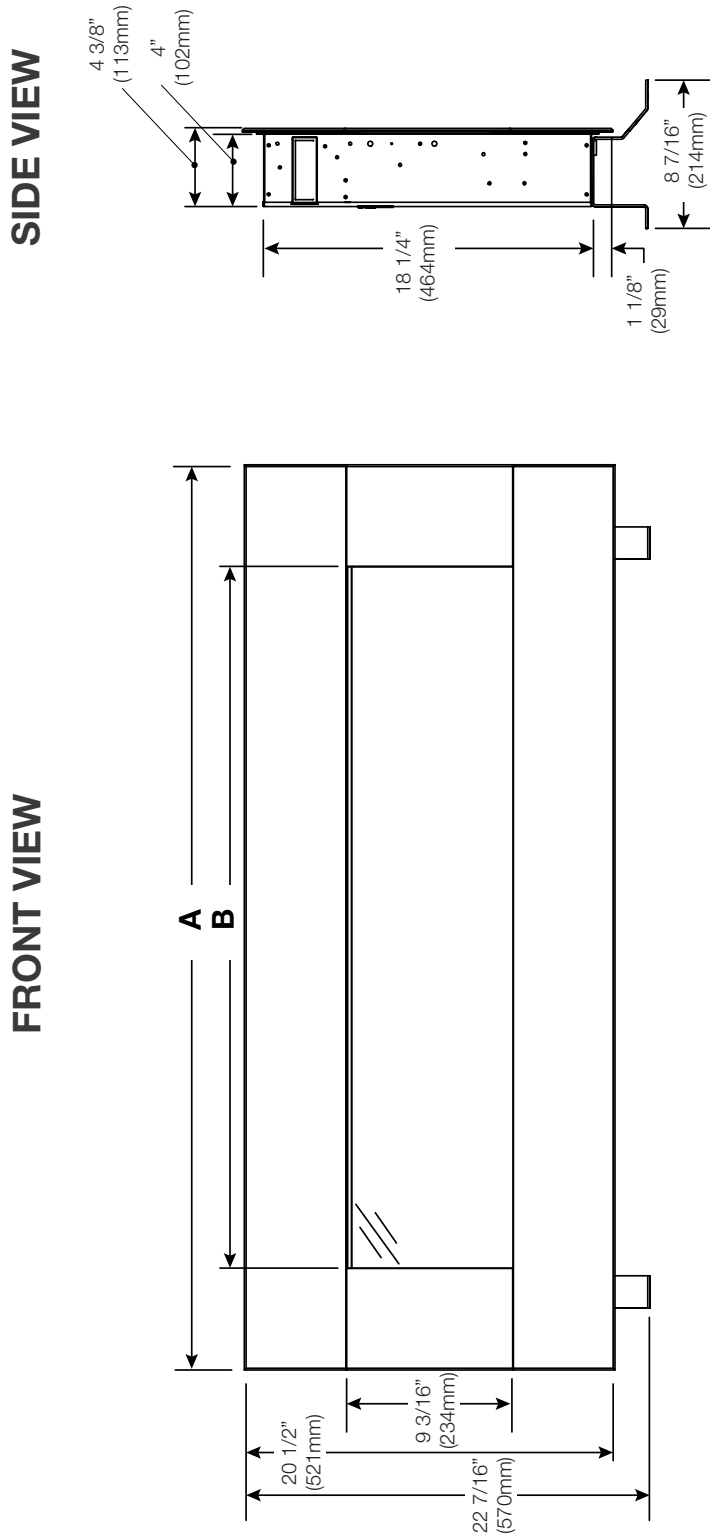


Batteries must be disposed of according to the local laws and regulations. Some batteries may be recycled, and may be accepted for disposal at your local recycling center. Check with your municipality for recycling instructions.

note:

The information throughout this manual is believed to be correct at the time of printing. Wolf Steel Ltd. reserves the right to change or modify any information within this manual at any time without notice. Changes, other than editorial, are denoted by a vertical line in the margin.

1.1 dimensions



Ref.	NEFL50HF-BT	NEFL60HF-BT	NEFL72HF-BT
A	50" (1270mm)	60" (1524mm)	72" (1829mm)
B	38 3/4" (984mm)	48 3/4" (1238mm)	60 11/16" (1541mm)
C	43 3/8" (1102mm)	53 5/16" (1354mm)	65 5/16" (1659mm)

general information

1.2 rating plate information

The below illustration is for reference only. Refer to the appliance rating plate for accurate information.

CERTIFIED UNDER CANADIAN AND AMERICAN NATIONAL STANDARD: CSA 22.2 NO. 46, UL 2021 & UL 1278 / HOMOLOGUÉ SELON LES NORMES NATIONALES CANADIENNES ET AMÉRICAINES: CSA 22.2 NO. 46, UL 2021 & UL1278	
ELECTRIC FIREPLACE. SUITABLE FOR BEDROOM AND BED-SITTING ROOM INSTALLATION.	FOYER ÉLECTRIQUE. HOMOLOGUÉ POUR INSTALLATION DANS UNE CHAMBRE À COUCHER, UNE SALE DE BAIN, ET UN STUDIO.
MASTER CONTRACT: 600407	CONTRAT-CADRE: 600407
<input type="checkbox"/> NEFL50HF-BT	<input type="checkbox"/> CEFL50HF-BT
<input type="checkbox"/> NEFL60HF-BT	<input type="checkbox"/> CEFL60HF-BT
<input type="checkbox"/> NEFL72HF-BT	<input type="checkbox"/> CEFL72HF-BT
VOLTAGE: 120VAC	TENSION: 120VAC
FREQUENCY: 60Hz	FRÉQUENCE: 60Hz
POWER: 1500W	PUISSANCE: 1500W
DATE CODE:	CODE DE DATE:
DESIGNED IN NORTH AMERICA BY WOLF STEEL LTD.	DÉSIGNÉ AMÉRIQUE DU NORD PAR WOLF STEEL LTD.
MADE IN CHINA	FABRIQUÉ EN CHINE
WOLF STEEL LTD. 24 NAPOLEON ROAD, BARRIE, ON, L4M 068, CANADA	SERIAL NUMBER/NO. DE SÉRIE: NEFLXXHF
	W385-2374 / C

note:

The rating plate must remain with the appliance at all times. It must not be removed.

1.3 product information

This appliance has been tested in accordance with the CSA Standards for fixed, location-dedicated and movable electric room appliances in the United States and Canada. If you need assistance during installation, please contact your local dealer.

note:

This appliance must be electrically wired and grounded in accordance with local codes or, in the absence of local codes, with National Electric Code ANSI/NFPA 70-latest edition in the United States or the Canadian Electric Code, CSA C22.1 in Canada

Model Number	NEFL50HF-BT	NEFL60HF-BT	NEFL72HF-BT
Description	Wall-mount appliance with optional metal feet		
Voltage	120V AC		
Watts	Max 1500W		
Amps	Dedicated 15 AMP Grounded Circuit		
Appliance Width	50" (1270mm)	60" (1524mm)	72" (1829mm)
Appliance Height	20 1/2" (521mm) without metal feet		
Appliance Depth	4 3/8" (113mm) without metal feet		

1.4 general instructions

WARNING

- Read these instructions completely before beginning installation. Failure to follow them could cause an appliance malfunction resulting in serious injury and/or property damage.
- All electric appliances have hot and arcing or sparking parts inside. Do not use it in areas where gasoline, paint, or flammable liquids are present.
- This electric appliance is tested and listed for use only with the optional accessories listed in these instructions. Use of optional accessories not specifically tested for this electric appliance could void the warranty and/or result in a safety hazard.
- Do not open. Risk of electric shock. No user-serviceable parts inside.
- Do not use damaged electrical cords.
- Servicing should be done only while the appliance is disconnected from the power supply circuit.
- To prevent electric shock, match the wide blade of plug to wide slot of receptacle and fully insert.

- Prior to plugging your appliance into an electrical outlet, verify that the house circuit breakers for the outlet are on.
- The appliance may emit a slight, harmless odour when first used. This odour is normal and it is caused by the initial heating of internal appliance elements and will not occur again.
- If your appliance does not emit heat when called for, consult the “operation” section of this manual for further information.
- Use with a CSA or UL certified surge protector.
- Do not route the power cord directly underneath the appliance.

This electric appliance meets the construction and safety standards of H.U.D. for application in manufactured homes when installed according to these instructions.

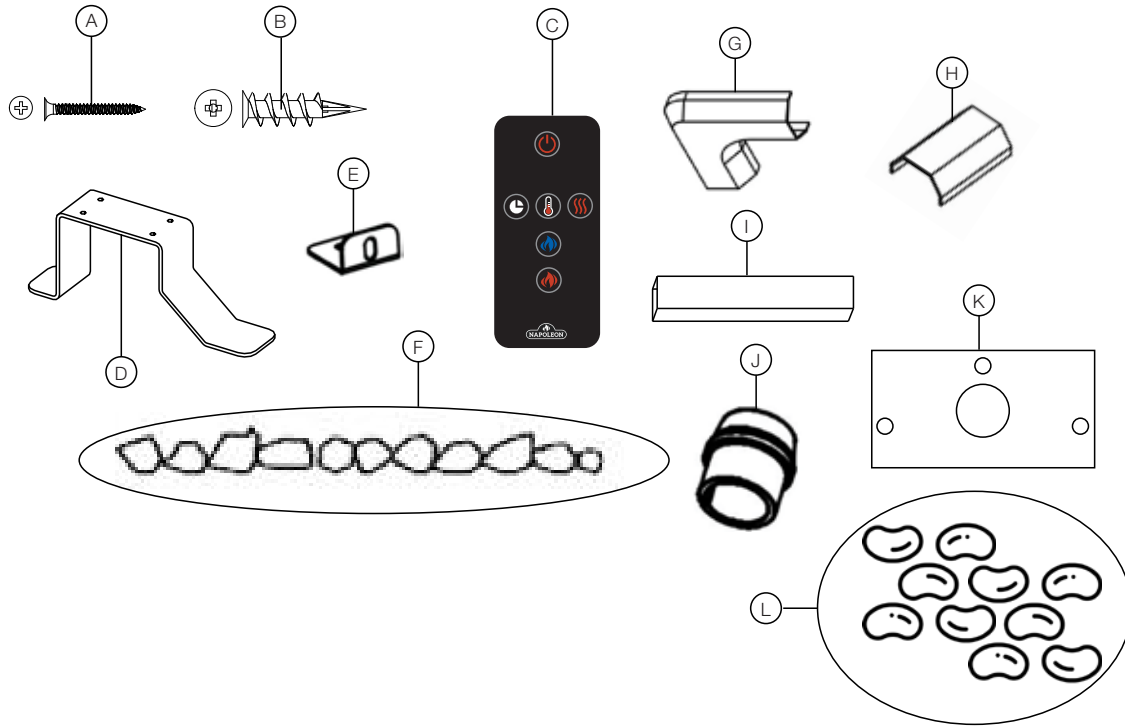
As with most electronic devices, your new electric appliance has been designed to operate at temperatures between 5°C (41°F) and 35° C (95°F). During the colder winter months, allow the appliance to reach room temperature before turning it on.

general information

1.5 unpacking and testing the appliance

Carefully remove the appliance from the box and remove the support brackets. Prior to installing the appliance, remove all packaging material and test to make sure the appliance operates properly by plugging the power supply cord into a conveniently located 120V, 15 Amp minimum grounded outlet.

1.6 hardware list



Ref.	Description	Quantity		
		NEFL50HF-BT	NEFL60HF-BT	NEFL72HF-BT
A	Wood screw		7	
B	Drywall anchor		7	
C	Remote control		1	
D	Metal foot		2	
E	L-bracket		1	
F	Decorative crystal (bag)	1	1	2
G	Cord corner		2	
H	Straight cord cover connector		2	
I	Cord cover		2	
J	Strain relief		1	
K	Cover plate		1	
L	Fireglass media (bag)		1	

note:

Only hardware supplied with the appliance will be illustrated.

! WARNING

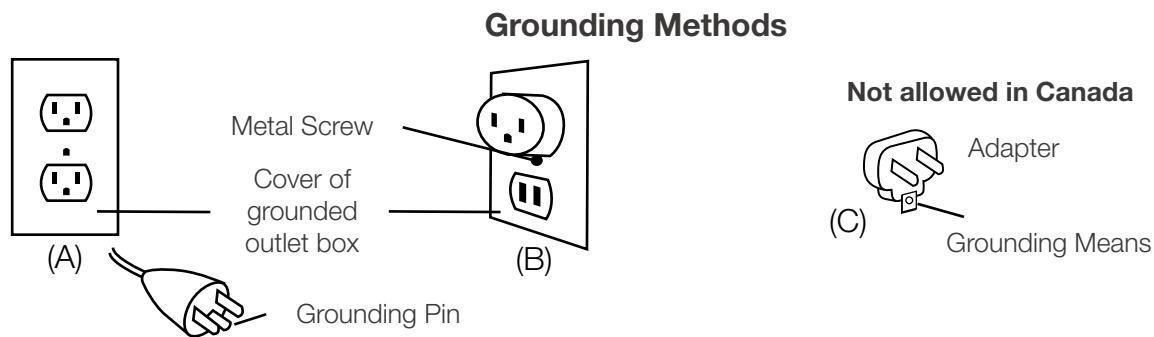
- Due to high temperatures, this electric appliance should be located out of traffic. Keep combustible materials such as furniture, pillows, bedding, papers, clothes, and curtains at least 36" from the front of the appliance.
- Never located this electric appliance where it may fall into a bathtub or other water container.
- Wear safety gloves, safety glasses, and safety footwear for protection during installation and maintenance.
- To prevent contact with sagging or loose insulation, the electric appliance must not be installed against vapor barrier or exposed insulation. Localized overheating could occur and a fire could result.
- Do not expose the electric appliance to the elements (such as rain, etc.)

2.1 grounding appliance

This appliance is for use on 120 volts. The cord has a plug as shown in (A). An adapter as shown in (C) is available for connecting three-blade grounding type plugs to two-slot receptacles, as shown in (B).

The green grounding plug extending from the adapter must be connected to a permanent ground such as a properly grounded outlet box. The adapter should not be used if a three-slot grounded receptacle is available.

To disconnect appliance, turn controls to off, then remove plug from outlet.



note:

The appliance must be connected to a dedicated 15 amp circuit. The use of an extension cord is NOT permitted.

3.0 installation

! WARNING

- Risk of fire! The power cord must not be pinched against a sharp edge. Secure cord to avoid tripping or snagging to reduce the risk of fire, electric shock, or personal injury. Do not run cord under carpeting. Do not cover cord with throw rugs, runners, or similar items. Arrange cord away from traffic areas and where it will not be tripped over.
- Risk of fire! To prevent a possible fire, do not block air intake or exhaust in any manner. Do not use on soft surfaces where openings may become blocked.
- Risk of fire! Do not blow or place insulation against the appliance.
- This electric appliance is tested and listed for use only with the approved optional accessories. Use of optional accessories not specifically tested for this electric appliance could void the warranty and/or result in a safety hazard.
- If the information in these instructions is not followed exactly, a fire or explosion may result causing property damage, personal injury, or death. Do not store or use gasoline or other flammable vapors in the vicinity of this or any other appliance.
- This appliance is heavy. It is highly recommended that two people install this appliance.
- If your appliance is equipped with a heater, ensure the heater vents cannot, in any way, be covered as it may create a fire hazard.
- Do not run the power cord horizontally, directly below the appliance.

Your NEFL50/60/72HF-BT can be wall-mounted, recessed, or installed with metal feet. Select a suitable location that is not susceptible to moisture and is away from drapes, furniture, and high traffic areas.

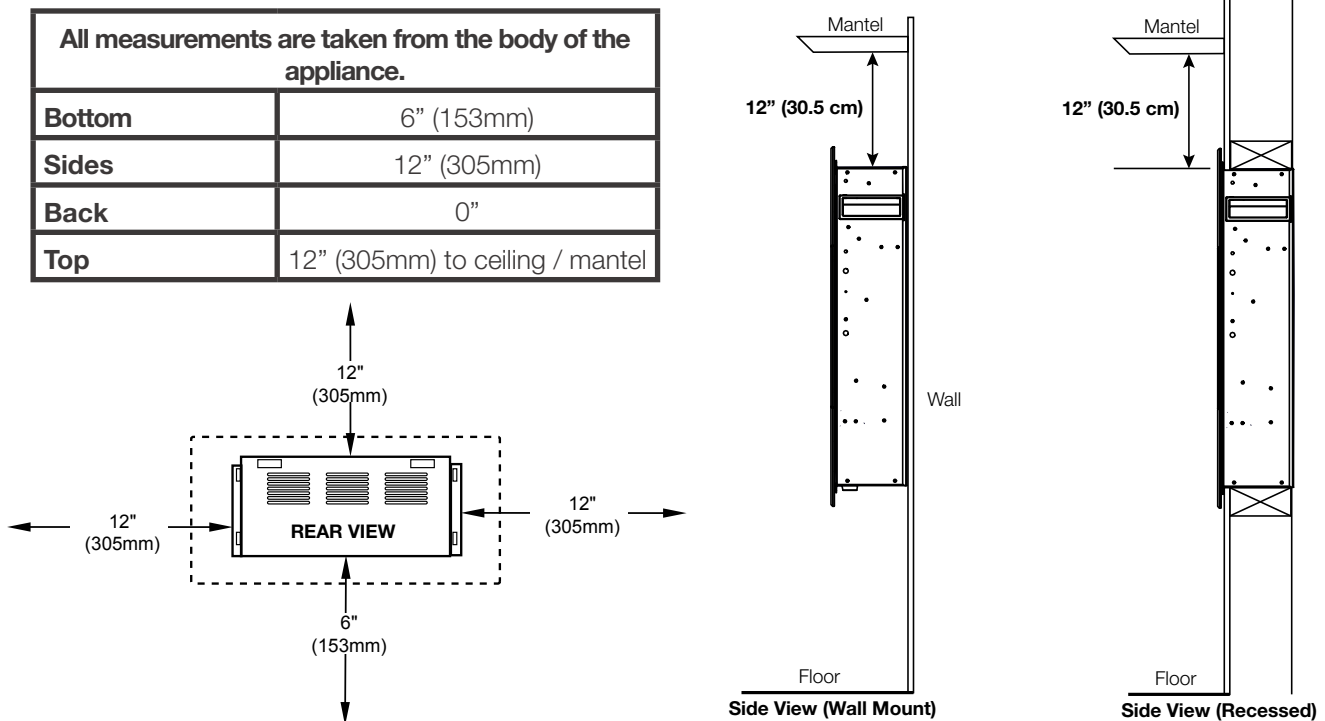
note:

Follow all national and local electrical codes.

3.1 minimum clearance to combustibles

! WARNING

- Always unplug this appliance heater before assembly, cleaning, or before relocating. Failure to do so could result in electric shock, fire, or personal injury.



3.2 installing the appliance

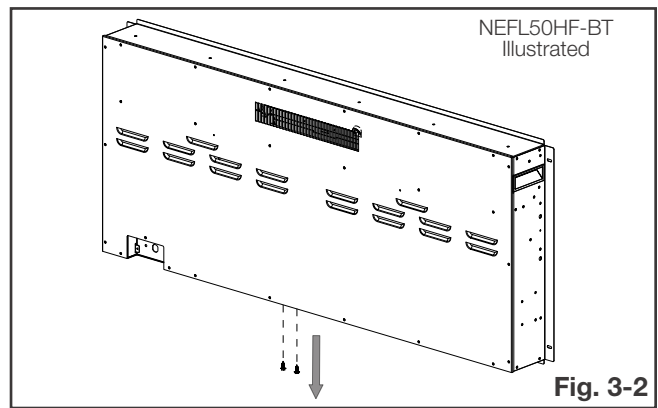
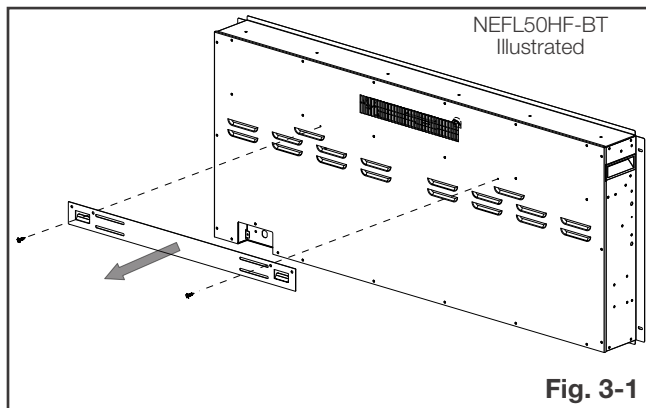
3.2.1 wall mount installation

note:

The wall mounting bracket is fixed on the back of the appliance.

Due to the many different materials used on different walls, it is highly recommended that you consult your local builder before you install this appliance on the wall.

- A. Select a location that is not prone to moisture and is located at least 3 feet (1m) away from combustible materials such as curtain drapes, furniture, bedding, paper, etc.
- B. Remove the front surround (see “front surround removal / installation” section).
- C. Have two people hold the appliance against the wall to determine the final location.
- D. Place the appliance face down on a soft, non-abrasive surface. Remove the wall mounting bracket from the back of the appliance by removing the two screws (**Fig. 3-1**). Set the bracket aside and discard the screws.
- E. Remove the two screws at the bottom of the appliance (**Fig. 3-2**). Set the screws aside.

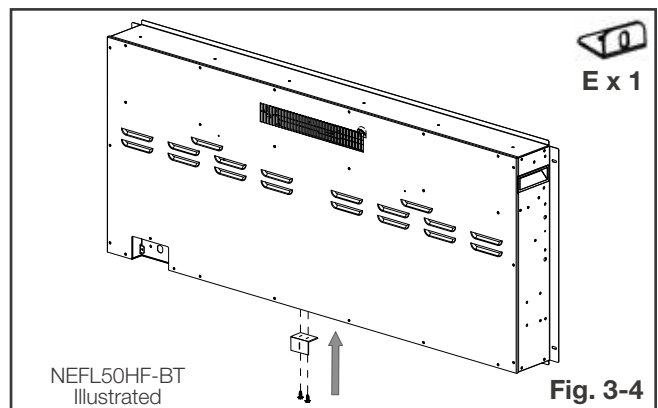
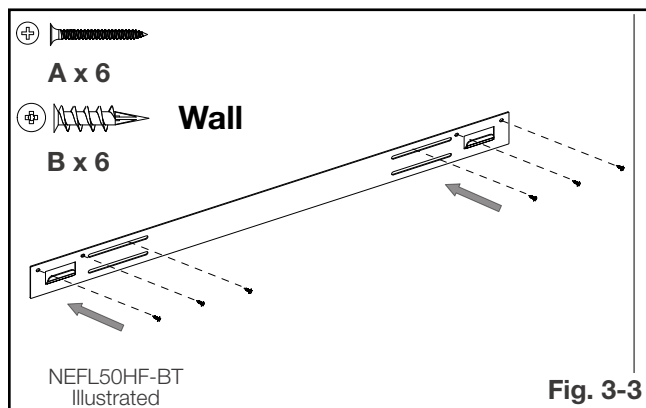


- F. Mark out the location, then mount the wall mounting bracket onto the wall using screws (supplied) (**Fig. 3-3**). This bracket **MUST** have the hooks facing upwards and be level.

note:

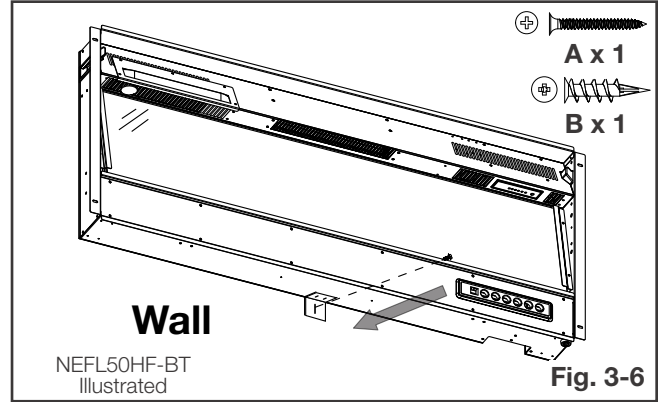
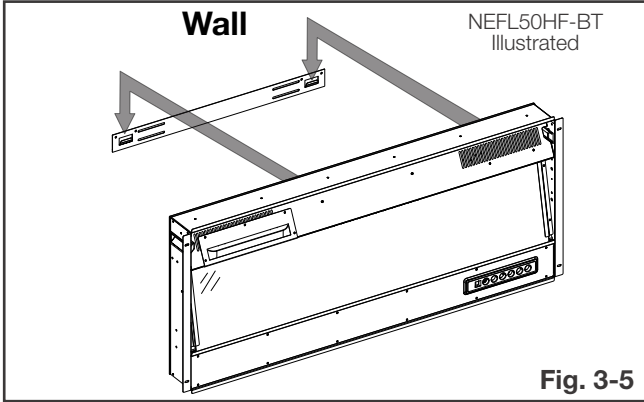
It is strongly recommended that the wall mounting bracket be screwed into the wall studs where possible. If the wall studs cannot be used, ensure that the supplied plastic anchors are used to affix the bracket to the wall and that the bracket is adequately secured.

- G. Using the two screws previously removed in step E, attach the L-bracket (supplied) to the bottom of the appliance (**Fig. 3-4**).

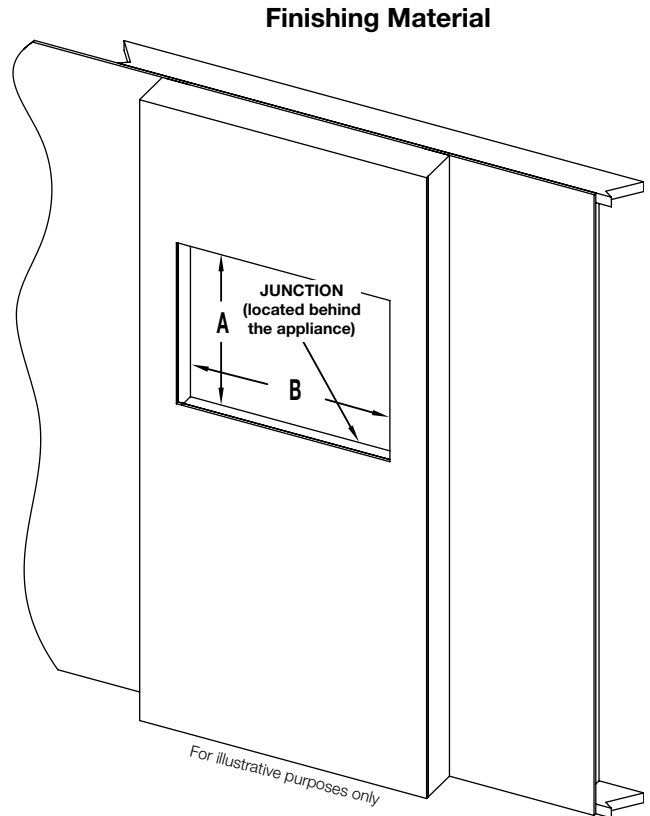
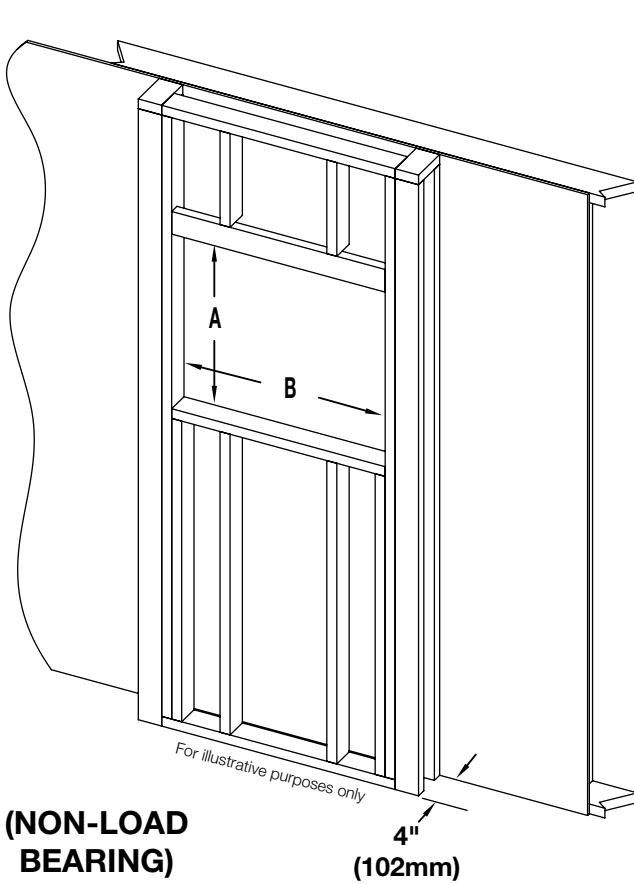


Installation

- H. With the mounting bracket installed, have two people lift the appliance up and insert the two hooks on the bracket into the two slots on the back of the appliance (**Fig. 3-5**).
- I. Check the appliance for stability, ensuring that the bracket will not pull free from the wall.
- J. Install the wood screws into the hole of the L-bracket into the wall to secure the appliance from coming off the hooks (**Fig. 3-6**).
- K. Install media (see “finishing” section).
- L. Reinstall the front surround.



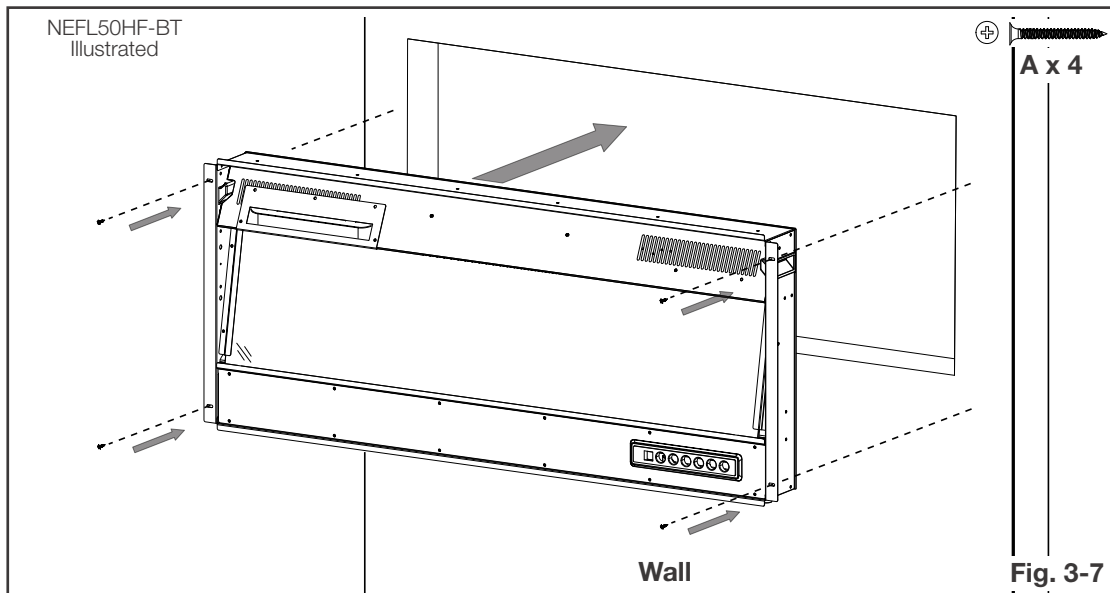
3.2.2 framing



	A	B
NEFL50HF-BT	19" (48.3cm)	43 7/8" (111.4cm)
NEFL60HF-BT		53 13/16" (136.7cm)
NEFL72HF-BT		65 13/16" (167.2cm)

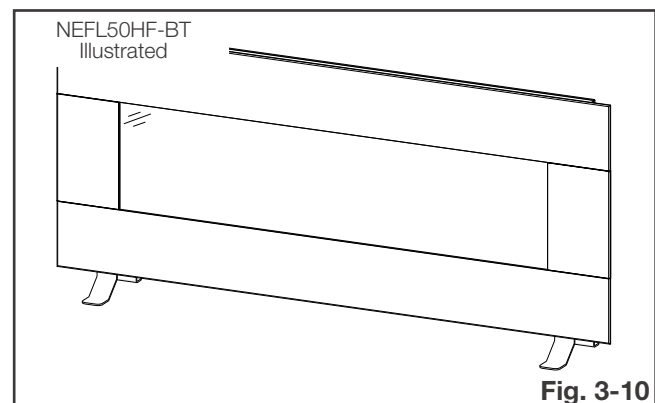
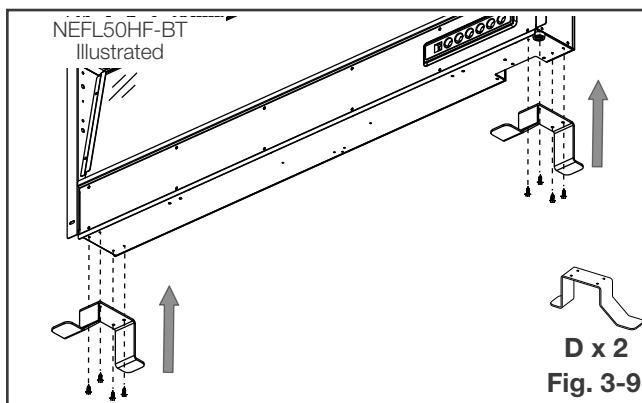
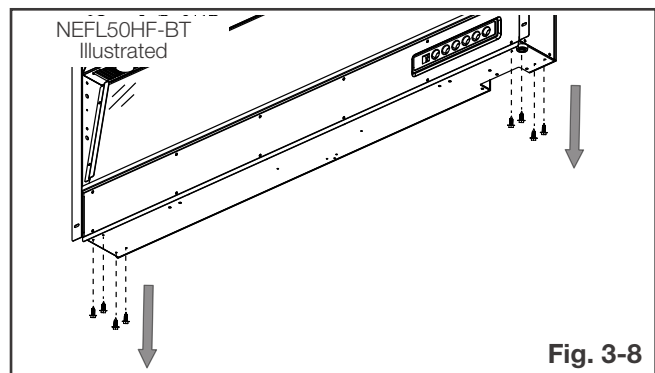
3.3.1 recessed installation

- A. Create an opening for the appliance (see “framing” section for details).
- B. Remove the front surround (see “front surround removal / installation” section).
- C. Remove the cord from the appliance (see “hardwiring installation” section).
- D. Insert the appliance into the opening and complete hard wiring installation (see “hardwiring installation” section).
- E. Securing the appliance in place using four screws (supplied) (**Fig. 3-7**).
- F. Install media (see “finishing” section).
- G. Re-install the front surround.



3.3 metal feet installation

- A. Remove the front surround (see “front surround removal / installation” section).
- B. Remove the eight screws from the bottom of the appliance (**Fig. 3-8**).
- C. Install the metal feet using the eight screws previously removed in Step B (**Fig. 3-9**).
- D. Check if the feet are secured properly. Ensure the appliance is standing straight and still.
- E. Install media (see “finishing” section).
- F. Reinstall the front surround (**Fig. 3-10**).



4.0 electrical information

4.1 hard-wiring installation

! WARNING

- Turn off the appliance and let cool completely before servicing. Only a qualified service person should service and/or repair this electric appliance.

HARD-WIRING CONNECTION

If it is necessary to hard-wire this appliance, a qualified electrician must remove the cord connection and wire the appliance directly to the household wiring. The wire and power supply breaker must be rated for 120V, minimum 15 amps.

This appliance must be electrically connected and grounded in accordance with local codes, if hard-wired. In the absence of local codes, use the current CSA C22.1 Canadian Electrical Code in Canada or the current ANSI/NFPA 70 National Electrical Code in the United States.

- Remove the cover plate from the bottom right side of the appliance by removing the three screws (**Fig. 4-1**).
- Remove the wire connectors from the power cord (**Fig. 4-2**). Discard power cord.

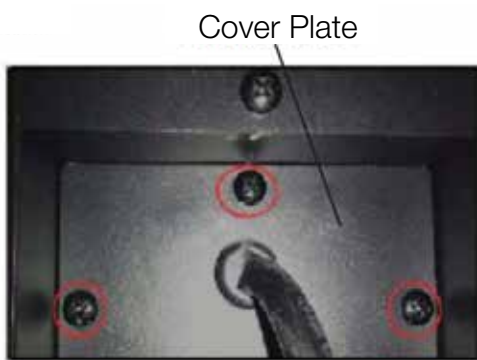


Fig. 4-1



Fig. 4-2

- Install the strain relief (supplied) into the new cover plate (**Fig. 4-3**). Feed wires through the strain relief.
- Using the wire connectors, connect the ground green wires (G) and the common white wires (N) together, then connect the hot black wires (L) (**Fig. 4-4**).
- Install the new cover plate using the three screws previously removed in step 1.

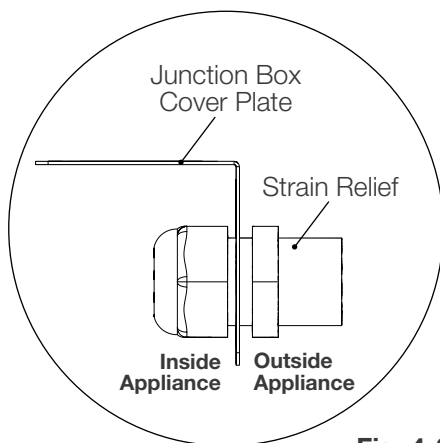


Fig. 4-3

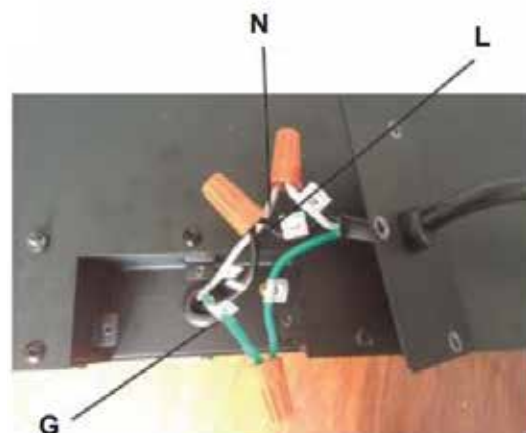
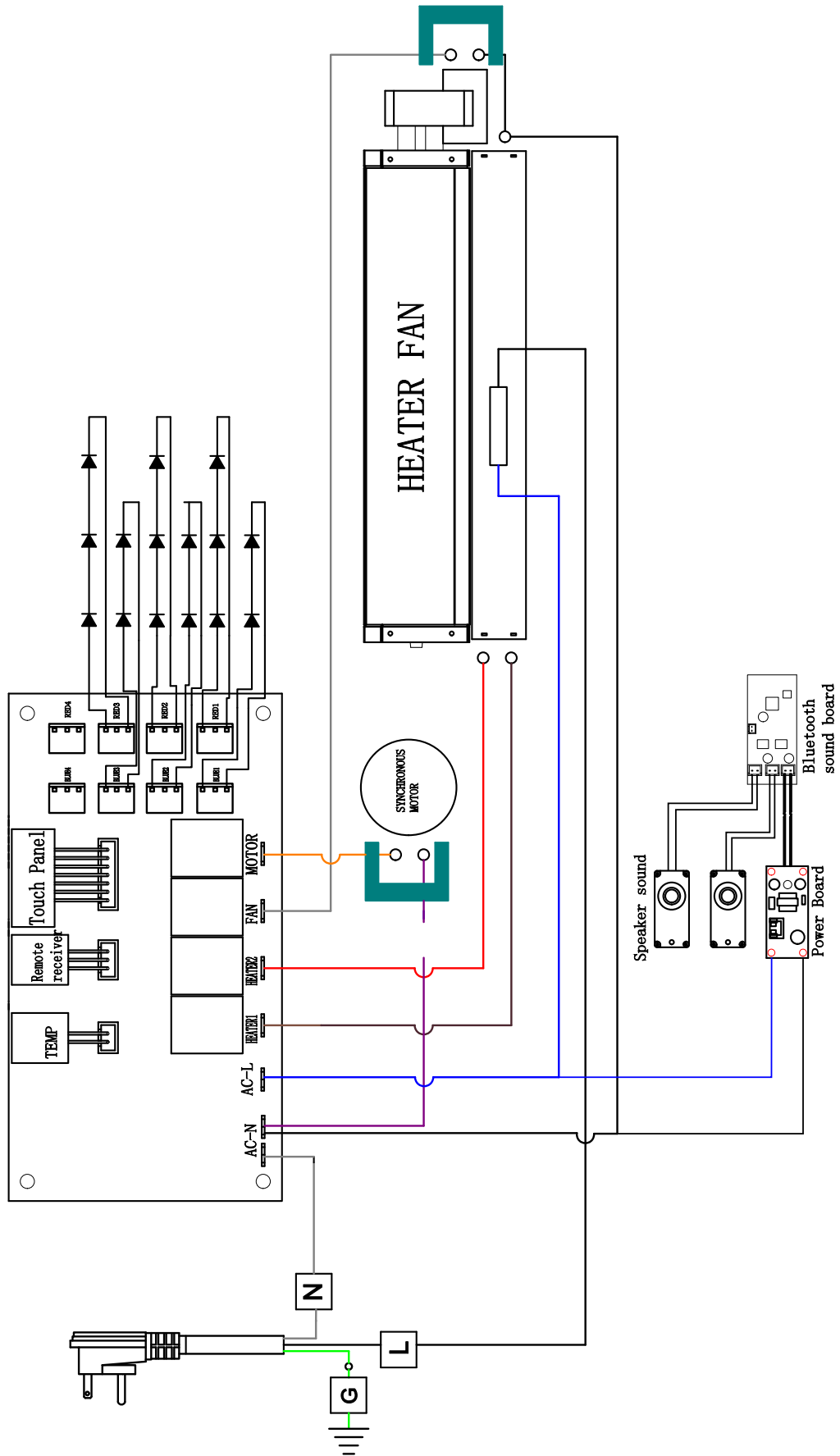
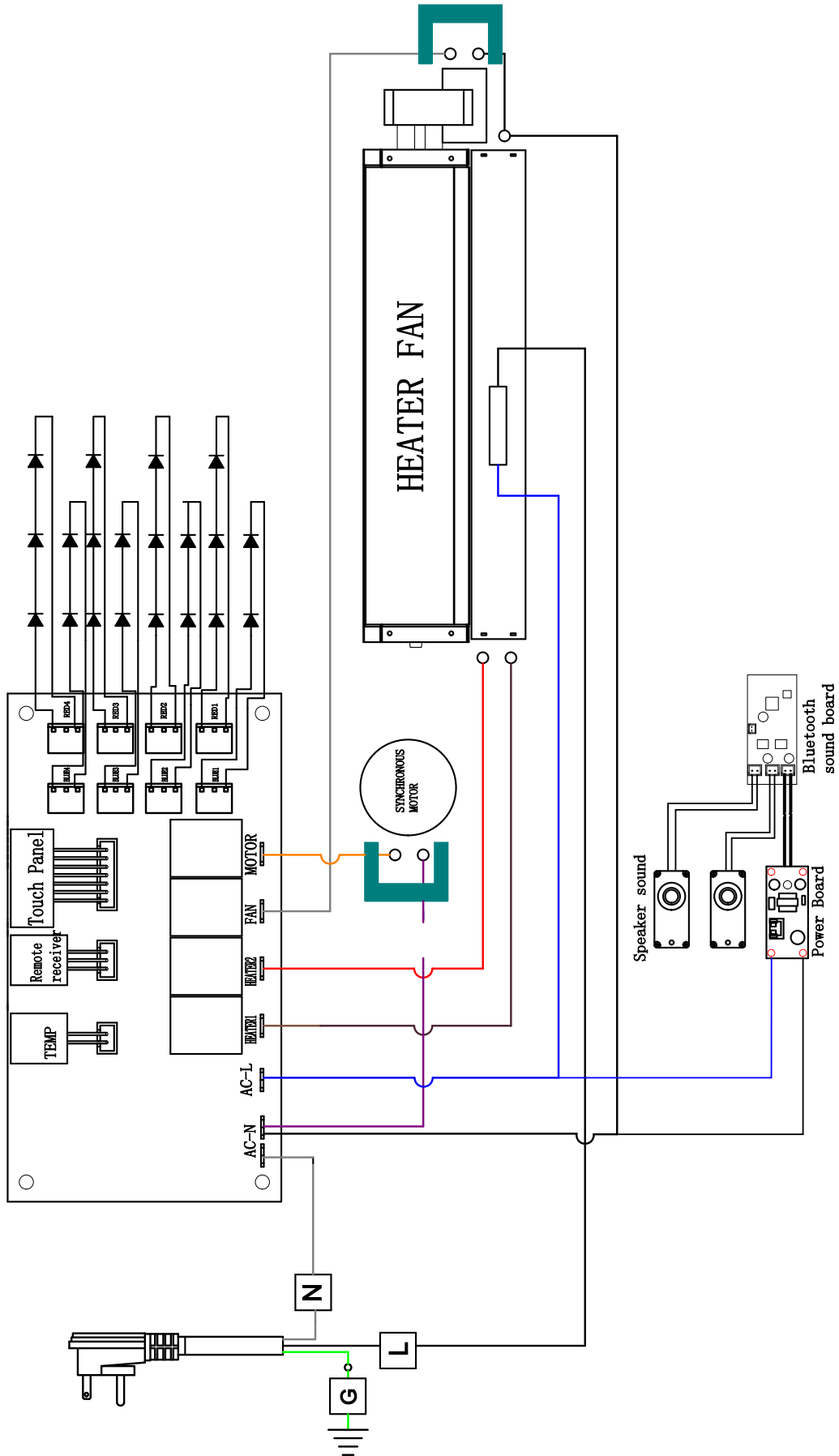


Fig. 4-4

4.2 wiring diagram for NEFL50HF-BT



4.3 wiring diagram for NEFL60/72HF-BT

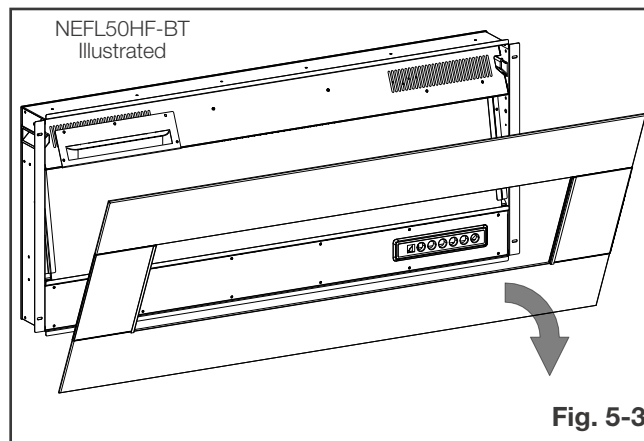
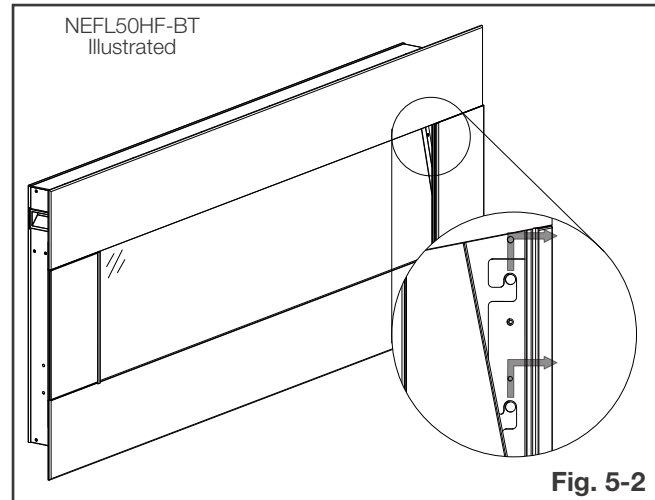
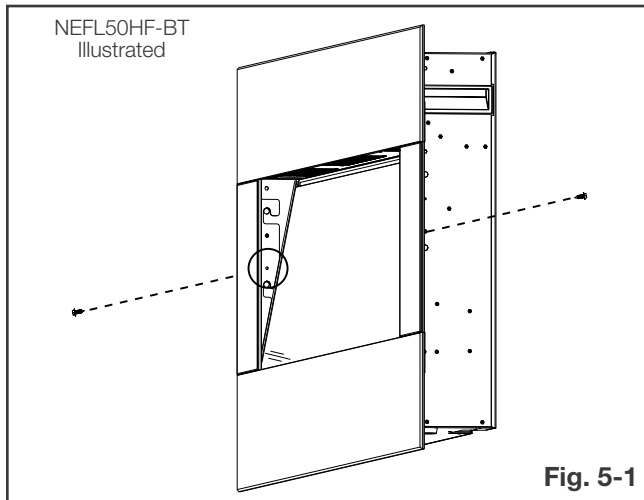


! WARNING

- Power supply service must be completed prior to finishing to avoid reconstruction.
- Heat vents and air openings cannot be covered in any circumstances.

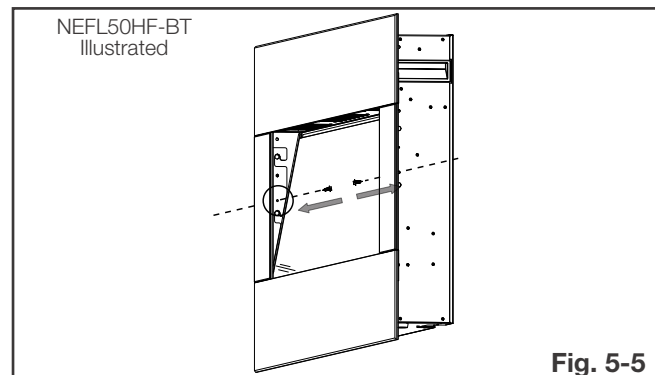
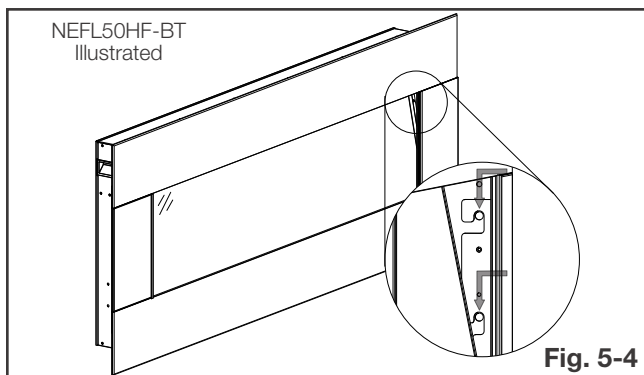
5.1 front surround removal / installation

- Remove the two screws securing the front surround place (**Fig. 5-1**).
- Lift the front surround up and out from the appliance (**Fig. 5-2**).
- Place the front surround face-down on a soft, non-abrasive surface (**Fig. 5-3**).
- Reverse these steps to install the front surround.



5.1.1 front surround installation for recessed installation

- Lift the front surround onto the appliance (**Fig. 5-4**).
- Secure the front surround in place by installing two screws from the inside to the outside of the appliance (**Fig. 5-5**).

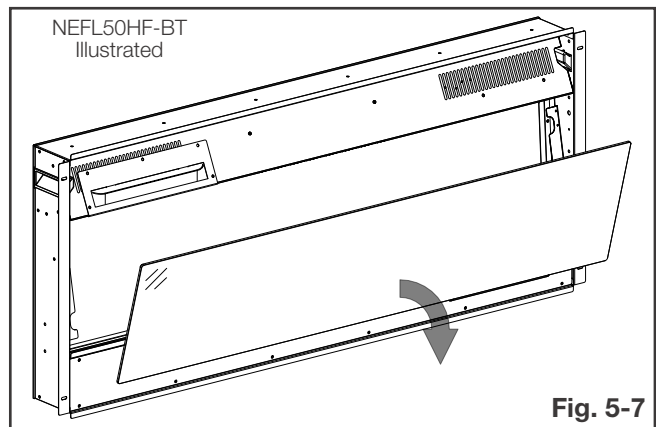
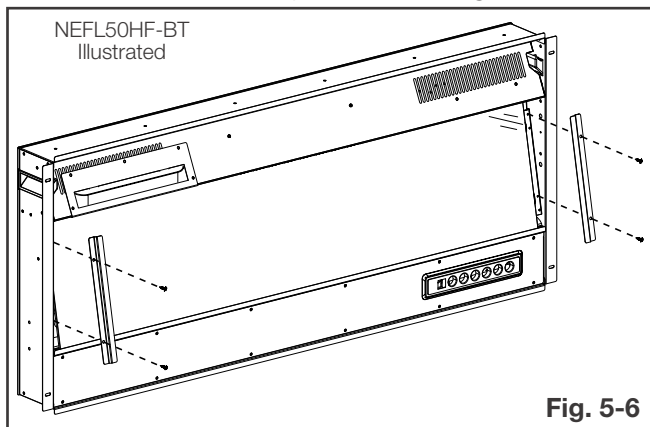


5.2 glass removal / installation

! WARNING

- Glass may be hot. Do not touch glass until cooled.
- If equipped with door latches that are part of a safety system, they must be properly engaged. Do not operate the appliance with latches disengaged.
- Facing and/or finishing materials must not interfere with air flow through air openings, louvre openings, operation of louvres, or doors/access for service. Observe all clearances when applying combustible materials.
- Before door is removed, turn the appliance off and wait until appliance is cool to the touch. Doors are heavy and fragile so handle with care.

- Remove the front surround (see “front surround removal / installation” section).
- Remove the four screws holding the glass retainer brackets in place, then remove the brackets and set them aside (**Fig. 5-6**).
- Remove the glass and place it face-down on a soft, non-abrasive surface (**Fig. 5-7**).
- Reverse these steps to install the glass.



5.3 crystal media / fireglass media installation

The front surround and glass must be removed and the appliance must be mounted in its final location before crystal media/fireglass media are installed (see “front surround removal / installation” section).

- Clean crystal media/fireglass media** with mild dish soap, drain, rinse thoroughly, and dry before placing into the tray.
- Carefully place crystals/black fireglass media/lucky beans into the bottom tray on the front of the appliance as illustrated. Apply an even layer from side to side.
- Resecure the glass (see “glass removal / installation” section).
- Resecure the front surround.



FIREGLASS MEDIA



CRYSTAL MEDIA

! WARNING

- Ensure the house circuit breakers for the power supply are turned on. When initially connecting the appliance to a power source, the appliance will perform an LED check. The appliance will flash on and off for 5 seconds.
- Do not move or remove the glass panel when the appliance is plugged in and operating. This will cause the remote control and touch panel to no longer function.

Once the appliance has been plugged into a grounded electrical outlet or hard-wired to a dedicated 120V power supply, it is ready to operate.

6.1 operating control panel and remote control

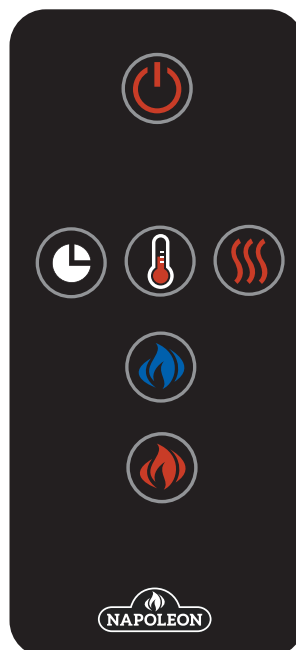
This electric appliance can be operated by the touch-on remote panel, or by the battery-powered remote control. The operation and functions are the same for both methods.

note:







The touch display panel is shown by LEDs on the bottom right of the appliance. The LEDs will disappear after 10 seconds of no function change. The main power button will be dim.



Control Panel



Remote Control

Power		Turns the appliance on / off.																										
Orange Flame		Controls orange flame brightness. 6 Settings: F5 - Brightest flame F4 F3 F2 F1 F0 - OFF																										
Blue Flame		Controls blue flame brightness. 6 Settings: F5 - Brightest flame F4 F3 F2 F1 F0 - OFF																										
Heater		Turns the heater and blower on / off. 4 Settings: H0 - Heater and blower off BL - Blower on H1 - Heater blows warm air (750W) H2 - Heater blows hot air (1500W) NOTE: Heater functions cycle from H0-BL-H1-H2. To lock the heater and temperature setting, press and hold the heater button for 5s. Press and hold the button again for 5s to unlock.																										
Timer		Controls the timer. 10 Settings: 30 (min), 1H, 2H, 3H, 4H, 5H, 6H, 7H, 8H, and 00. Press button until desired setting is reached.																										
Temperature		Controls the temperature. 1. Press once to activate touch panel indicator. 2. Press again until desired setting is reached. Digital display shows setting circles as below. <table border="1" data-bbox="751 1570 1297 1633"> <tr> <td>Temperature</td> <td>°C</td> <td>18</td> <td>19</td> <td>20</td> <td>21</td> <td>22</td> <td>23</td> <td>24</td> <td>25</td> <td>26</td> <td>27</td> <td>C</td> </tr> <tr> <td></td> <td>°F</td> <td>64</td> <td>66</td> <td>68</td> <td>70</td> <td>72</td> <td>74</td> <td>76</td> <td>78</td> <td>80</td> <td>82</td> <td>F</td> </tr> </table> NOTE: Press and hold the button for 5s to switch the temperature from °C to °F, and vice versa.	Temperature	°C	18	19	20	21	22	23	24	25	26	27	C		°F	64	66	68	70	72	74	76	78	80	82	F
Temperature	°C	18	19	20	21	22	23	24	25	26	27	C																
	°F	64	66	68	70	72	74	76	78	80	82	F																

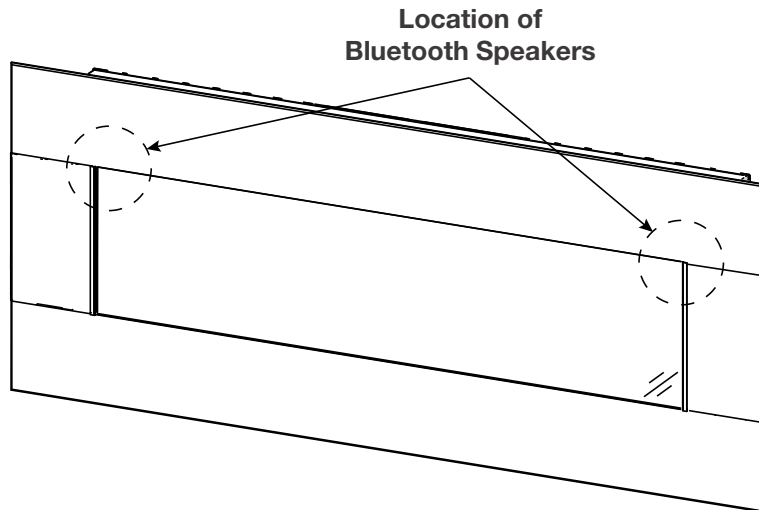
note:

To improve operation, aim the remote control at the front of the appliance. DO NOT press the buttons too quickly. Give the appliance time to respond to each command.

6.2 Bluetooth speaker connection

This appliance is equipped with Bluetooth audio speakers. They do not require an App and will play music on the mobile device as a wireless speaker.

1. Once the appliance is plugged in, use your mobile device to search for the Bluetooth signal called “Napoleon Bluetooth”.
2. Connect with the “Napoleon Bluetooth” signal. You will hear sounds from the appliance if the connection is successful.



6.3 remote battery installation

! WARNING

- This remote control requires button batteries that are hazardous to young children.
- **WARNING! KEEP BATTERIES OUT OF REACH OF CHILDREN.**
- Swallowing may lead to serious injury or death in as little as 2 hours due to chemical burns and potential perforation of the oesophagus.
- If you suspect your child has swallowed or inserted a button battery, immediately seek urgent medical assistance.
- Examine devices and make sure the battery compartment is correctly secured (i.e. that the screw or other mechanical fastener is tightened). Do not use if compartment is not secure.
- Dispose of used button batteries immediately and safely. Flat batteries can still be dangerous.
- Tell others about the risks associated with button batteries and how to keep their children safe.



note:

The remote control has a removable plastic tab to prolong the battery life while shipping. Remove the tab for the remote control to function.

1. To replace the existing battery, remove the battery holder.
2. To remove the battery holder, turn the remote onto its front side. Slide the battery holder outwards.
3. Replace the existing battery holder with a new battery (type CR 2025). Slide the battery holder back into position.
4. The battery holder is secure onto the remote control when a « CLICKING » noise is heard.

note:

The remote control must remain within 5 meters (17 feet) of the appliance to be effective. This range may be reduced when battery power is depleted. The remote control must be aimed at the centre of the appliance for it to function most effectively.



operating instructions

6.4 temperature limiting control

WARNING

- Never use batteries in fire. Failure to observe this precaution may result in an explosion. Dispose of batteries at your local hazardous material processing center.

The heater is equipped with a temperature limiting control. Should the heater reach an unsafe temperature, the heater will automatically turn off. To reset:

1. Unplug the power cord from the outlet.
2. Turn the power switch on the touch display panel to “OFF”. Wait 5 minutes.
3. Inspect the appliance to make sure no vents are blocked or clogged with dust/lint/etc. If they are, use a vacuum to clean the vent areas.
4. With the power switch in the “OFF” position, plug the power cord back into the outlet.
5. If the problem persists, have your outlet and wiring inspected by a professional.

7.0 maintenance

7.1 cleaning

WARNING

- Always turn the heater off and unplug the power cord from the outlet before cleaning, performing maintenance, or moving this appliance. Failure to do so could result in electric shock, fire, or personal injury.
- Never immerse in water or spray with water. Doing so could result in electric shock, fire, or personal injury.

Metal:

- Buff using a soft cloth, slightly dampened with a citrus oil-based product.
- Do not use brass polish or household cleaners as these products will damage the metal trim.

Glass:

- Use a good quality cleaner sprayed onto the cloth or towel. Dry thoroughly with a paper towel or lint-free cloth.
- Never use abrasive cleaners, liquid sprays, or any cleaner that could scratch the surface.

Vents:

- Use a vacuum or duster to remove dust and dirt from the heater and vent areas.

Plastic:

- Wipe gently with a slightly damp cloth and a mild solution of dish soap and warm water.
- Never use abrasive cleaners, liquid sprays, or any cleaner that could scratch the surface.

! WARNING

- Failure to position the parts in accordance with this manual or failure to use only parts specifically approved with this appliance may result in property damage or personal injury.

Contact your dealer for questions concerning prices and policies on replacement parts. Normally, all parts can be ordered through your Authorized dealer / distributor.

For warranty replacement parts, a photocopy of the original invoice will be required to honour the claim.

When ordering replacement parts always give the following information:

- Model & Serial Number of appliance
- Installation date of appliance
- Part number
- Description of part
- Finish

Parts, part numbers, and availability are subject to change without notice.

Parts identified as stocked will be delivered within 2 to 5 business days for most delivery destinations.

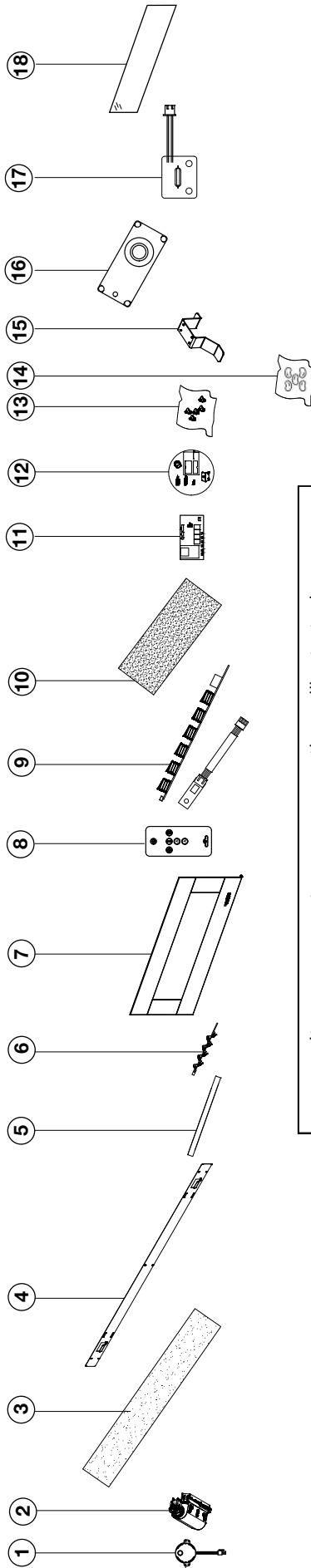
Parts not identified as stocked will be delivered within a 2 to 4 week period, for most cases.

Parts identified as 'SO' are special order and can take up to 90 days for delivery.

note:

Care must be taken when removing and disposing of any broken glass or damaged components. Be sure to vacuum up any broken glass from inside the appliance before operation.

8.1 NEFL50HF-BT overview

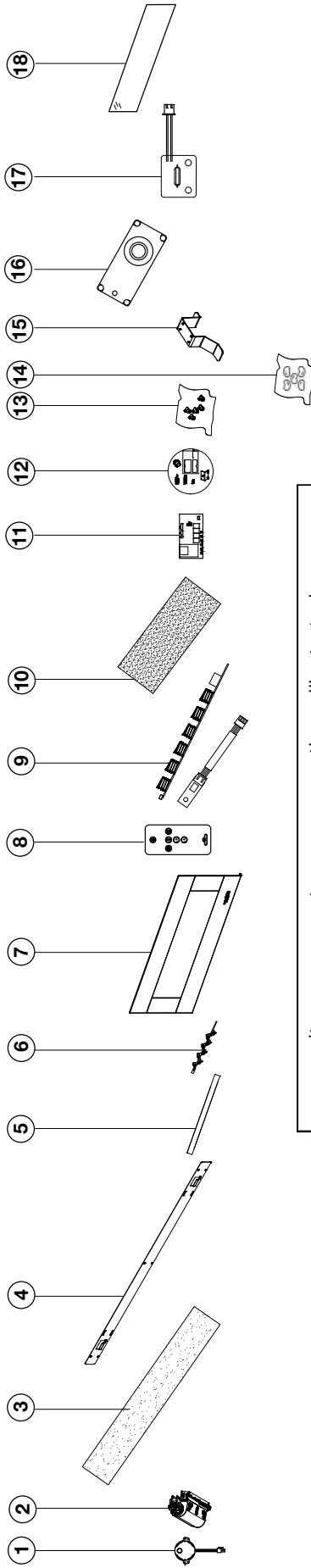


Items may not appear exactly as illustrated.

Ref. No.	Part No.	Description	Stocked
1	W435-0099-SER	Synchronous motor	Yes
2	W010-4601-SER	Blower and heater assembly	Yes
3	W497-1593-SER	Plastic strip	Yes
4	W080-1616-SER	Wall mounting bracket	Yes
5	W405-0033	LED light strip (orange & blue)	Yes
6	W527-0035-SER	Reflector spindle	Yes
7	W715-1235-SER	Front surround	Yes
8	W190-0158-SER	Remote control	Yes

Ref. No.	Part No.	Description	Stocked
9	W475-1184	Touch-on control panel (with remote receiver)	Yes
10	W497-1595-SER	Acrylic plastic panel	Yes
11	W190-0096	Circuit board	Yes
12	W370-0173-SER	Hardware kit	Yes
13	W497-1597-SER	Crystal	Yes
14	W497-1649	Fireglass media	Yes
15	W035-0498-SER	Metal foot	Yes
16	W616-0001-SER	Bluetooth speaker	Yes
17	W690-0021	Thermostat	Yes
18	W300-0302-SER	Front glass	Yes

8.2 NEFL60HF-BT overview

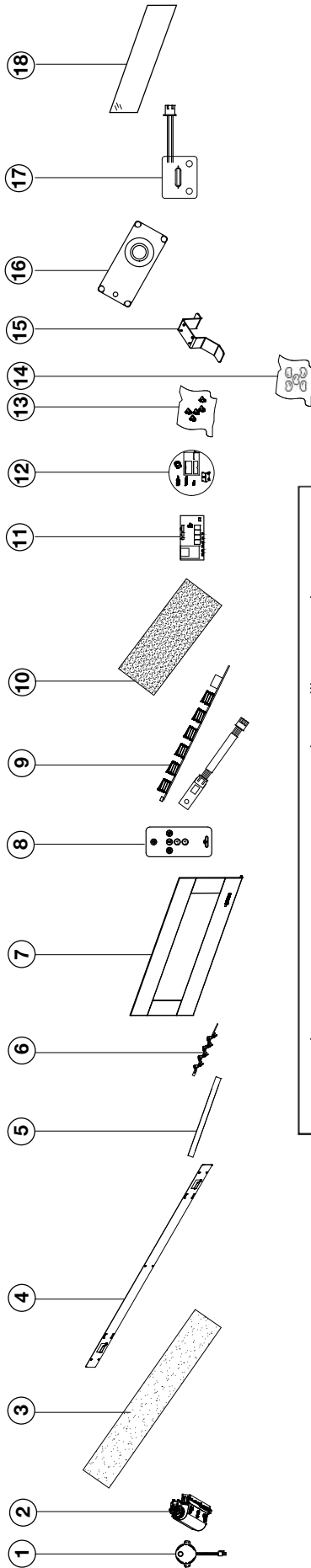


Items may not appear exactly as illustrated.

Ref. No.	Part No.	Description	Stocked
1	W435-0099-SER	Synchronous motor	Yes
2	W010-4601-SER	Blower and heater assembly	Yes
3	W497-1642	Plastic strip	Yes
4	W080-1616-SER	Wall mounting bracket	Yes
5	W405-0033	LED light strip (orange & blue)	Yes
6	W527-0049	Reflector spindle	Yes
7	W715-1296	Front surround	Yes
8	W190-0158-SER	Remote control	Yes

Ref. No.	Part No.	Description	Stocked
9	W475-1184	Touch-on control panel (with remote receiver)	Yes
10	W497-1644	Acrylic plastic panel	Yes
11	W190-0096	Circuit board	Yes
12	W370-0272	Hardware kit	Yes
13	W497-1647	Crystal	Yes
14	W497-1650	Fireglass media	Yes
15	W035-0498-SER	Metal foot	Yes
16	W616-0001-SER	Bluetooth speaker	Yes
17	W690-0021	Thermostat	Yes
18	W300-0395	Front glass	Yes

8.3 NEFL72HF-BT overview



Items may not appear exactly as illustrated.

Ref. No.	Part No.	Description	Stocked
1	W435-0099-SER	Synchronous motor	Yes
2	W010-4601-SER	Blower and heater assembly	Yes
3	W497-1643	Plastic strip	Yes
4	W080-1616-SER	Wall mounting bracket	Yes
5	W405-0033	LED light strip (orange & blue)	Yes
6	W527-0050	Reflector spindle	Yes
7	W715-1297	Front surround	Yes
8	W190-0158-SER	Remote control	Yes

Ref. No.	Part No.	Description	Stocked
9	W475-1184	Touch-on control panel (with remote receiver)	Yes
10	W497-1645	Acrylic plastic panel	Yes
11	W190-0096	Circuit board	Yes
12	W370-0273	Hardware kit	Yes
13	W497-1648	Crystal	Yes
14	W497-1651	Firerglass media	Yes
15	W035-0498-SER	Metal foot	Yes
16	W616-0001-SER	Bluetooth speaker	Yes
17	W690-0021	Thermostat	Yes
18	W300-0396	Front glass	Yes

WARNING

- Turn off the appliance completely and let cool before servicing. Only a qualified service person should service and repair this electric appliance.

symptom	problem	solution
Appliance will not come on when power button/switch is put into the "on" position.	Appliance is not plugged into an electrical outlet.	Check plug, and plug in the appliance if necessary.
	Hard wire connections are not correct.	See "hard-wiring installation" section.
	Appliance has overheated and safety thermal switch has tripped.	Unplug power or turn off the circuit breaker, allow appliance to cool for 15 minutes, then plug in the appliance or turn the breaker on.
	Main PCB board issue.	Inspect the circuit board and replace, if necessary.
Appliance turns off and will not turn on.	House circuit breaker has tripped.	Reset house circuit breaker.
	Appliance's fuse has blown.	Replace the fuse.
	Appliance has overheated and safety thermal switch has tripped.	Unplug power or turn off the circuit breaker, allow appliance to cool for 15 minutes to reset the thermal switch, then plug in the appliance or turn the breaker on.
Appliance has returned to default settings.	Power failure.	Re-program appliance to original settings (not applicable with all appliances).
Remote control does not work.	Low/dead batteries.	Replace batteries in remote control.
	Remote receiver malfunction.	Ensure remote receiver is not blocked. Replace control panel.
No warm air coming out of the appliance.	Heater setting not selected.	See "operation" section.
	Heater has been locked out.	See "operation" section.
	Room temperature is higher than appliance setting (if set to room temperature).	Reset temperature setting.
	Appliance has overheated and safety thermal switch has tripped.	Unplug power or turn off the circuit breaker. Allow for appliance to cool for 15 minutes.
	Hard wire connections are not correct.	See "hard-wiring installation" section.
	Heater issue.	Inspect the blower and heater and replace, if necessary.
Heater shuts off automatically.	Room is too warm.	The heater has a built-in thermostat so it will shut off automatically once the pre-set temperature is reached. It will also turn on automatically if the room temperature drops below the pre-set temperature.
Dim or no flame.	Flame brightness not selected.	See "operation" section.
	Flame LEDs issue.	Inspect the LED and replace, if necessary.
	Main PCB board issue.	Inspect the main PCB board and replace, if necessary.
Flame does not move.	Motor is stalled/malfunctioning.	Cycle on/off. If problem persists, consult dealer.

Napoleon electric appliances are manufactured under the strict Standard of the world recognized ISO 9001 : 2015 Quality Management System.

Napoleon products are designed with superior components and materials and assembled by trained craftsmen who take great pride in their work. Once assembled, the complete appliance is thoroughly inspected by a qualified and authorized installer, service agency, or supplier before packing to ensure that you, the customer, receive the quality product that you expect from **Napoleon**.

Napoleon Electric Appliance Standard Warranty

Electrical components and wearable parts are covered and **Napoleon** will provide replacement parts free of charge during the first year of standard warranty. This covers: fan/heaters, motors, switches, nylon bearing components, remote controls, and LED lights.*

Light bulbs and fuses are NOT covered by the warranty.

Any labour related to warranty repair is not covered.

* Construction of models vary. Warranty applies only to components included with your specific appliance.

Conditions and Limitations

Napoleon warrants its products against manufacturing defects to the original purchaser only. Registering your warranty is not necessary. Simply provide your proof of purchase along with the model and serial number to make a warranty claim. Provided that the purchase was made through an authorized **Napoleon** dealer, your appliance is subject to the following conditions and limitations:

Warranty coverage begins on the date of original installation.

This factory warranty is non-transferable and may not be extended whatsoever by any of our representatives.

Installation must be done in accordance with the installation instructions included with the product and all local and national building and fire codes.

This standard warranty does not cover damages caused by misuse, lack of maintenance, accident, alterations, abuse, or neglect and parts installed from other manufacturers will nullify this warranty.

This standard warranty further does not cover any scratches, dents, corrosion, or discolouring caused by excessive heat, abrasive and chemical cleaners, nor chipping on porcelain enamel parts, mechanical breakage of PHAZER™ logs.

In the first year only, this warranty extends to the repair or replacement of warranted parts which are defective in material or workmanship, provided that the product has been operated in accordance with the operation instructions and under normal conditions.

Napoleon will not be responsible for installation, labour, or any other expenses related to the reinstallation of a warranted part, and such expenses are not covered by this warranty. Notwithstanding any provisions contained in the Standard Warranty, **Napoleon** responsibility under this warranty is defined as above, and it shall not in any event extend to any incidental, consequential, or indirect damages.

This warranty defines the obligations and liability of **Napoleon** with respect to the **Napoleon** electric appliance and any other warranties expressed or implied with respect to this product; its components or accessories are excluded.

Napoleon neither assumes, nor authorizes any third party to assume, on its behalf, any other liabilities with respect to the sale of this product.

Any damages to appliance, brass trim or other component due to water, weather damage, long periods of dampness, condensation, damaging chemicals, or cleaners will not be the responsibility of **Napoleon**.

Napoleon reserves the right to have its representative inspect any product or part thereof prior to honouring any warranty claim.

All parts replaced under the Standard Warranty Policy are subject to a single claim.

All parts replaced under the warranty will be covered for a period of 90 days from the date of their installation.

The manufacturer may require that defective parts or products be returned or that digital pictures be provided to support the claim. Returned products are to be shipped prepaid to the manufacturer for investigation. If a product is found to be defective, the manufacturer will repair or replace such defect.

Before shipping your appliance or defective components, your dealer must obtain an authorization number. Any merchandise shipped without authorization will be refused and returned to sender.

Shipping costs are not covered under this warranty.

Additional service fees may apply if you are seeking warranty service from a dealer.

All specifications and designed are subject to change without prior notice due to on-going product improvements. **Napoleon** is a registered trademark of Wolf Steel Ltd.

NAPOLEON CELEBRATING OVER 40 YEARS OF HOME COMFORT PRODUCTS



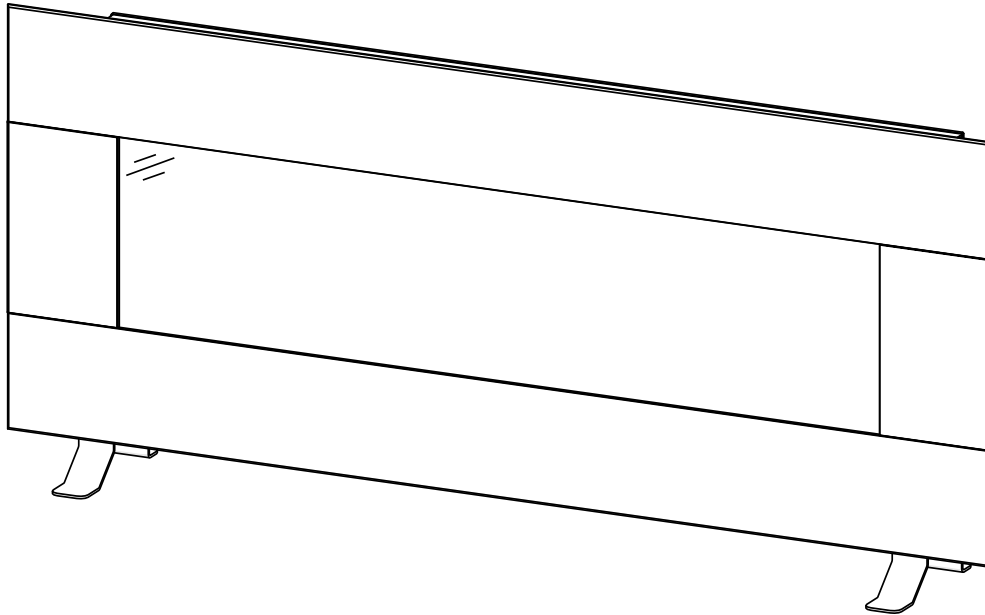
7200, Route Transcanadienne, Montréal, Québec H4T 1A3
24 Napoleon Road, Barrie, Ontario, Canada L4M 0G8
214 Bayview Drive, Barrie, Ontario, Canada L4N 4Y8
103 Miller Drive, Crittenden, Kentucky, USA 41030
De Riemsdijk 22, 4004 LC Tiel, The Netherlands

Phone: 1-866-820-8686
napoleon.com



MANUEL D'INSTALLATION ET D'OPÉRATION

Appareil Électrique Muraux
NEFL50HF-BT Illustré avec Pieds Métalliques



CONSIGNES DE SÉCURITÉ

AVERTISSEMENT

RISQUE D'INCENDIE OU D'EXPLOSION

Si ces instructions ne sont pas suivies à la lettre, un incendie pourrait s'ensuivre causant des dommages matériels, des blessures corporelles ou des pertes de vie.

- N'entreposez pas et n'utilisez pas d'essence ou autres liquides et vapeurs inflammables à proximité de cet appareil ou tout autre appareil.

INSTALLATEUR:

Laissez ce manuel avec l'appareil

PROPRIÉTAIRE:

Conservez ce manuel pour consultation ultérieure.



Cet appareil dispose d'une télécommande qui nécessite des piles à bouton qui sont dangereuses pour les jeunes enfants.

POUR L'UTILISATION INTÉRIEUR SEULEMENT

CERTIFIÉ SELON LES NORMES NATIONALES CANADIENNES ET AMÉRICAINES:
CSA 22.2 NO. 46 / UL 2021 + UL 1278



Wolf Steel Ltd., 24 Napoleon Rd., Barrie, ON, L4M 0G8 Canada / 103 Miller Drive, Crittenden, Kentucky, USA, 41030
Téléphone 1 (866) 826 8686 • www.napoleon.com • hearth@napoleon.com

AVERTISSEMENT

- **Si équipé avec un chauffage, cet appareil peut être chaud lorsqu'il fonctionne et peut causer de graves brûlures en cas de contact.**
- Ne faites pas fonctionner l'appareil avant d'avoir lu et compris les instructions d'utilisation. L'incapacité de respecter les instructions pourrait causer un incendie ou des blessures corporelles.
- N'installez pas de composants endommagés ou incomplets, ni des composants de substitution.
- Ne brûlez pas de bois ou autres matériaux dans cet appareil.
- Tous les appareils électriques contiennent des composants internes qui deviennent chauds et qui produisent des étincelles. N'utilisez pas cet appareil dans des endroits où de l'essence, des peintures ou d'autres liquides inflammables sont présents.
- Les grillages de sécurités ou écrans enlevés pour faire l'entretien devront être remis en place avant d'utiliser l'appareil.
- Il est primordial de garder propres les compartiments de contrôle, les brûleurs, la soufflerie, les bouches d'air de l'appareil ainsi que le système d'évacuation. L'appareil et son système d'évacuation doivent être inspectés avant la première utilisation et au moins une fois l'an par un spécialiste en entretien. Un entretien plus fréquent pourrait être nécessaire en raison des peluches provenant des tapis, literie, etc. L'emplacement de l'appareil doit être gardé libre de tous matériaux combustibles, essence ou autres liquides et vapeurs inflammables.
- Cet appareil ne devra être modifié en aucun cas.
- N'utilisez pas cet appareil si une partie quelconque a été submergée. Contactez immédiatement un technicien de service qualifié pour inspecter l'appareil et pour remplacer toute pièce du système de contrôle qui aurait été submergée.
- Si équipé avec une porte vitrée, n'opérer pas l'appareil lorsque la porte vitrée est enlevée, fissurée ou brisée. Le remplacement de la vitre devra être effectué par un technicien de service certifié ou qualifié.
- Si équipé avec un porte vitrée, ne frappez pas et ne claquez pas la porte vitrée de l'appareil.
- Les matériaux d'emballage doivent être gardés hors de la portée des enfants et mis au rebut de façon sécuritaire. Comme tous les emballages de plastique, ceux-ci ne sont pas des jouets et doivent demeurer hors de la portée des enfants et des bébés.
- L'entretien ne doit être effectué que lorsque l'appareil est débranché du circuit électrique.
- Débranchez toujours l'appareil lorsqu'il n'est pas utilisé.
- N'utilisez pas l'appareil si le cordon d'alimentation ou la fiche sont endommagés, s'il ne fonctionne pas bien, ou s'il a été échappé ou endommagé d'une quelconque façon. Retournez l'appareil à un centre de service autorisé pour une inspection, des ajustements électriques ou mécaniques ou une réparation.
- N'utilisez pas cet appareil à l'extérieur.
- Lorsque vous installez cet appareil dans une pièce où l'eau est présente, l'installation doit se conformer aux codes reconnaissant le risque accru de décharge électrique et d'électrocution.

note:

Cet appareil NE PEUT PAS être installé dans une salle de bain.

- Ne passez pas le cordon d'alimentation sous un tapis. Ne recouvrez pas le cordon avec des carpettes, des tapis de couloir ou autres revêtements similaires. Évitez de placer le cordon dans un endroit passant ou à un endroit où il risque de causer des chutes.
- Branchez seulement dans une prise de courant adéquatement mise à la terre.
- N'insérez pas d'objets dans les ouvertures d'entrée d'air ou de sortie d'air puisque cela risque d'endommager l'appareil ou causer des chocs électriques ou un incendie.
- Il est normal que votre appareil électrique produise du bruit, surtout s'il est installé dans un endroit calme comme un chambre à coucher.

AVERTISSEMENT

- Pour prévenir les risques d'incendie, ne bloquez pas les entrées d'air et les sorties d'air de quelque manière que ce soit. Ne placez pas cet appareil sur une surface molle telle qu'un tapis où les ouvertures pourraient se bloquer.
- Toujours brancher l'appareil directement dans une prise murale. N'utilisez pas de cordons d'alimentation ou une robinet d'alimentation relogeables (alimentation/multiprise).
- Cet appareil a été testé et homologué pour usage avec les accessoires optionnels listés dans ce manuel uniquement. L'utilisation d'accessoires optionnels qui n'ont pas été spécifiquement testés pour cet appareil électrique annulera la garantie de l'appareil et/ou présentera des risques pour la sécurité.

Pour les appareil équipé avec chauffage:

- Risque de brûlures. L'appareil doit être éteint et refroidi avant d'effectuer l'entretien. Pour débrancher l'appareil, mettez d'abord les boutons de contrôle à « OFF » puis retirez la fiche de la prise de courant.
- Les jeunes enfants doivent être supervisés attentivement lorsqu'ils sont dans la même pièce que l'appareil recommandés s'il y a dans la maison des individus à risque. Les jeunes enfants et autres personnes sont sujets aux brûlures accidentelles. Une barrière de protection est recommandée s'il y a dans la maison des individus à risque. Afin de restreindre l'accès à l'appareil, installez une barrière de protection ajustable pour garder les jeunes enfants ou autres personnes à risque hors de la pièce et loin des surfaces chaudes.
- Les vêtements et autres matériaux combustibles ne doivent pas être posés sur l'appareil ou à proximité.
- En raison des températures élevées, l'appareil devrait être placé loin des endroits passants et loin des meubles et des rideaux.
- Assurez-vous de disposer de mesures de sécurité adéquates pour empêcher les jeunes enfants de toucher aux surfaces chaudes.
- Même lorsque l'appareil est éteint, la porte et l'écran demeureront chauds pendant un bon moment.
- Consultez votre détaillant local de foyer pour connaître les grillages de sécurité et les écrans offerts pour protéger les enfants des surfaces chaudes. Ces grillages de sécurité et ces écrans doivent être fixés au plancher.
- Assurez-vous de respecter les dégagements aux matériaux combustibles lorsque vous installez un manteau ou des tablettes au-dessus de l'appareil. Les téléviseurs et autres composants électroniques sournis à des températures élevées peuvent fondre, se déformer, se décolorer et entraîner des défaillances prématurées de ces appareils.

 AVERTISSEMENT: Ce produit peut vous exposer à des substances chimiques incluant le plomb et les composés de plomb qui, selon l'État de Californie, causeraient le cancer, et des substances chimiques incluant le BBP et DEHP qui, selon d'État de Californie, causeraient des malformations congénitales ou autres dangers pour la reproduction. Pour de plus amples renseignements, visitez le www.P65Warnings.ca.gov.

table de matières

FR

1.0	information générale	35
1.1	dimensions	35
1.2	information à propos de plaque d'homologation	36
1.3	homologations	36
1.4	instructions générales	37
1.5	déballage et vérification d'appareil	38
1.6	liste de pièces	38
2.0	emplacement d'appareil	39
2.1	mise à terre d'appareil	39
3.0	installation	40
3.1	dégagements minimaux aux combustibles	40
3.2	installation d'appareil	41
3.2.1	installation d'appareil sur mur	41
3.2.2	ossature	42
3.3.1	installation encastré	43
3.3	installation de pieds métalliques	43
4.0	information électrique	44
4.1	installation de branchement par câble	44
4.2	schéma de câblage pour NEFL50HF-BT	45
4.3	schéma de câblage pour NEFL60/72HF-BT	46
5.0	finitions	47
5.1	enlèvement / installation de façade avant	47
5.1.1	installation de façade avant pour installation encastré	47
5.2	enlèvement / installation de verre	48
5.3	installation de média en cristal / média en verre pare-feu	48
6.0	instructions de fonctionnement	49
6.1	fonctionnement de panneau de contrôle tactile et télécommande	49
6.2	connexion de haut-parleurs Bluetooth	51
6.3	installation de pile de télécommande	51
6.4	contrôle de limite de température	52
7.0	entretien	52
7.1	nettoyage	52
8.0	pièces de rechange	53
8.1	vue d'ensemble de NEFL50HF-BT	54
8.2	vue d'ensemble de NEFL60HF-BT	55
8.3	vue d'ensemble de NEFL72HF-BT	56
9.0	guide de dépannage	57
10.0	garantie	59



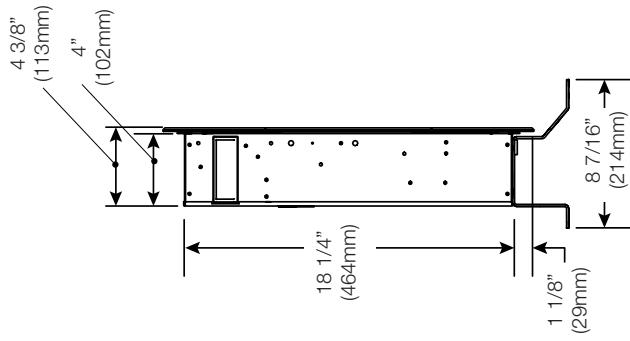
Les piles doivent être mises au rebut conformément aux lois et à la réglementation locales. Certaines piles peuvent être recyclées dans votre centre de recyclage local. Renseignez-vous auprès de votre municipalité au sujet des directives de recyclage.

note:

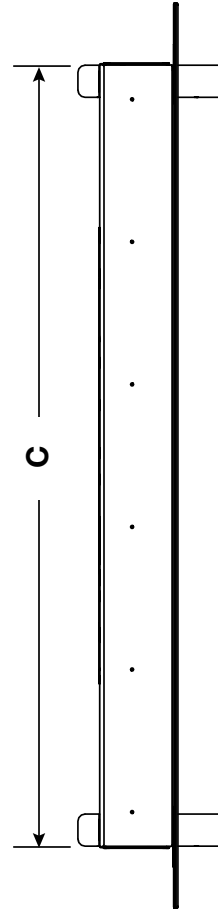
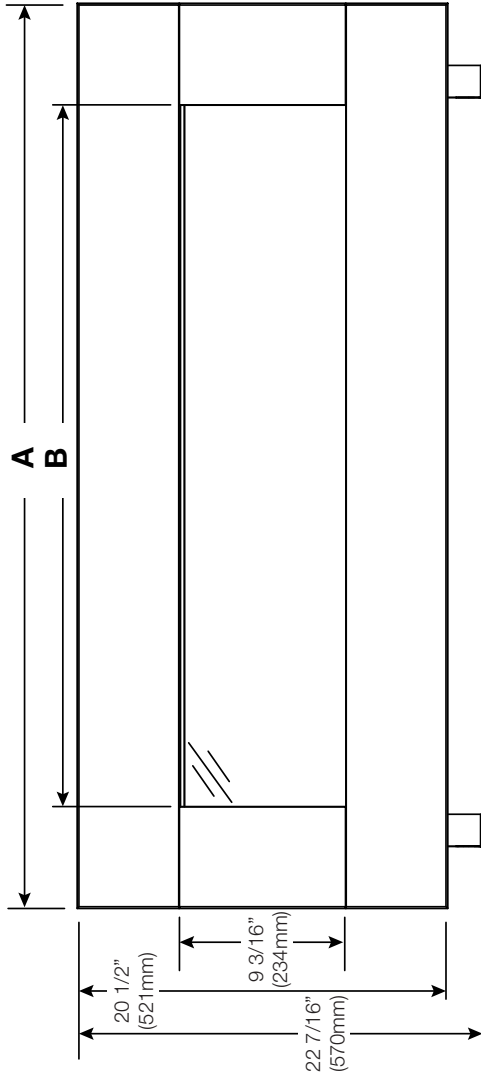
L'information contenue dans ce manuel est jugée correcte au moment de l'impression. Wolf Steel Ltée. se réserve le droit de modifier ou de modifier toute information contenue dans ce manuel à tout moment sans préavis. Les modifications, autres que les éditoriaux, sont désignées par une ligne verticale dans la marge.

1.1 dimensions

VUE DE CÔTÉ



VUE DE FACE



VUE DE DESSUS

Ref.	NEFL50HF-BT	NEFL60HF-BT	NEFL72HF-BT
A	50" (1270mm)	60" (1524mm)	72" (1829mm)
B	38 3/4" (984mm)	48 3/4" (1238mm)	60 11/16" (1541mm)
C	43 3/8" (1102mm)	53 5/16" (1354mm)	65 5/16" (1659mm)

general information

FR 1.2 information à propos de plaque d'homologation

Cette illustration est à titre d'illustration seulement. Consultez la plaque d'homologation pour obtenir l'information précis.

CERTIFIED UNDER CANADIAN AND AMERICAN NATIONAL STANDARD: CSA 22.2 NO. 46, UL 2021 & UL 1278 / HOMOLOGUÉ SELON LES NORMES NATIONALES CANADIENNES ET AMÉRICAINES: CSA 22.2 NO. 46, UL 2021 & UL 1278	
ELECTRIC FIREPLACE. SUITABLE FOR BEDROOM AND BED-SITTING ROOM INSTALLATION.	FOYER ÉLECTRIQUE. HOMOLOGUÉ POUR INSTALLATION DANS UNE CHAMBRE À COUCHER, UNE SALE DE BAIN, ET UN STUDIO.
MASTER CONTRACT: 600407	CONTRAT-CADRE: 600407
<input type="checkbox"/> NEFL50HF-BT	<input type="checkbox"/> CEFL50HF-BT
<input type="checkbox"/> NEFL60HF-BT	<input type="checkbox"/> CEFL60HF-BT
<input type="checkbox"/> NEFL72HF-BT	<input type="checkbox"/> CEFL72HF-BT
MODEL	
VOLTAGE: 120VAC	TENSION: 120VAC
FREQUENCY: 60Hz	FRÉQUENCE: 60Hz
POWER: 1500W	PUISSANCE: 1500W
DATE CODE:	CODE DE DATE:
DESIGNED IN NORTH AMERICA BY WOLF STEEL LTD. MADE IN CHINA	DÉSIGNÉ AMÉRIQUE DU NORD PAR WOLF STEEL LTD. FABRIQUÉ EN CHINE
WOLF STEEL LTD. 24 NAPOLEON ROAD, BARRIE, ON, L4M 0E8, CANADA	SERIAL NUMBER/NO. DE SÉRIE: NEFLXXHF W385-2374 / C

note:

La plaque d'homologation doit rester avec l'appareil à tout instant. Elle ne doit pas être enlevée.

1.3 homologations

Cet appareil a été testé selon les normes CSA pour les appareils électriques installés de façon permanentes et amovibles aux États-Unis et au Canada. Si vous avez besoin d'assistance durant l'installation, veuillez contacter votre détaillant local.

note:

Cet appareil doit être raccordé électriquement et mis à la terre selon les codes locaux ou, en l'absence de tels codes, avec la dernière édition du National Electrical Code ANSI/NFPA 70 aux États-Unis ou le Code Canadien de l'Électricité CSA C22.1 au Canada.

No. de Modèle	NEFL50HF-BT	NEFL60HF-BT	NEFL72HF-BT
Description	Appareil de fixation mural avec pieds optionnels		
Tension	120V AC		
Puissance	Max 1500W		
Ampères	15 AMP circuit mis à la terre dédié		
Largeur	50" (1270mm)	60" (1524mm)	72" (1829mm)
Hauteur	20 1/2" (521mm) sans pieds métalliques		
Profondeur	4 3/8" (113mm) sans pieds métalliques		

1.4 instructions générales

AVERTISSEMENT

- Lisez ces instructions complètement avant de commencer l'installation. Le non-respect de cette précaution peut causer l'appareil de mal fonctionner, qui peut résulter en les blessures graves et/ou dommages matériels.
- Tous les appareils électriques avoir les parties chauds, à l'arc, ou d'étincelles dans leurs intérieurs. N'utilisez pas l'appareil en les zones où l'essence, la peinture, ou les liquides inflammable sont présents.
- Cet appareil électrique est testé et listé pour l'utilisation seulement avec les accessoires optionnels listés dans ces instructions. L'utilisation des accessoires optionnels non testé spécifiquement pour cet appareil électrique peut annuler la garantie et/ou résulter dans un risque pour la sécurité.
- N'ouvrez pas. Risque de choc électrique. Il n'y pas de parties à l'intérieur qui peuvent être révisés par l'utilisateur.
- N'utilisez pas les cordons électrique qui sont endommagés.
- Le service doit être complété lorsque l'appareil est déconnecté du circuit électrique d'alimentation.
- Pour prévenir le choc électrique, correspondez la lame large de la prise à la fente large du réceptacle et insérez complètement.

- Avant de brancher votre appareil dans une prise de courant, vérifiez si le disjoncteur de la maison pour ce circuit est allumé.
- Il est possible que l'appareil dégage une légère odeur inoffensive lors de la première utilisation. Cela est une condition normale causée par le chauffage initial des éléments de l'appareil. Elle ne se reproduira plus.
- Si votre appareil n'émet pas de chaleur lorsqu'il est sollicité, consultez la section « fonctionnement » de ce manuel pour de plus amples renseignements.
- Utilisez avec un limiteur de surtension certifié CSA ou UL.
- Ne faites pas passer le cordon d'alimentation directement sous l'appareil.

Cet appareil électrique répond aux normes de construction et de sécurité du H.U.D. pour des applications dans des maisons préfabriquées lorsque installé selon ces instructions.

Comme avec la plupart des appareils électroniques, votre nouveau appareil électrique a été conçu pour fonctionner à des températures comprises entre 5°C (41°F) et 35°C (95°F). Pendant les mois froids de l'hiver, la cheminée permet d'atteindre la température avant de l'allumer.

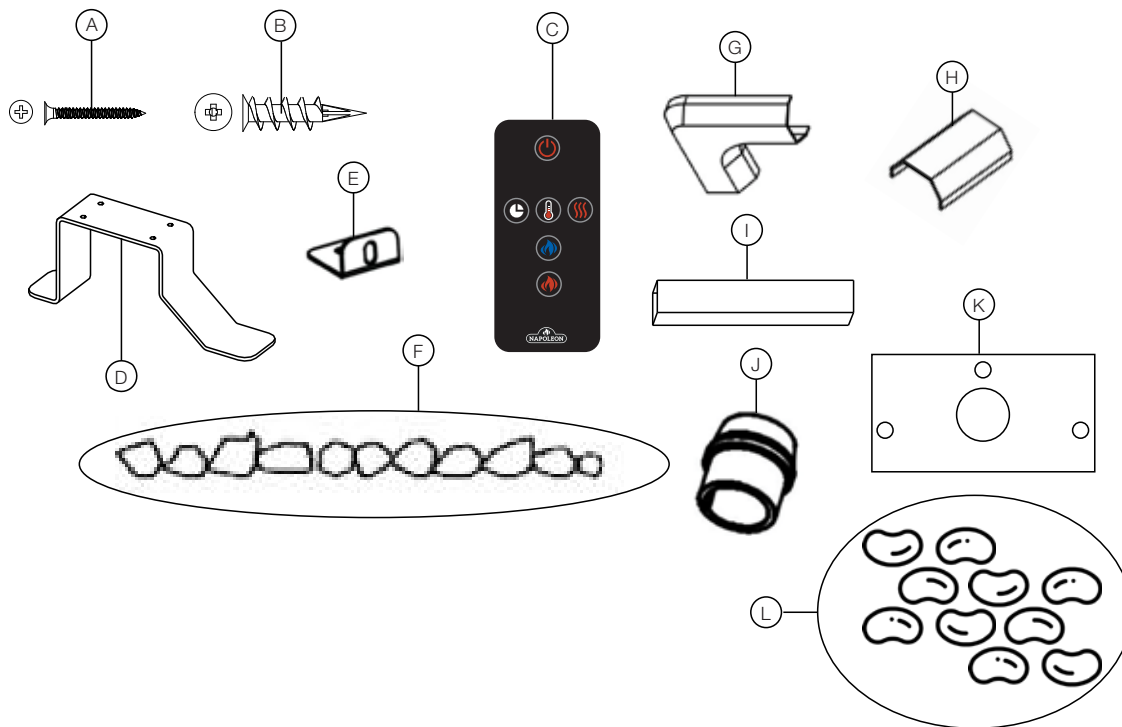
information générale

FR

1.5 déballage et vérification d'appareil

Retirez soigneusement l'appareil de la boîte et retirez les supports. Avant d'installer l'appareil, retirez tous les matériaux d'emballage et vérifiez que l'appareil fonctionne correctement en branchant le cordon d'alimentation dans une prise de terre minimale de 120V, 15 ampères, mise à la terre.

1.6 liste de pièces



Réf.	Description	Quantité		
		NEFL50HF-BT	NEFL60HF-BT	NEFL72HF-BT
A	Vis à bois	7		
B	Ancrages pour cloison sèche	7		
C	Télécommande	1		
D	Pied métallique	2		
E	Support « L »	1		
F	Cristal décorative (sac)	1	1	2
G	Coin de cordon	2		
H	Connecteur de couvercle de cordon direct	2		
I	Couvercle de cordon	2		
J	Soulagement de traction	1		
K	Plaque de recouvrement	1		
L	Média en verre pare-feu (sac)	1		

note:

Seulement les attaches fournies avec l'appareil seront illustrées.

! WARNING

- En raison des températures élevées, cet appareil électrique doit être situé hors de circulation. Conservez des matériaux combustibles tels que des meubles, des coussins, des litières, des papiers, des vêtements, et des rideaux au moins 36" (91,4cm) de l'avant de l'appareil.
- Ne placez jamais cet appareil électrique là où il peut tomber dans une baignoire ou au autre contenant d'eau.
- Portez des gants de sécurité et des lunettes de sécurité pour la protection pendant l'installation et l'entretien.
- Pour éviter tout contact avec une isolation affaissé ou perdue, l'appareil électrique ne doit pas être installé contre un pare-vapeur ou un isolant exposé. Une surchauffe localisée pourrait se produire et un incendie pourrait en résulter.
- N'exposez pas l'appareil électrique aux éléments (c.à.d la pluie, la neige, etc.).

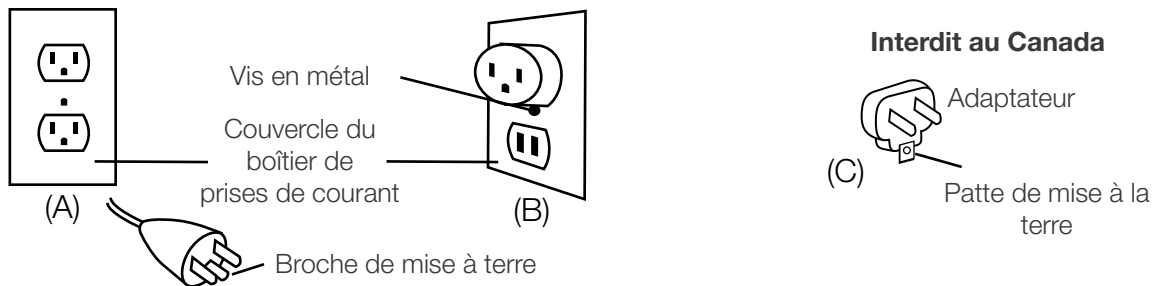
2.1 mise à terre d'appareil

Cet appareil doit être branché sur un circuit de 120 volts. Son cordon d'alimentation est équipé d'une fiche comme illustré en (A) ci-contre. Un adaptateur, tel qu'illustré en (C), est disponible pour brancher des fiches à trois branches avec mise à la terre dans des prises à deux fentes, tel qu'illustré en (B).

La patte verte de mise à la terre de l'adaptateur doit être branchée dans une prise de courant mise à la terre de façon permanente telle qu'un boîtier de prises de courant mis à la terre. L'adaptateur ne doit pas être utilisé si une prise de courant mise à la terre à trois fentes est disponible.

Pour débrancher l'appareil, mettez les boutons de contrôle à « OFF » puis retirez la fiche de la prise du courant.

Méthodes de mise à la terre

**note:**

Cet appareil doit être connecté à un circuit de 15 ampères dédié. L'utilisation d'un cordon d'extension N'EST PAS autorisée.

3.0 installation

FR

⚠ AVERTISSEMENT

- Risque d'incendie! Le cordon d'alimentation ne doit pas être coincé contre une arrête vive. Fixez le cordon pour éviter les chutes ou les accrochages afin de réduire le risque d'incendie, de choc électrique ou de blessures corporelles. Ne passez pas le cordon d'alimentation sous un tapis. Ne recouvrez pas le cordon avec des tapis, des tapis de couloir ou autres revêtements similaires. Évitez de placer le cordon dans un endroit passant ou à un endroit où il risque de causer des chutes.
- Risque d'incendie! Pour prévenir les risques d'incendie, ne bloquez pas les entrées d'air et les sorties d'air de quelque manière que ce soit. Ne placez pas cet appareil sur une surface molle où les ouvertures pourraient se bloquer.
- Risque d'incendie! Ne soufflez pas ou ne placez pas d'isolant contre l'appareil.
- Cet appareil électrique a été testé et homologué pour usage avec les accessoires optionnels listés dans ce manuel uniquement. L'utilisation d'accessoires optionnels qui n'ont pas été spécifiquement testés pour cet appareil électrique annulera la garantie de l'appareil et/ou présentera des risques pour la sécurité.
- Si ces instructions ne sont pas suivies à la lettre, un incendie ou une explosion pourraient s'ensuire, causant des dommages matériels, des blessures corporelles ou des pertes de vie. N'entrez pas et n'utilisez pas d'essence ou autres vapeurs inflammables à proximité de cet appareil ou tout autre appareil.
- Étant donné la lourdeur de cet appareil, il est recommandé que deux personnes en fassent l'installation.
- Si votre appareil est équipé avec chauffage, assurez-vous que les ouvertures de la chauffage ne peut pas, dans aucune façon, être recouverts car il peut provoquer un incendie.
- N'exécutez pas le cordon d'alimentation horizontalement, directement en dessous de l'appareil.

Votre NEFL50HF-BT peut être monté sur le mur, encastré, ou installé avec les pieds métalliques. Sélectionnez un endroit approprié qui ne soit pas susceptible d'être humide et qu'il soit éloigné des rideaux, des meubles, et des zones à fort trafic.

note:

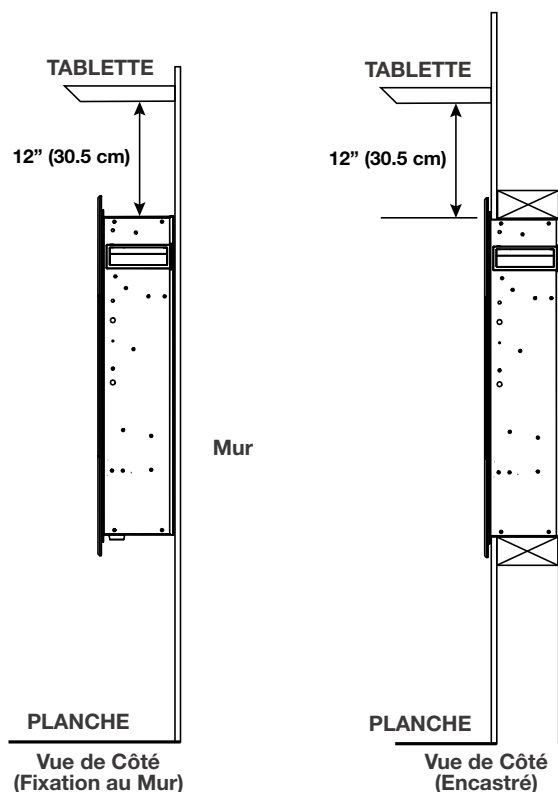
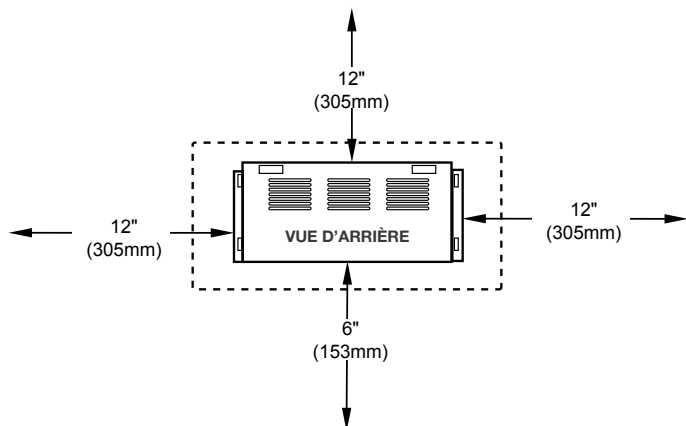
Suivez tous les codes électriques nationaux et locaux.

3.1 dégagements minimaux aux combustibles

⚠ AVERTISSEMENT

- Toujours débranchez cet appareil avant d'assemblage, de nettoyage, ou de délocalisation. Le non-respect de cette précaution peut resulter en choc électrique, incendie, ou dommages corporels.

Tous les mesures sont prises du corps de l'appareil.	
Bas	6" (153mm)
Côtés	12" (305mm)
Arrière	0"
Haut	12" (305mm) à plafond / tablette



3.2 installation d'appareil

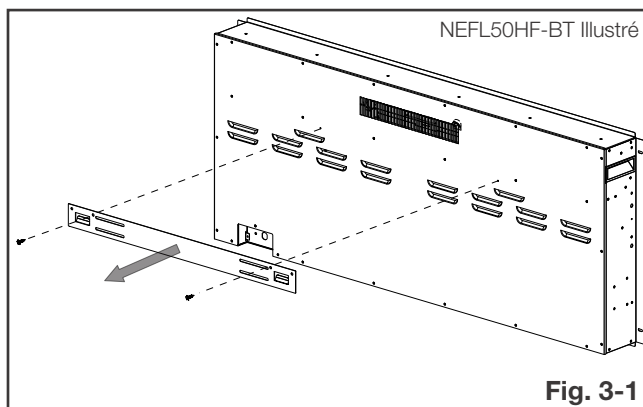
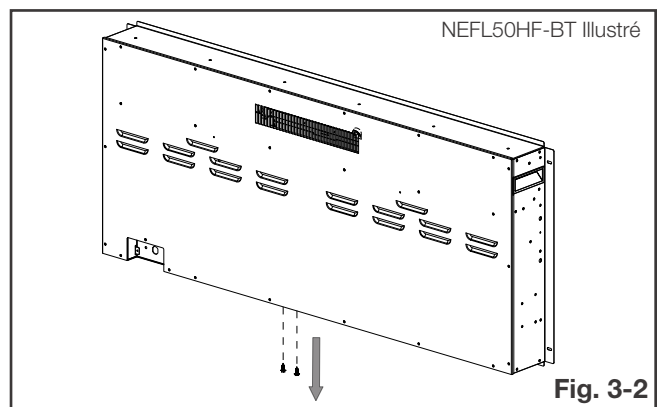
3.2.1 installation d'appareil sur mur

note:

Le support de montage est fixé à l'arrière de l'appareil.

En raison de trop de matériels finis différentes utilisés sur les murs, il est extrêmement recommandé que vous consultez votre constructeur local avant que vous installez cet appareils sur le mur.

- A. Choisissez un endroit non sujet à l'humidité et situé au moins de 3 pieds (1m) des articles combustibles, tels que les rideaux, meubles, literie, papier, etc.
- B. Retirez la façade avant (voir la section « enlèvement / installation de façade avant »).
- C. Demandez à deux personnes de tenir l'appareil contre le mur pour déterminez l'emplacement final
- D. Placez l'appareil face vers le bas sur une surface doux et non-abrasive. Retirez le support de montage de l'arrière de l'appareil en retirant les deux vis (**Fig. 3-1**). Mettez de côté le support et jettz les vis.
- E. Retirez les deux vis du bas de l'appareil (**Fig. 3-2**). Mettez de côté les vis.

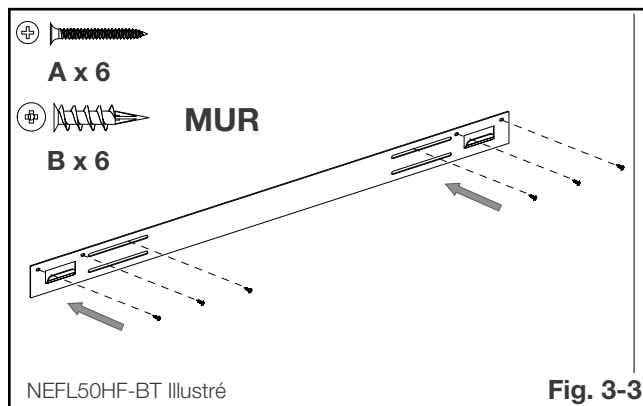
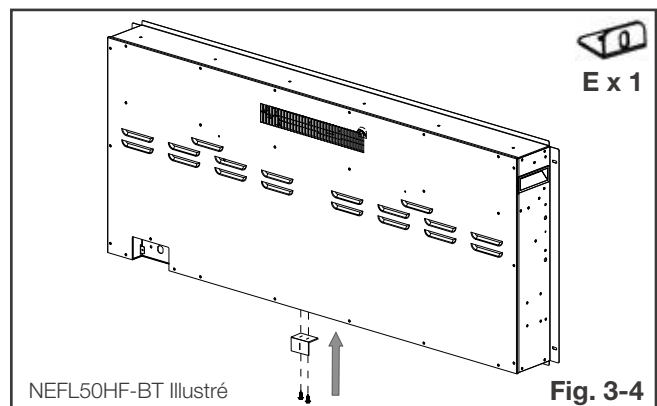

Fig. 3-1

Fig. 3-2

- F. Marquez l'emplacement, puis montez le support de montage sur le mur à l'aide des vis (fournies) (**Fig. 3-3**). Les crochets de ce support DOIT face vers le haut et le support doit être niveau.

note:

Il est fortement recommandé que le support de montage est vissé dans les poteaux mural si possible. Si les poteaux mural ne peuvent pas être utilisés, assurez-vous d'utiliser les ancrages plastique d'apposer le support au mur et que le support est sécurisé correctement.

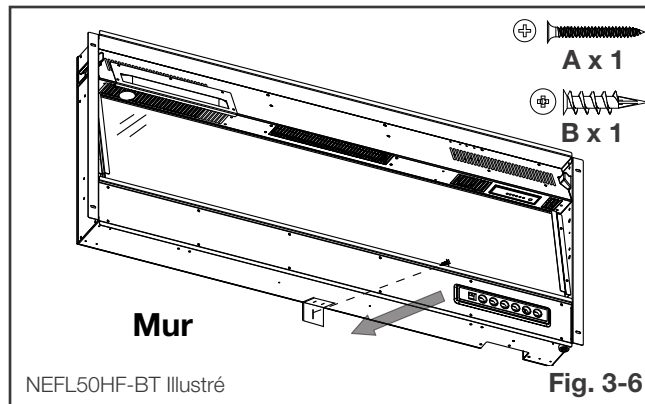
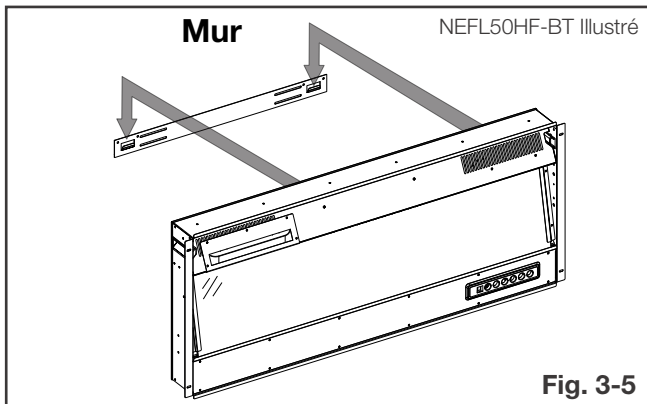
- G. À l'aide des deux vis précédemment retirées en étape E, fixez le support « L » (fourni) au bas de l'appareil (**Fig. 3-4**).


Fig. 3-3

Fig. 3-4

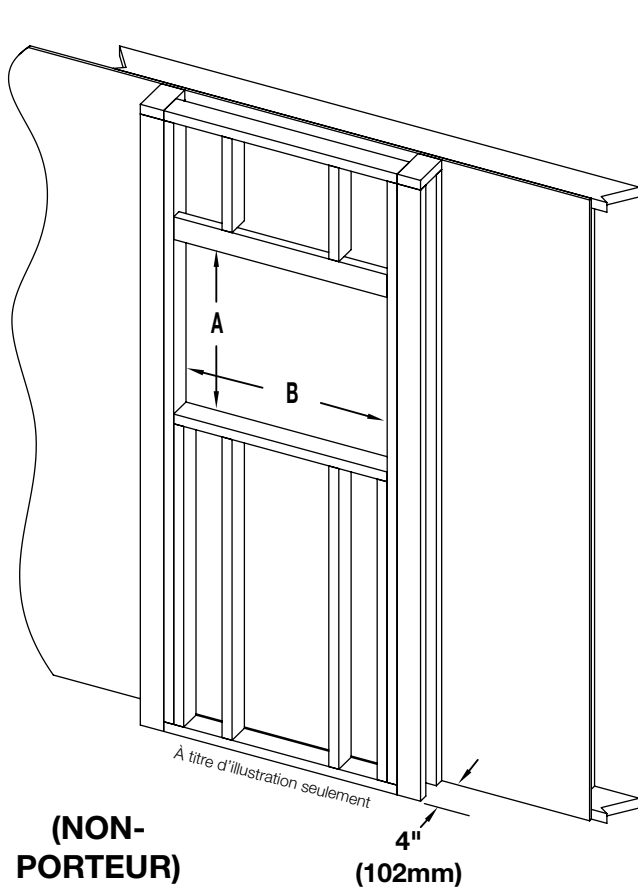
installation

FR

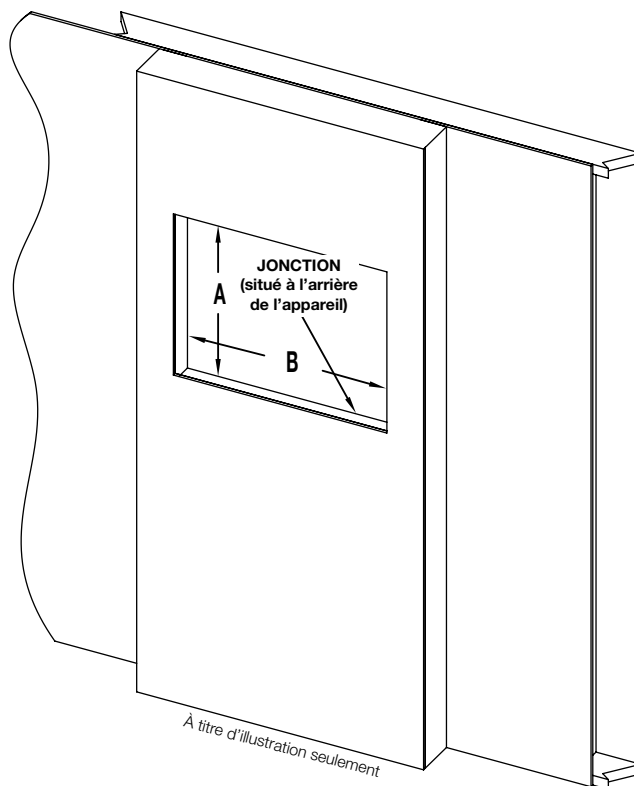
- H. Avec le support de montage installé, demandez à deux personnes de soulever l'appareil et insérez les deux crochets sur le support dans les deux fentes à l'arrière de l'appareil (**Fig. 3-5**).
- I. Vérifiez la stabilité de l'appareil. Assurez-vous que le support ne se détachera pas du mur.
- J. Installez les deux vis de bois (fournies) dans les trous du support « L » dans le mur pour prévenir l'appareil détacher des crochets (**Fig. 3-6**).
- K. Installez les médias (voir la section « finitions »).
- L. Réinstallez la façade avant.



3.2.2 ossature



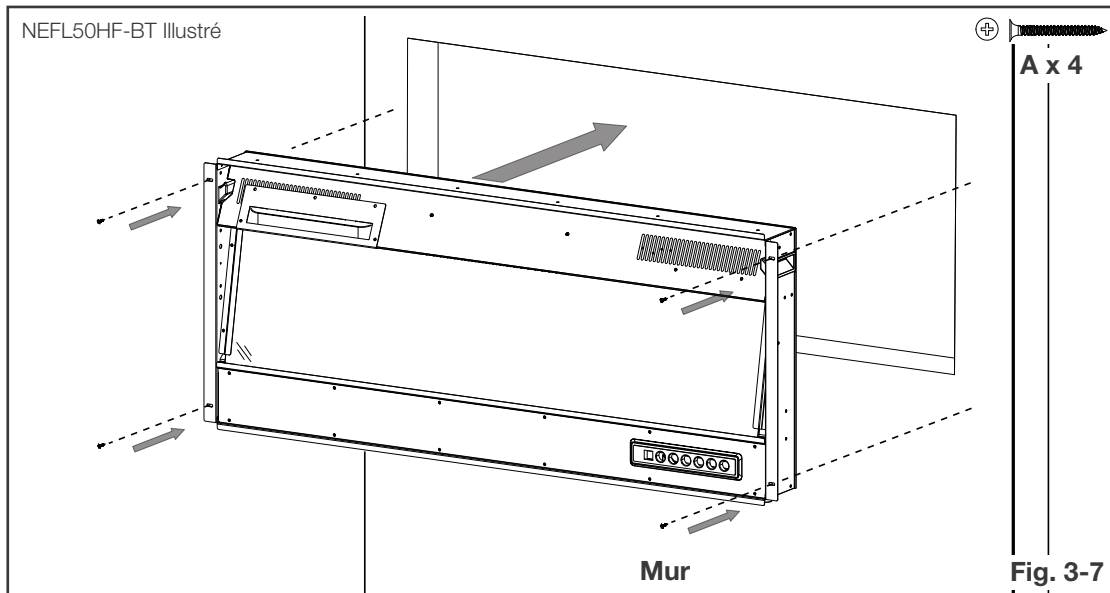
Matériaux de Finitions



	A	B
NEFL50HF-BT	19" (48.3cm)	43 7/8" (111.4cm)
NEFL60HF-BT		53 13/16" (136.7cm)
NEFL72HF-BT		65 13/16" (167.2cm)

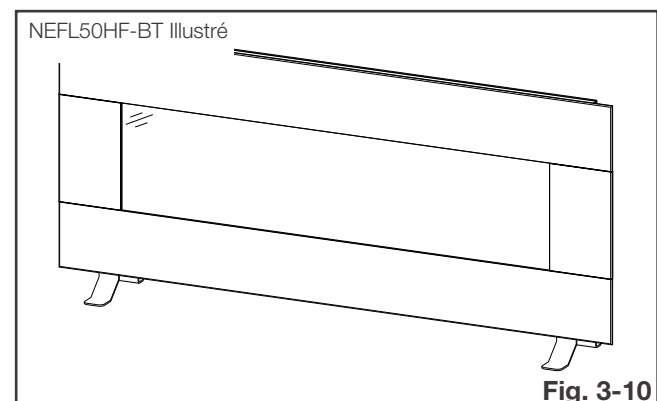
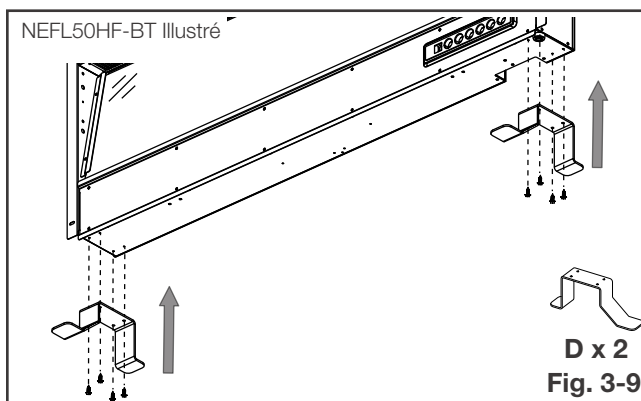
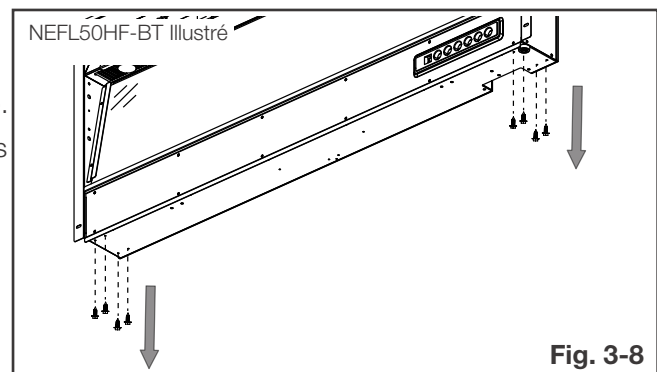
3.3.1 installation encastré

- A. Créez une ouverture pour l'appareil (voir la section « ossature » pour les détails).
- B. Retirez la façade avant (voir la section « enlèvement / installation de façade avant »).
- C. Retirez le couvercle de cordon de l'appareil (voir la section « branchement par câble »).
- D. Insérez l'appareil dans l'ouverture et complétez le branchement par câble (voir la section « branchement par câble »).
- E. Sécurisez l'appareil en place à l'aide de quatre vis (fournies) (**Fig. 3-7**).
- F. Installez les médias (voir la section « finitions »).
- G. Réinstallez la façade avant.



3.3 installation de pieds métalliques

- A. Retirez la façade avant (voir la section « enlèvement / installation de façade avant »).
- B. Retirez les huit vis du bas de l'appareil (**Fig. 3-8**).
- C. Installez les pieds métalliques à l'aide des huit vis précédemment retirées en étape B (**Fig. 3-9**).
- D. Vérifiez que les pieds sont sécurisés correctement. Assurez-vous que l'appareil est droit et immobile.
- E. Installez le média (voir la section « finitions »).
- F. Réinstallez la façade avant (**Fig. 3-10**).



4.0 information électrique

FR

4.1 installation de branchement par câble

! AVERTISSEMENT

- Coupez l'alimentation électrique à l'appareil et laissez-le refroidir avant d'effectuer un entretien. Seul un technicien de service qualifié peut effectuer l'entretien ou la réparation de cet appareil électrique.

BRANCHEMENT PAR CÂBLE

Si c'est nécessaire de faire un branchement par câble, un électricien qualifié peut retirer le cordon d'alimentation de l'appareil et brancher ce dernier directement au câblage de la maison. Le branchement du fil et de l'alimentation électrique doit être évalué à 120V minimum 15 ampères.

Cet appareil doit être raccordé électriquement et mis à la terre conformément aux codes locaux. En l'absence de tels codes, utilisez la version courante de CODE CANADIEN DE L'ELECTRICITE CSA C22.1 au Canada ou du NATIONAL ELECTRICAL CODE ANSI/NFPA 70 aux États-Unis.

- Retirez la plaque de recouvrement du côté droit inférieur de l'appareil en retirant les trois vis (**Fig. 4-1**).
- Retirez les connecteurs de fils du cordon d'alimentation (**Fig. 4-2**). Jetez le cordon d'alimentation.



Fig. 4-1



Fig. 4-2

- Installez le nouveau soulagement de traction (fourni) dans la nouvelle plaque de recouvrement (**Fig. 4-3**). Mettez les fils à travers le soulagement de traction.
- À l'aide des connecteurs de fils, branchez le fil de terre vert (G) et les fils commun blanc (N), puis branchez les fils noirs chaudes (L) (**Fig. 4-4**).
- Installez la plaque de recouvrement nouvelle à l'aide des trois vis précédemment retirées en étape 1.

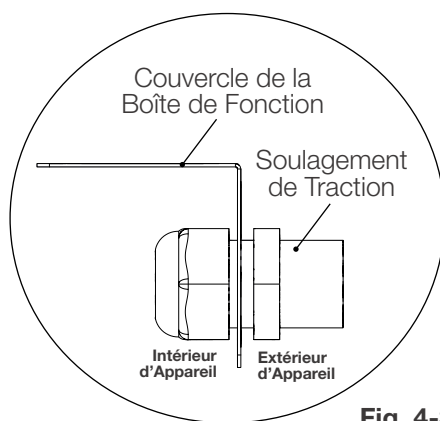


Fig. 4-3

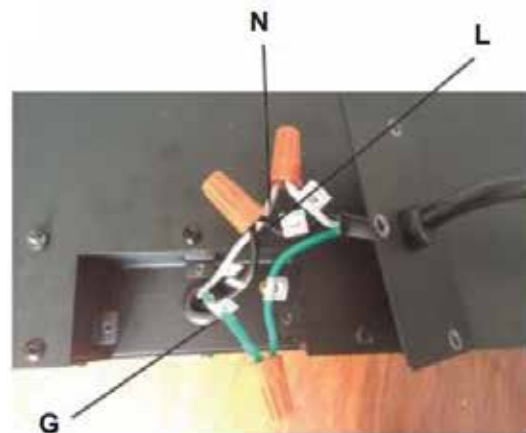
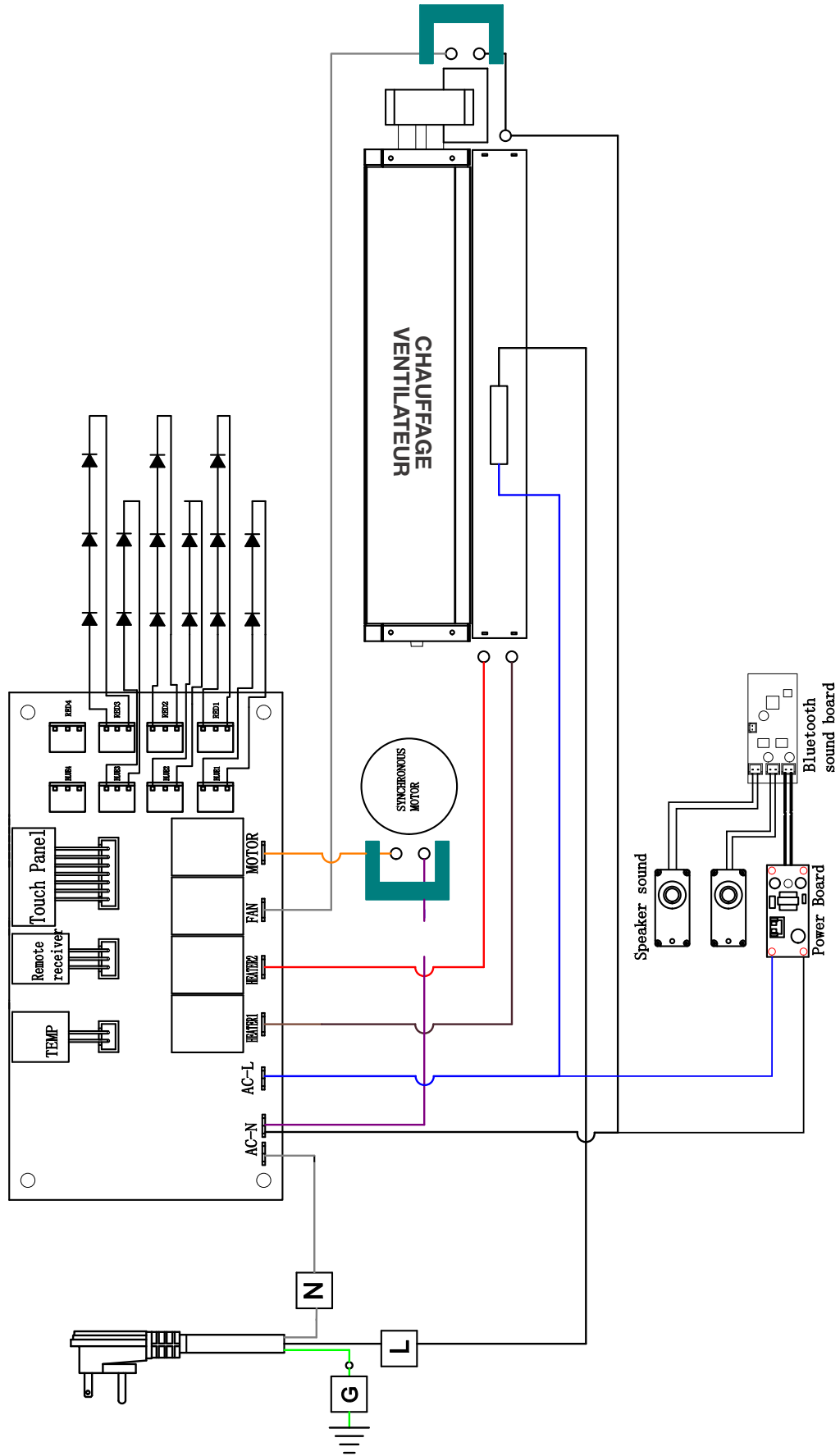
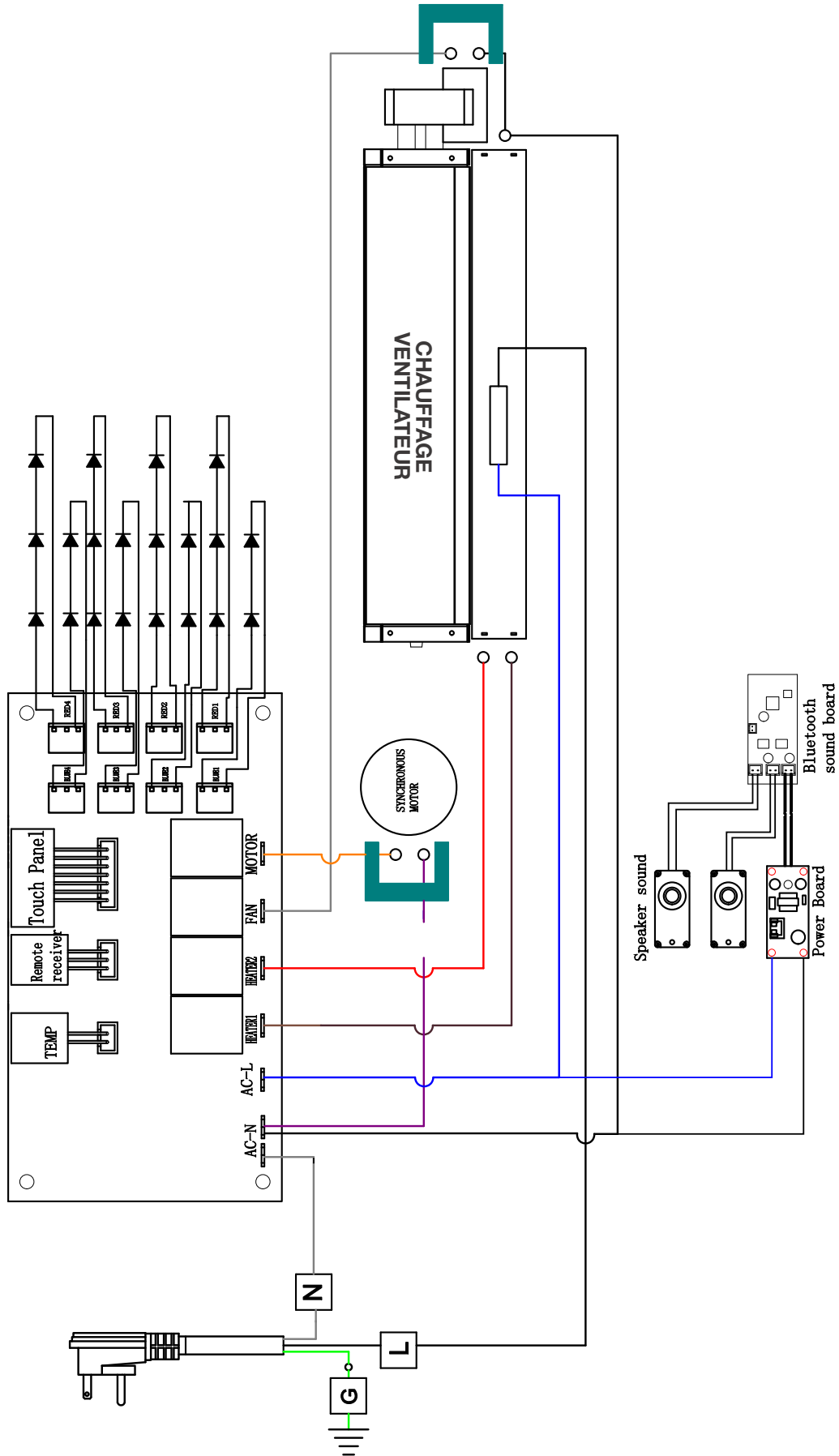


Fig. 4-4

4.2 schéma de câblage pour NEFL50HF-BT



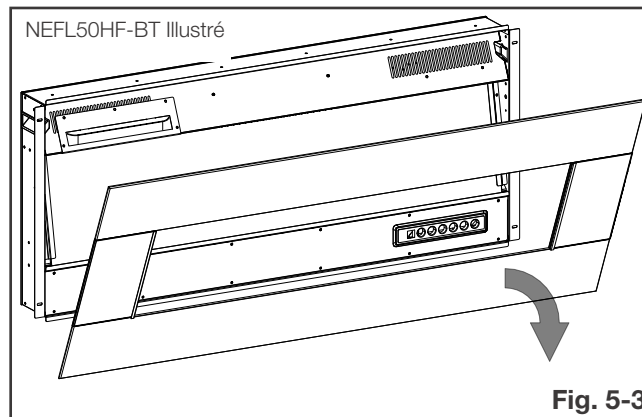
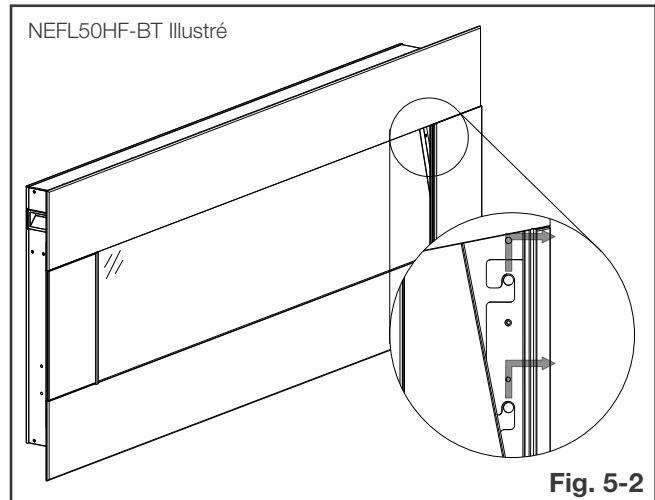
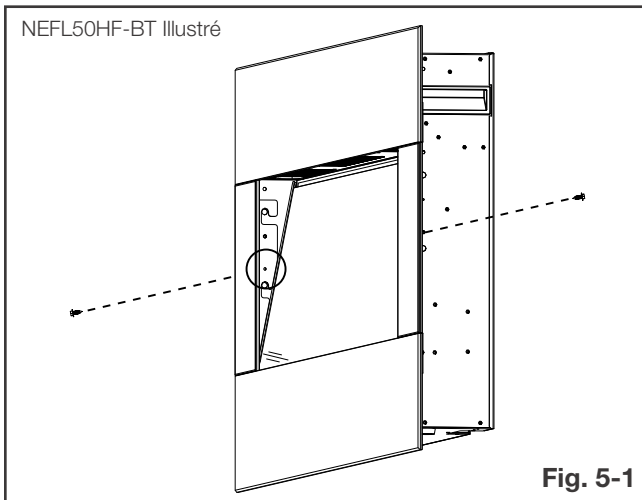


! AVERTISSEMENT

- Le raccordement par câble doit être complété avant la finition afin d'éviter toute reconstruction.
- Les entrées d'air et les sorties d'air de l'appareil ne doivent jamais être couvertes.

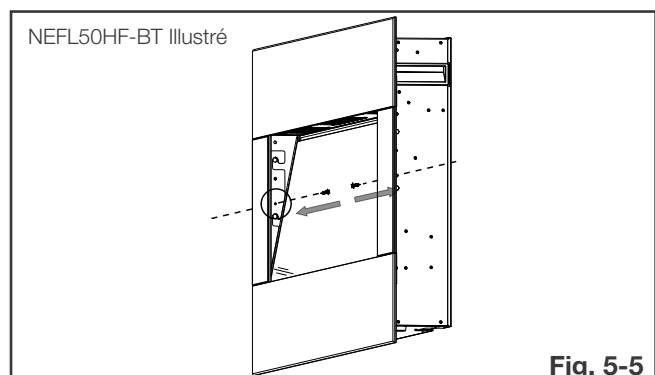
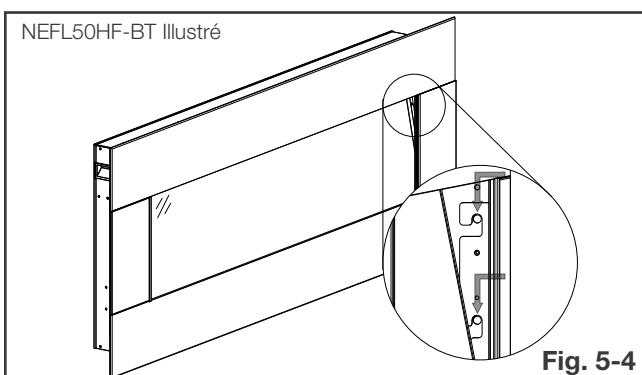
5.1 enlèvement / installation de façade avant

- Retirez les deux vis servant à fixer la façade avant en place (**Fig. 5-1**).
- Soulevez la façade avant de l'appareil (**Fig. 5-2**).
- Placez la façade avant face vers le bas sur une surface doux et non-abrasive (**Fig. 5-3**).
- Inversez ces étapes d'installer la façade avant.



5.1.1 installation de façade avant pour installation encastré

- Soulevez la façade avant sur l'appareil (**Fig. 5-4**).
- Fixez la façade avant en place en installant deux vis de l'intérieur à l'extérieur de l'appareil (**Fig. 5-5**).

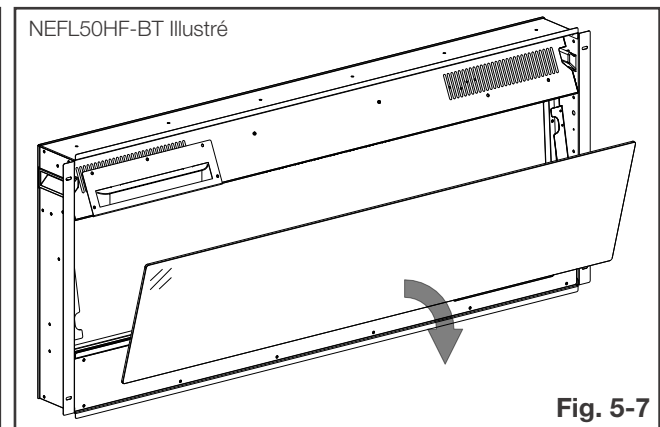
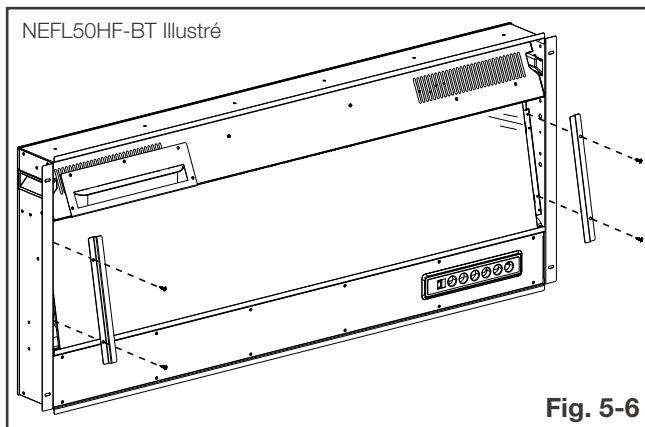


5.2 enlèvement / installation de verre

! AVERTISSEMENT

- La vitre peut être chaude. Ne touchez pas la vitre jusqu'à ce qu'elle ait refroidi.
- Si équipé avec les loquets de porte qui font partie d'un dispositif de sécurité, ils doivent être adéquatement verrouillés. Ne faites pas fonctionner l'appareil lorsque les loquets sont déverrouillés.
- Les matériaux de façade et de finition ne doivent pas nuire à la circulation de l'air dans les ouvertures d'air et les persiennes, ni au fonctionnement des persiennes ou des portes ni l'accès pour l'entretien. Respectez tous les dégagements aux matériaux combustibles
- Avant d'enlever la porte, éteignez l'appareil et attendez que ce dernier soit froid au toucher. Les portes sont lourdes et fragiles; manipulez avec soin.

- Retirez la façade avant (voir la section « enlèvement / installation de façade avant »).
- Retirez les quatre vis servant à fixer les supports de fixation de verre en place, puis retirez les supports et les mettez de côté (**Fig. 5-6**).
- Retirez le verre et le placez face vers le bas sur une surface douce et non-abrasive (**Fig. 5-7**).
- Inversez ces étapes d'installer le verre.



5.3 installation de média en cristal / média en verre pare-feu

La façade avant et le verre doivent être enlevés et l'appareil doit être monté dans son emplacement final avant d'installer les cristaux/média en verre pare-feu (voir la section « enlèvement / installation de façade avant »).

- Nettoyez le média en cristal/média en verre pare-feu** avec un porte-savon doux, égouttez, rincez à fond, et séchez avant de le placer dans le plateau à média.
- Soigneusement placez le média en cristal/média en verre pare-feu dans le fond du plateau à média à la face de l'appareil comme illustré. Appliquez une couche uniforme d'un côté à l'autre.
- Réinstallez le verre (voir la section « enlèvement / installation de verre »).
- Réinstallez la façade avant.



MÉDIA EN VERRE
PARE-FEU



MÉDIA EN CRISTAL

! AVERTISSEMENT

- Assurez-vous que les disjoncteurs de la maison pour ce circuit soient allumés. Lorsque vous connectez l'appareil d'une source d'alimentation pour la première fois, l'appareil va effectuer un vérification des DELs. L'appareil va clignoter allume et éteint pendant 5 seconds.
- Ne déplacez ou enlevez pas le panneau en verre lorsque l'appareil est branché et lorsque qu'il fonctionne. Cela causera la télécommande et le panneau tactile de mal fonctionner.

Une fois que l'appareil est branché dans une prise de courant mise à la terre ou câblé d'une source d'alimentation dédié 120V, il est prêt à fonctionner.

6.1 fonctionnement de panneau de contrôle tactile et télécommande

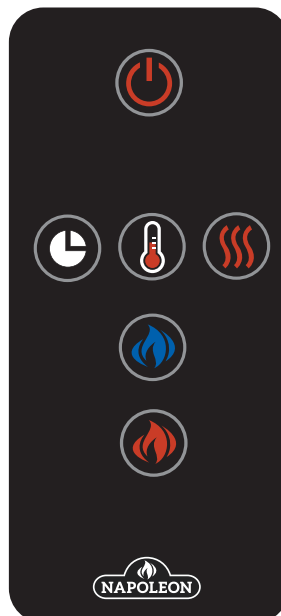
Cet appareil électrique peut être utilisé avec un panneau de contrôle tactile, ou avec un télécommande alimentées par piles. Le fonctionnement est la même pour les deux méthodes.

note:

La panneau de contrôle tactile est montré by les DELs sur le coin inférieur à droit de l'appareil. Les DELs disparaîtront après 10 seconds de pas de changement de fonction. Le bouton d'alimentation principal sera faible.









Panneau de Contrôle



Télécommande

instructions de fonctionnement

FR

<p>Alimentation</p>		<p>Allume / éteint l'appareil.</p>																										
<p>Flamme Orange</p>		<p>Contrôle la luminosité de la flamme orange.</p> <p>6 Réglages: F5 - Flamme la plus brillante F4 F3 F2 F1 F0 - OFF</p> <p style="text-align: center;">↓</p>																										
<p>Flamme Bleu</p>		<p>Contrôle la luminosité de la flamme bleu.</p> <p>6 Réglages: F5 - Flamme la plus brillante F4 F3 F2 F1 F0 - OFF</p> <p style="text-align: center;">↓</p>																										
<p>Chauffage</p>		<p>Allume / éteint le chauffage et ventilateur.</p> <p>4 Réglages: H0 - Chauffage et ventilateur éteint BL - Ventilateur allume H1 - Chauffage souffle d'air chaude (750W) H2 - Chauffage souffle d'air très chaude (1500W)</p> <p>NOTE: Le chauffage cycle de H0-BL-H1-H2. Pour verrouiller le chauffage et le réglage de température, appuyez et maintenez le bouton de chauffage pendant 5s. Appuyez et maintenez le bouton encore pendant 5s de déverrouiller.</p>																										
<p>Minuterie</p>		<p>Contrôle la minuterie.</p> <p>10 Réglages: 30 (min), 1H, 2H, 3H, 4H, 5H, 6H, 7H, 8H, et 00. Appuyez le bouton jusqu'à ce que le réglage souhaité soit atteint.</p>																										
<p>Température</p>		<p>Contrôle la température.</p> <p>1. Appuyez une fois pour activer la panneau de contrôle tactile. 2. Appuyez encore jusqu'à ce que le réglage souhaité soit atteint. L'affichage digital présent les cercles de réglages comme si-dessous:</p> <table border="1" data-bbox="748 1583 1294 1648"> <tr> <td>Température</td> <td>°C</td> <td>18</td> <td>19</td> <td>20</td> <td>21</td> <td>22</td> <td>23</td> <td>24</td> <td>25</td> <td>26</td> <td>27</td> <td>C</td> </tr> <tr> <td></td> <td>°F</td> <td>64</td> <td>66</td> <td>68</td> <td>70</td> <td>72</td> <td>74</td> <td>76</td> <td>78</td> <td>80</td> <td>82</td> <td>F</td> </tr> </table> <p>NOTE: Appuyez et maintenez le bouton pendant 5s de changer la température de °C à °F, et vice versa.</p>	Température	°C	18	19	20	21	22	23	24	25	26	27	C		°F	64	66	68	70	72	74	76	78	80	82	F
Température	°C	18	19	20	21	22	23	24	25	26	27	C																
	°F	64	66	68	70	72	74	76	78	80	82	F																

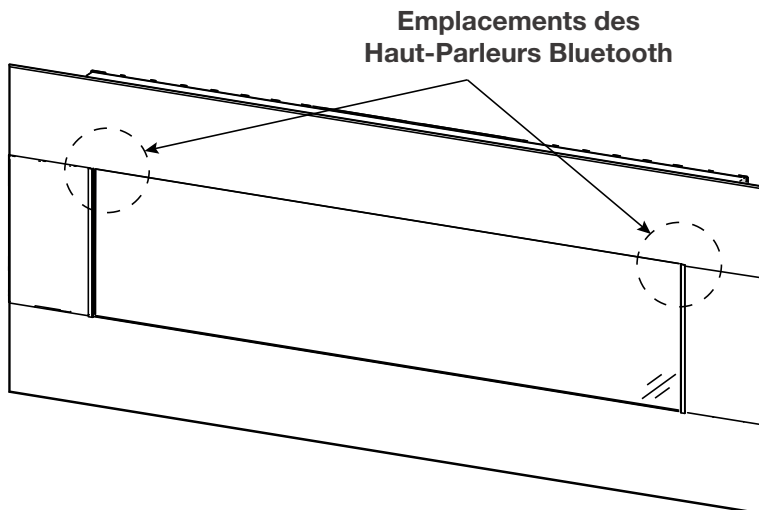
note:

D'améliorer le fonctionnement, dirigez la télécommande vers la face de l'appareil. NE PAS appuyez les boutons trop vite. Donnez à l'appareil le temps de répondre à chaque commande.

6.2 connexion de haut-parleurs Bluetooth

Cet appareil est équipé avec des haut-parleurs Bluetooth. Ils n'exigent pas une « App » (application), et ils vont jouer de la musique sur l'appareil mobile comme un haut-parleur sans fil.

1. Lorsque l'appareil est branché, utilisez votre appareil mobile de chercher pour la réception Bluetooth appelée « Napoleon Bluetooth ».
2. Connectez avec la réception « Napoleon Bluetooth ». Vous entendrez un bruit de l'appareil si la connexion est efficace.



6.3 installation de pile de télécommande

! AVERTISSEMENT

- Cette télécommande nécessite des piles bouton qui sont dangereuses pour les jeunes enfants.
- **AVERTISSEMENT! GARDEZ DES PILES DE LA PORTÉE DES ENFANTS.**
- L'ingestion peut entraîner des blessures graves ou la mort dans moins de 2 heures, en raison des brûlures chimiques et de la perforation potentielle de l'oesophage.
- Si vous pensez que votre enfant a avalé ou inséré une pile bouton, recherchez immédiatement une assistance médicale urgente.
- Examinez les appareils et assurez-vous que le compartiment de la pile est bien fixé que la vis ou autre attache mécanique est serrée. Ne pas utiliser si le compartiment n'est pas sécurisé.
- Éliminez les piles bouton usagées immédiatement et en toute sécurité. Les piles plates peuvent encore être dangereuses.
- Enseignez aux autres les risques associés aux piles bouton et la façon de garder leurs enfants en sécurité.



note:

La télécommande dispose d'une languette en plastique amovible pour prolonger la durée de vie de la batterie pendant d'expédition. Retirez la languette de la télécommande pour fonctionner.

1. Pour remplacer la pile existante, retirez la sauvegarde de pile.
2. Pour retirer la sauvegarde de pile, tournez la télécommande sur le côté avant. Faites glisser la sauvegarde de pile vers l'extérieur.
3. Remplacez la sauvegarde de pile existante avec une pile nouvelle (type CR 2025). Faites glisser la sauvegarde de pile dans sa position originale.
4. La sauvegarde de pile est bien fixé à la télécommande lorsque vous entendez un « CLIC ».

note:

Cette télécommande doit rester à moins de 5 mètres (17 pieds) de l'appareil pour être efficace. Cette plage peut être réduite lorsque l'énergie de la pile est épuisée. La télécommande doit être dirigée vers le centre de l'appareil pour qu'elle fonctionne le plus efficacement.



instructions de fonctionnement

FR

6.4 contrôle de limite de température

AVERTISSEMENT

- Ne jamais utilisez des piles dans un feu. Le non-respect de cette précaution peut ressembler dans une explosion. Jetez les piles à votre centre de traitement de matière dangereuse local.

Le chauffage est équipé avec un contrôle de limite de la température. Si le chauffage atteint une température dangereuse, le chauffage s'éteindra automatiquement. Pour réinitialiser:

1. Débranchez le cordon d'alimentation de la prise de courant.
2. Tournez l'interrupteur d'alimentation sur la panneau tactile à « OFF ». Attendez 5 minutes.
3. Inspectez l'appareil pour s'assurer qu'aucun événement n'est obstrué ou obstrué par la poussière, la charpie, etc. S'il y a lieu, utilisez un aspirateur de nettoyer les zones d'événements.
4. Avec l'interrupteur d'alimentation en la position « OFF », branchez le cordon d'alimentation dans la prise de courant.
5. Si ce problème persiste, faites inspecter votre prise de courant et le câblage par un professionnel.

7.0 entretien

7.1 nettoyage

AVERTISSEMENT

- Toujours désactivez le chauffage et débranchez le cordon d'alimentation de nettoyage, d'entretien, ou de délocalisation. Le non-respect de cette précaution peut ressembler en choc électrique, incendie, ou dommages corporels.
- Ne jamais immergez dans l'eau ou vaporisez avec de l'eau. Cela pourrait entraîner dans choc électrique, feu, ou dommages corporels.

Métal:

- Polissez à l'aide d'un chiffon doux et humidifié un peu avec un produit à base d'huile d'agrumes.
- N'utilisez pas du polissage de laiton ou des nettoyeurs ménagers parce-que ces produits endommageront la garniture en métal.

Verre:

- Utilisez un nettoyeur de bon qualité sur un chiffon ou serviette. Essayez à fond avec une serviette en papier ou un chiffon non pelucheux.
- Ne jamais utilisez les nettoyeurs abrasifs, les sprays liquides, ou tout nettoyeur qui peut gratter la surface.

Événements:

- Utilisez un aspirateur ou chiffon d'enlever la poussière et la saleté du chauffage et les zones d'événements.

Plastique:

- Essayez doucement avec un chiffon humidifié et une mélange doux de porte-savon et de l'eau chaud.
- Ne jamais utilisez les nettoyeurs abrasifs, les sprays liquides, ou tout nettoyeur qui peut gratter la surface.

AVERTISSEMENT

- Omettre de positionner les pièces conformément à ce manuel ou d'utiliser uniquement des pièces spécifiquement approuvées pour cet appareil peut causer des dommages matériels ou des blessures corporelles.

Contactez votre détaillant pour les questions concernant les prix et la disponibilité des pièces de remplacement. Normalement, toutes les pièces peuvent être commandées chez votre détaillant autorisé.

Pour un remplacement de pièce sous garantie, une photocopie de la facture originale sera requise afin de pouvoir honorer la demande.

Lorsque vous commandez des pièces, donnez toujours l'information suivante:

- Modèle et numéro de série de l'appareil
- Date d'installation de l'appareil
- Numéro de la pièce
- Description de la pièce
- Fini

Pièces, numéro des pièces et s'il soit disponible peut changer sans préavis.

Parties identifiées comme garnie seront livrés dans 2 à 5 jours pour la plupart des destinations de livraison.

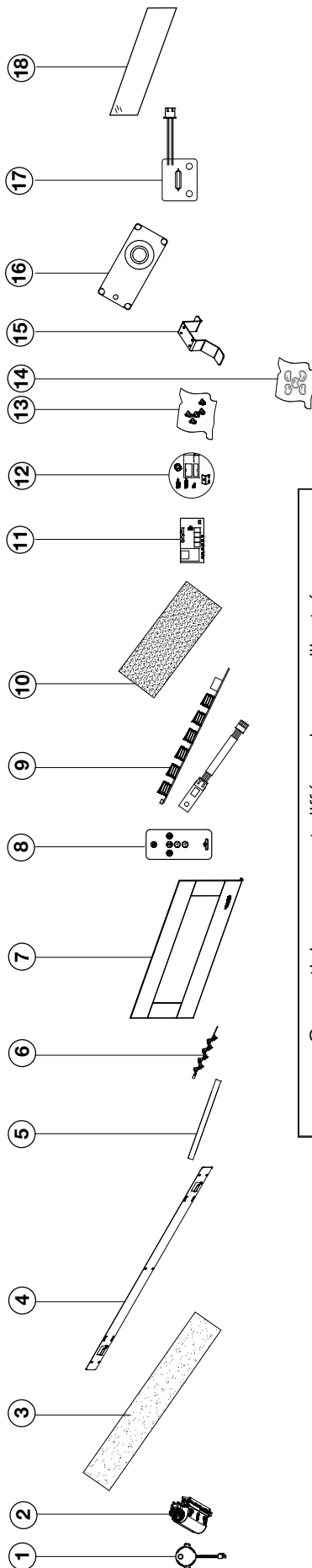
Pièces non identifiées que stockés seront livrés dans un délai de 2 à 4 semaines pour la plupart des cas.

Pièces identifiées comme « SO » sont commande spéciale et peuvent prendre jusqu'à 90 jours pour la livraison.

note:

Des précautions doivent être prises lors de l'élimination et de l'élimination de tout verre brisé ou de composants endommagés. Assurez-vous d'aspirer tout verre brisé de l'intérieur avant l'opération.

8.1 vue d'ensemble de NEFL50HF-BT

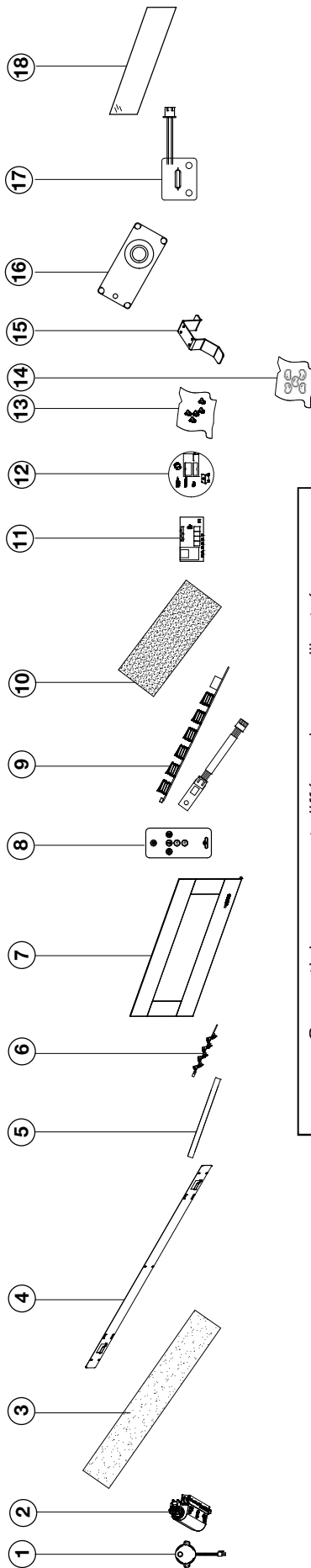


Ces articles peuvent différer de ceux illustrés.

Réf.	No. de Pièce	Description	En Stock
1	W435-0099-SER	Moteur synchrone	Oui
2	W010-4601-SER	Assemblage de soufflerie et chaleur	Oui
3	W497-1593-SER	Bande en plastique	Oui
4	W080-1616-SER	Support de montage mural	Oui
5	W405-0033	Bande de lumière DEL (orange & bleu)	Oui
6	W527-0035-SER	Réflecteur	Oui
7	W715-1235-SER	Façade frontale	Oui
8	W190-0158-SER	Télécommande	Oui

Réf.	No. de Pièce	Description	En Stock
9	W475-1184	Panneau de commande tactile (avec récepteur à distance)	Oui
10	W497-1595-SER	Panneau en plastique acrylique	Oui
11	W190-0096	Circuit imprimé	Oui
12	W370-0173-SER	Ensemble de quincaillerie	Oui
13	W497-1597-SER	Cristal	Oui
14	W497-1649	Média de verre pare-feu	Oui
15	W035-0498-SER	Pied métallique	Oui
16	W616-0001-SER	Haut-parleur Bluetooth	Oui
17	W690-0021	Thermostat	Oui
18	W300-0302-SER	Verre frontale	Oui

8.2 vue d'ensemble de NEFL60HF-BT

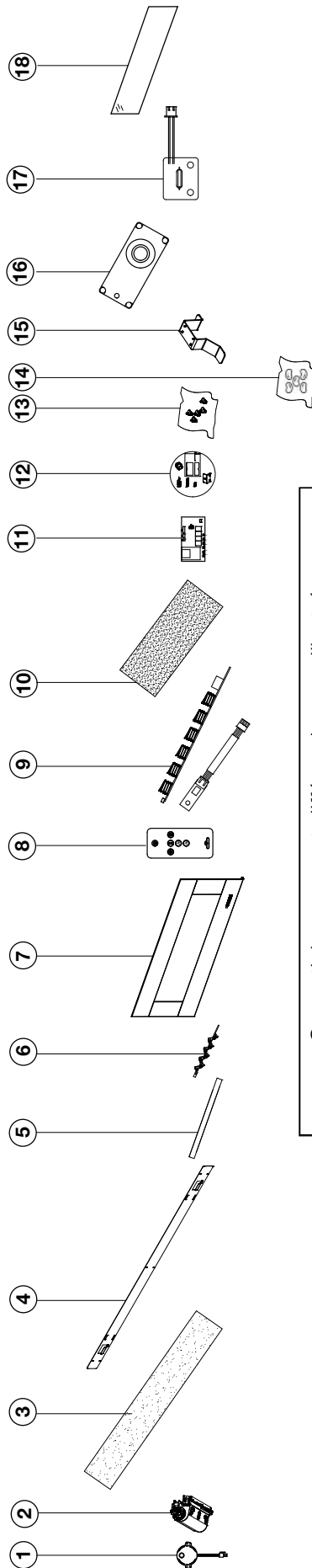


Ces articles peuvent différer de ceux illustrés.

Réf.	No. de Pièce	Description	En Stock
1	W435-0099-SER	Moteur synchrone	Oui
2	W010-4601-SER	Assemblage de soufflerie et chateur	Oui
3	W497-1642	Bande en plastique	Oui
4	W080-1616-SER	Support de montage mural	Oui
5	W405-0033	Bande de lumière DEL (orange & bleu)	Oui
6	W527-0049	Réflecteur	Oui
7	W715-1296	Façade frontale	Oui
8	W190-0158-SER	Télécommande	Oui

Réf.	No. de Pièce	Description	En Stock
9	W475-1184	Panneau de commande tactile (avec récepteur à distance)	Oui
10	W497-1644	Panneau en plastique acrylique	Oui
11	W190-0096	Circuit imprimé	Oui
12	W370-0272	Ensemble de quincaillerie	Oui
13	W497-1647	Cristal	Oui
14	W497-1650	Média de verre pare-feu	Oui
15	W035-0498-SER	Pied métallique	Oui
16	W616-0001-SER	Haut-parleur Bluetooth	Oui
17	W690-0021	Thermostat	Oui
18	W300-0395	Verre frontale	Oui

8.3 vue d'ensemble de NEFL72HF-BT



Ces articles peuvent différer de ceux illustrés.

Réf.	No. de Pièce	Description	En Stock
1	W435-0099-SER	Moteur synchrone	Oui
2	W010-4601-SER	Assemblage de soufflerie et chaleur	Oui
3	W497-1643	Bande en plastique	Oui
4	W080-1616-SER	Support de montage mural	Oui
5	W405-0033	Bande de lumière DEL (orange & bleu)	Oui
6	W527-0050	Réflecteur	Oui
7	W715-1297	Façade frontale	Oui
8	W190-0158-SER	Télécommande	Oui

Réf.	No. de Pièce	Description	En Stock
9	W475-1184	Panneau de commande tactile (avec récepteur à distance)	Oui
10	W497-1645	Panneau en plastique acrylique	Oui
11	W190-0096	Circuit imprimé	Oui
12	W370-0273	Ensemble de quincaillerie	Oui
13	W497-1648	Cristal	Oui
14	W497-1651	Média de verre pare-feu	Oui
15	W035-0498-SER	Pied métallique	Oui
16	W616-0001-SER	Haut-parleur Bluetooth	Oui
17	W690-0021	Thermostat	Oui
18	W300-0396	Verre frontale	Oui

AVERTISSEMENT

- Coupez l'alimentation électrique à l'appareil et laissez-le refroidir avant d'effectuer un entretien. Seulement un technicien de service qualifié peut effectuer l'entretien ou la réparation de cet appareil électrique.

symptôme	problème	solution
L'appareil ne s'allume pas lorsque l'interrupteur est mis à « on ».	L'appareil n'est pas branché dans une prise de courant.	Vérifiez la prise, et branchez dans l'appareil si nécessaire.
	Branchement par câble sont incorrectes.	Voir la section « branchement par câble ».
	L'appareil a surchauffé et le dispositif de sécurité a entraîné le déclenchement de l'interrupteur thermique.	Débranchez l'appareil et le disjoncteur, laissez-le refroidir pendant 15 minutes, puis branchez l'appareil ou allumez le disjoncteur.
	Issue avec le panneau PCB principal.	Inspectez la carte de circuit imprimé et remplacez-le si nécessaire.
L'appareil s'éteint et ne se rallume pas.	Le disjoncteur de la maison s'est déclenché.	Réinitialisez le disjoncteur.
	Le fusible de l'appareil a éteint.	Remplacez le fusible.
	L'appareil a surchauffé et le dispositif de sécurité a entraîné le déclenchement de l'interrupteur thermique.	Débranchez l'appareil et le disjoncteur, laissez-le refroidir pendant 15 minutes, puis branchez l'appareil ou allumez le disjoncteur.
L'appareil est revenue à les paramètres par défaut.	Panne de courant.	Reprogramme l'appareil au paramètres d'origine (pas applicable avec tous les appareils).
La télécommande ne fonctionne pas.	Les piles sont faibles.	Remplacez les piles de la télécommande.
	Dysfonctionnement du récepteur à distance.	Assurez-vous que le récepteur à distance n'est pas bloqué. Remplacez le panneau.
L'appareil n'émet aucune chaleur.	Réglage du chauffage n'est pas sélectionné.	Voir la section « fonctionnement ».
	Le chauffage a été verrouillé.	Voir la section « fonctionnement ».
	La température ambiante est plus élevée que le réglage de l'appareil (si réglée au température de la chambre).	Réinitialisez le réglage pour la température.
	L'appareil a surchauffé et le dispositif de sécurité a entraîné le déclenchement de l'interrupteur thermique.	Débranchez l'alimentation ou éteignez le disjoncteur. Laissez l'appareil refroidir pendant 15 minutes.
	Branchement par câble sont incorrectes.	Voir la section « branchement par câble ».
	Problème avec le chauffage.	Inspectez la soufflerie and le chauffage, et les remplacez si nécessaire.
La chauffage s'éteint automatiquement.	La salle est trop chaude.	L'appareil est équipé d'un thermostat intégré et s'éteindra automatiquement lorsque la température programmée sera atteinte. Il s'allumera automatiquement lorsque la température de la pièce descendra en dessous de la température programmée.

guide de dépannage

FR

symptôme	problème	solution
La luminosité du jeu de flammes est faible ou inexistante.	Éclat de flamme n'est pas sélectionné.	Voir la section « fonctionnement ».
	Problème avec les flamme DELs.	Vérifiez les DELs et remplacez-les si nécessaire.
	Problème avec le panneau PCB principal.	Vérifiez le panneau PCB principal et remplacez-le si nécessaire.
La flamme ne bouge pas.	Le moteur est calé / ne fonctionne pas	Cycle de marche / arrêt. Si le problème persiste, consultez votre détaillant.

Les appareils électriques **Napoléon** sont fabriqués conformément aux normes strictes du Système de Gestion de la Qualité mondialement reconnu ISO 9001 : 2015.

Les produits **Napoléon** sont conçus avec des composants et des matériaux de qualité supérieure, assemblés par des artisans qualifiés qui sont fiers de leur travail. Une fois assemblé, chaque appareil est soigneusement inspecté par un technicien, une agence de service ou un distributeur qualifié(e) et autorisé(e) avant d'être emballé pour garantir que vous, le client, recevez le produit de qualité dont vous vous attendez de **Napoléon**.

Garantie Standard Des Appareils Électriques Napoléon

Les composants électriques et les pièces soumises à l'usure sont couverts et **Napoléon** fournira gratuitement les pièces de rechange durant la première année de la garantie standard. Ceci couvre: le ventilateur/l'appareil de chauffage, les moteurs, les interrupteurs, les roulements à billes en nylon, les télécommandes et les lumières de DEL.*

Les ampoules et fusibles NE SONT PAS couverts par la garantie.

Les coûts de main-d'œuvre relatifs aux réparations garanties ne sont pas couverts.

*La fabrication de chaque modèle varie. La garantie s'applique uniquement aux composants disponibles avec votre appareil spécifique.

Conditions et Limitations

Napoléon garantit ses produits contre les défauts de fabrication à l'acheteur d'origine seulement. L'enregistrement de la garantie n'est pas nécessaire. Fournissez simplement une preuve d'achat ainsi que le modèle et le numéro de série afin d'effectuer une réclamation de garantie. L'achat doit avoir été fait par l'entremise d'un détaillant **Napoléon** autorisé et sous réserve des conditions et limitations suivantes:

La couverture de la garantie débute à partir de la date d'installation originale.

Cette garantie du fabricant n'est pas transférable et ne peut être prolongée par aucun de nos représentants.

L'installation doit être faite conformément aux instructions d'installation incluses avec le produit et à tous les codes d'incendie et de construction locaux et nationaux.

Cette garantie standard ne couvre pas les dommages causés par un mauvais usage, un manque d'entretien, un accident, des altérations, des abus, ou de la négligence, et l'installation de pièces d'autres fabricants annulera cette garantie.

Cette garantie standard ne couvre pas non plus les égratignures, les bossellements, la corrosion ou la décoloration causée par une chaleur excessive, des produits d'entretien chimiques et abrasifs, ou l'écaillage de pièces en porcelaine émaillée, le bris par manipulation des bûches PHAZER^{MD}.

Au cours de la première année seulement, cette garantie s'étend à la réparation ou au remplacement des pièces garanties dont les matériaux ou la fabrication sont défectueux à la condition que le produit ait été utilisé conformément aux instructions de fonctionnement et dans des conditions normales.

Napoléon ne sera pas responsable de l'installation, de la main d'œuvre, ou autres coûts ou dépenses relatives à la réinstallation d'une pièce garantie, et de telles dépenses ne sont pas couvertes par cette garantie. Nonobstant toutes les dispositions contenues dans cette garantie standard, la responsabilité de **Napoléon** sous cette garantie est définie comme ci-dessus et elle ne s'étendra à aucun dommage accidentel, consécutif, ou indirect.

Cette garantie définit l'obligation et la responsabilité de **Napoléon** en ce qui concerne l'appareil électrique **Napoléon**.

Toute autre garantie énoncée ou implicite en ce qui concerne ce produit, ses composants ou accessoires est exclue.

Napoléon n'endosse, ni n'autorise aucun tiers à assumer en son nom, toutes autres responsabilités concernant la vente de ce produit.

Tous dommages causés à l'appareil, aux garnitures en laiton ou autres composants par l'eau, les dommages causés par les intempéries, de longues périodes d'humidité, la condensation, des produits chimiques, ou produits d'entretien nuisibles ne seront pas la responsabilité de **Napoléon**.

Napoléon se réserve le droit de demander à son représentant d'inspecter tout produit ou pièce avant d'honorer toute réclamation.

Toutes les pièces remplacées en vertu de la politique de la garantie standard ne peuvent faire l'objet que d'une seule réclamation.

Toutes les pièces remplacées au titre de la garantie seront couvertes pour une période de 90 jours à partir de leur date d'installation.

Le fabricant peut exiger que les pièces défectueuses ou les produits soient retournés ou que des photos numériques soient fournies pour valider la réclamation. Les produits retournés doivent être expédiés port payé au fabricant pour une inspection en usine. Si un produit est déclaré défectueux, le fabricant le réparera ou le remplacera.

Avant d'expédier votre appareil ou les pièces défectueuses, votre détaillant doit obtenir un numéro d'autorisation. Toute marchandise expédiée à notre usine sans autorisation sera refusée et retournée à l'expéditeur.

Les coûts d'expédition ne sont pas couverts par cette garantie.

Des frais de service supplémentaires peuvent être appliqués si vous cherchez à obtenir des services au titre de la garantie auprès d'un détaillant.

Toutes les spécifications et les conceptions sont sujettes à modifications sans préavis en raison des améliorations constantes apportées aux produits. **Napoléon** est une marque de commerce déposée de Wolf Steel Ltée.

NAPOLÉON CÉLÈBRE PLUS DE 40 ANS D'EXISTENCE CONSACRÉS À LA CONCEPTION DE PRODUITS DE CONFORT



7200, Route Transcanadienne, Montréal, Québec H4T 1A3
24 Napoleon Road, Barrie, Ontario, Canada L4M 0G8
214 Bayview Drive, Barrie, Ontario, Canada L4N 4Y8
103 Miller Drive, Crittenden, Kentucky, USA 41030
De Riemsdijk 22, 4004 LC Tiel, Pays-Bas

Téléphone: 1-866-820-8686

napoleon.com