

**Superior**  
FIREPLACES®  
*Our name is our promise.*



The WCT6920 high efficiency, EPA-certified wood burning fireplace with advanced combustion system technology and variable combustion air control delivers clean and powerful non-catalytic combustion heating. Combined with a traditional style arch front design and compact firebox the WCT6920 is ideal for smaller spaces and transforms any room into an inviting gathering space.



FEATURED WCT6920 shown with White Textured Stacked Panels

## EXCLUSIVE FEATURES

- 🔥 Circulating design features facade, arch doors and ceramic glass for optimum heat transfer
- 🔥 EPA variable-rate certified and Washington State approved high-efficiency wood heater
- 🔥 2.0 cubic foot insulated firebox that accepts up to 19" log size for increased performance
- 🔥 White stacked textured refractory panels with integrated ash lip and decorative cast iron log retainer
- 🔥 Air combustion control for variable heat output with air boost for faster wood ignition during startup
- 🔥 Includes insulated outside air kit (required for use)
- 🔥 55,000 BTUs and heats up to 1,500 square feet\*
- 🔥 Efficient air wash system that keeps glass clean
- 🔥 Cast or steel door available with heat resistant door handle that stays cool to the touch
- 🔥 Includes heat activated 200 CFM variable-speed blower for time-delayed heat distribution
- 🔥 HeatFlo™ air kit and/or thermostatically controlled forced air kit available (three maximum outlets)
- 🔥 Durable high temperature paint finish
- 🔥 20 Year Limited Warranty

\*Square-foot heating capacities are approximations only. Actual performance may vary depending upon home design and insulation, ceiling heights, climate, condition and type of wood used, appliance location, burn rate, accessories chosen, chimney installation and how the appliance is operated.

## MULTI-ROOM HEATING OPTIONS

The WCT6920 wood burning fireplace can be used to heat multiple rooms within your home with our HeatFlo™ air kit option. Through natural convection or with the aid of the heat-circulating fan, warm air can be directed up to 10 feet away into one or two adjacent rooms, giving you the flexibility to heat up to three areas. Heat the family room with the fireplace, and the dining room and upstairs bedroom with the HeatFlo™ air kit. Or you can choose to more efficiently heat a large space by directing heat through multiple vents.

### INTERIOR

(Standard)



White Stacked

### DOORS

(One required)



Cast-Iron



Smooth

### FACADES

(Required)

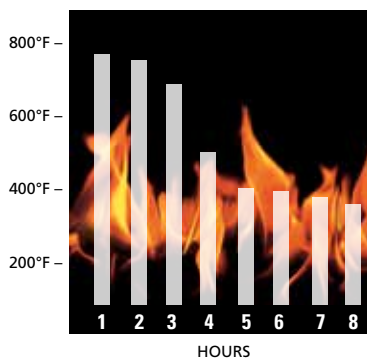


Smooth

## ADDITIONAL ACCESSORIES

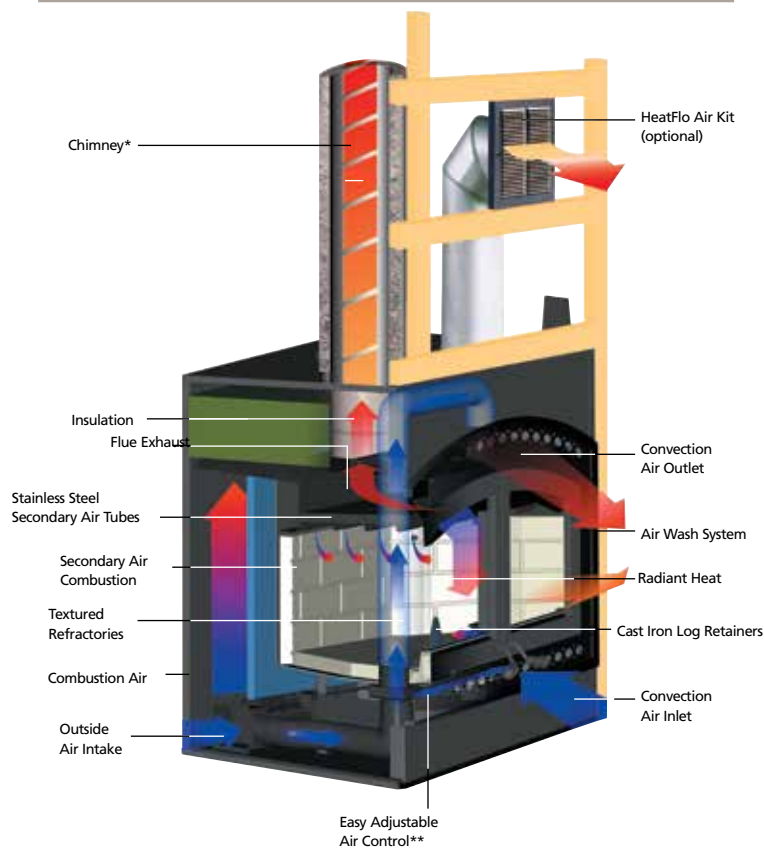
- Cast Iron or Smooth Door (One Required)
- Smooth Facade (One Required)
- HeatFlo Air Kit for natural flow zone heating to multiple locations
- Forced Air Kit for forced air zone heating to multiple locations

## BURN RATES\*



\*Results obtained by burning 25 lbs. of dry maple wood. (one hour pre-heating)

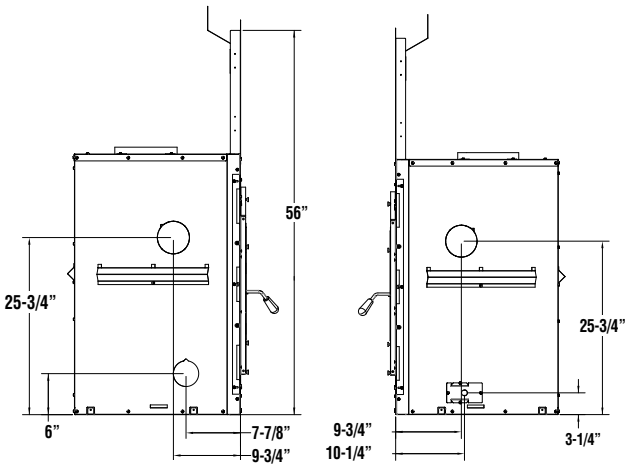
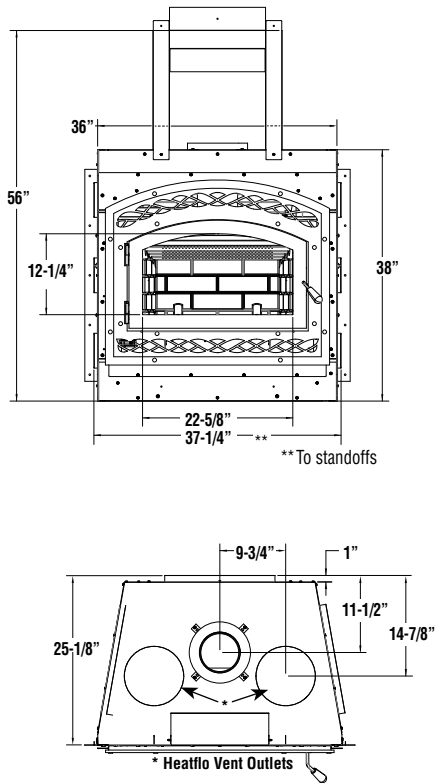
## ENGINEERING FEATURES AND SPECIFICATIONS



\*Air-cooled chimney not recommended for use at elevations above 4,000 feet or in climates where temperatures will fall below 32° Fahrenheit (0° Celsius).  
Double doors shown available on WCT6940 only.

\*\*Air-cooled chimney not recommended for use at elevations above 4,000 feet or in climates where temperatures will fall below 32° Fahrenheit (0° Celsius).

## APPLIANCE SPECIFICATIONS



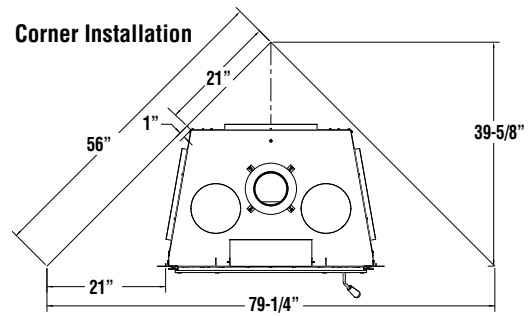
### IMPORTANT NOTES:

As with any fireplace, this appliance is extremely hot during operation. Read and understand all operating instructions before using this appliance. For further information, consult your dealer.

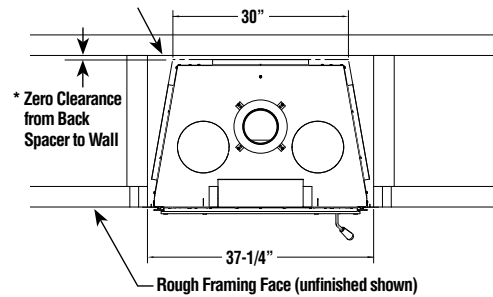
Local conditions, such as elevation and choice of fuel will affect overall appearance of the fire and heating performance. Performance can also vary with home design and insulation, ceiling height, accessories chosen and appliance location.

Diagrams, illustrations and photographs are not to scale — consult installation instructions. Product designs, materials, dimensions, specifications, colors and prices are subject to change or discontinuance without notice.

## FRAMING SPECIFICATIONS



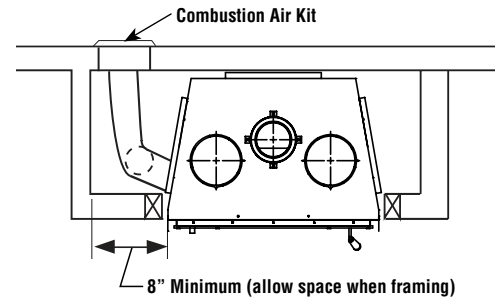
### Back Wall of Chase / Enclosure Including Finishing Materials, if any



### Outside Chase

\* Zero Clearance from Back Spacer to Wall

Rough Framing Face (unfinished shown)



## PRODUCT SPECIFICATIONS

Glass Viewing Area (W x H)	22-1/2" x 12-1/4"
Firebox Interior (W x H x D)	22" x 11-3/4" x 12"
Interior Cubic Feet	2.0
Maximum Log Size	19"
Chimney Size	6"
EPA Rating	1.9 grams/hr
Max BTUs	55,000
Heating Capacity (up to)	1,500 sq. ft.
Thermal Efficiency	72%
Blower	200 CFM
Weight	330 lbs.

