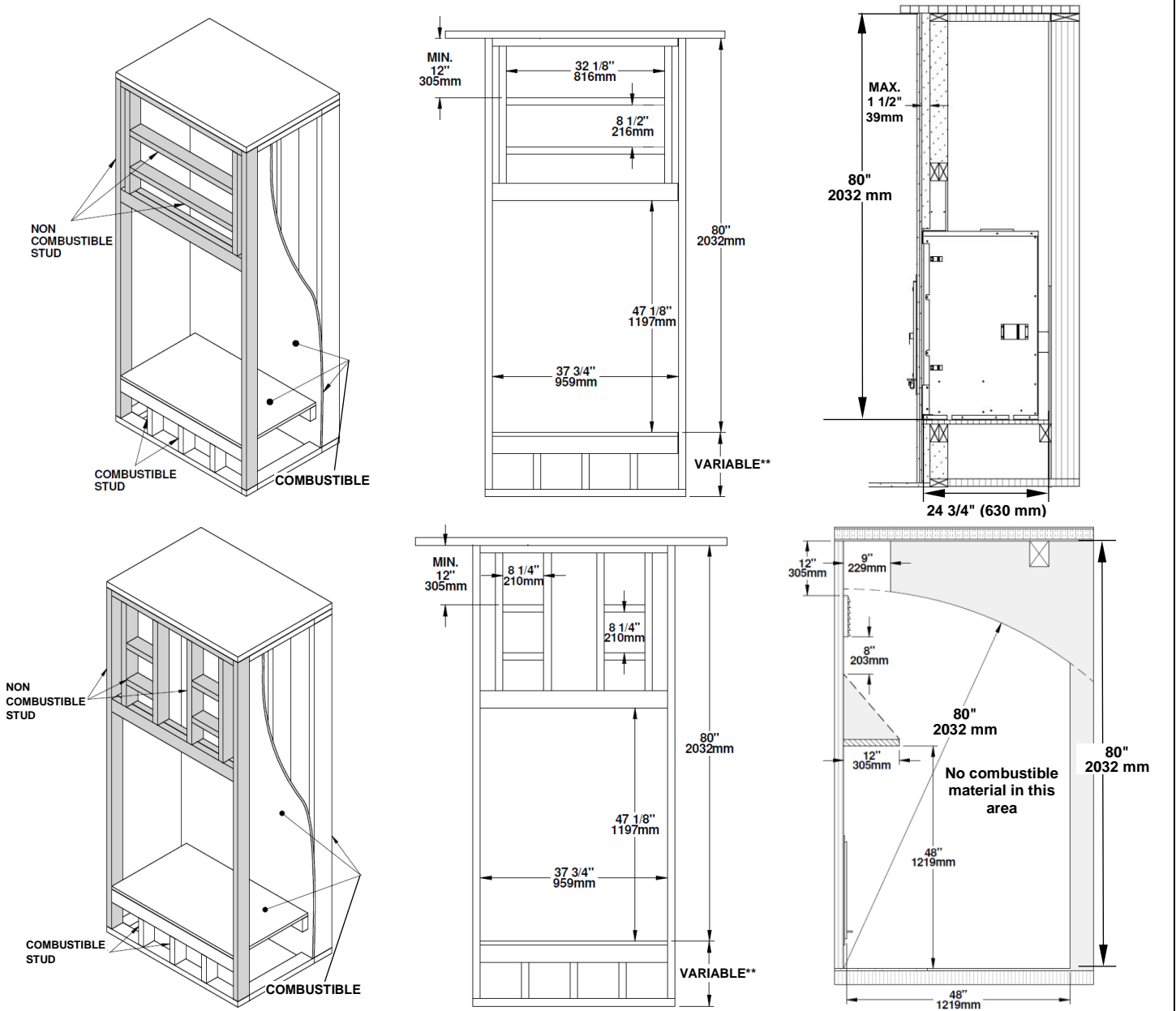
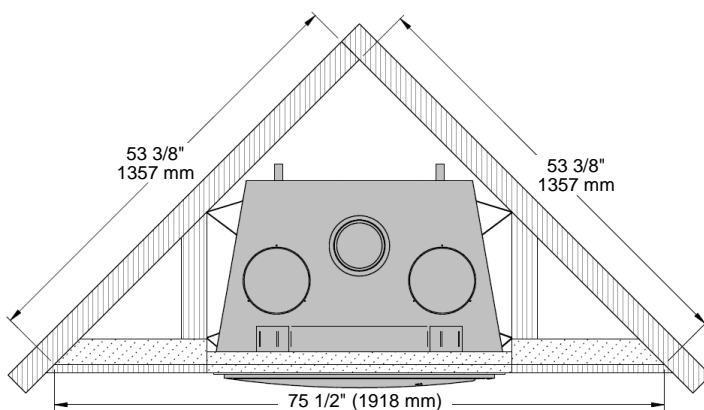


THIS QUICK REFERENCE PRODUCT SHEET IS NOT COMPLETE AND IS SUBJECT TO CHANGE WITHOUT NOTICE. ALWAYS REFER TO OWNER'S MANUAL ACCOMPANYING THE PRODUCT TO AVOID RISK OF FIRE AND INJURIES. ADDITIONAL INFORMATION CAN BE FOUND IN THE OWNER'S MANUAL ONLINE AT WWW.VALCOURTINC.COM.

FRAMING DIMENSIONS AND SHELF



CORNER INSTALLATION



LEGEND

Combustible material allowed in this area	
Non-combustible material only in this area	

* Where applicable, add 6" for fresh air pipe and/or 10" for forced air pipe to the width of the chase. When drywall panels or any other finishing material inside the chase around the fireplace is to be used, add its thickness to the measurement.

** For height equal or less than 4", see hearth extension section on reverse.

