



Warmth from the heart of J.A.ROBY INC.

PLEASE READ CAREFULLY AND KEEP
THIS MANUAL FOR FUTURE REFERENCE

Instruction Manual



ROBY2500



ROBY2500 CUISINIERE

ROBY2500 CUISINIERE LX

NATIONAL FIREPLACE INSTITUTE
NFI
CERTIFIED
www.nficertified.org

We recommend that our woodburning hearth products be installed and serviced by professionals who are certified in the U.S. by the National Fireplace Institute® (NFI) as NFI Woodburning Specialists or who are certified in Canada by Wood Energy Technical Training (WETT).

Wood Energy Technical Training
www.wettinc.ca



Intertek

Tested and listed
ULC STD S627-00
UL 1482-7
CAN/CSA STD B415.1-10

490, rue de l'Argon
Quebec, CANADA G2N 2C9
Tel.: 418-849-8095 Fax : 418-849-0077
www.jaroby.com

TABLE OF CONTENTS

Introduction.....	3	Stainless steel tubes Installation.....	24
Rating plate	4	Operating Instructions	25
Appliance Dimensions.....	5	Control of primary and secondary air admission.....	25
Installation	6	Lightning fire	25
Floor protection	6	First fire.....	25
Minimum dimension of floor protection plate	6	Keeping a fire.....	25
Clearances chart on floor plate.....	7	Fan Control.....	25
Minimums clearances to combustible material.....	8	Maintenance.....	26
Assembly before installation	9	Ash Removal	26
Installing legs.....	9	Ash Disposal.....	26
Warmer stove Assembly (Optional)	9	Creosote Formation.....	26
Fan and Snap disc box installation	11	Chimney Inspection.....	26
Firebricks installation.....	12	Chimney Sweeping.....	27
General stove installation steps	15	Door maintenance	27
Chimney connector installation	16	Air Tighten Adjustment	27
Mobile home installation.....	18	Cleaning up glass	27
.....	18	Disassembly and reassembly of door.....	27
General steps of chimney installation	19	Replacing broken glass	27
Vertical Installation Inside Masonry Chimney	20	Replacing glass fiber rope	28
Outside Vertical Installation	20	What to do in case of Chimney Fire	28
Vertical Installation on Cathedral Roof.....	21	Annexe 1	29
Offset Vertical Installation	21	Door assembly.....	29
Vertical Installation.....	22	Wood Stove Door	29
Combustion air intake.....	22	Annexe 2	30
Air Inlet Obstruction	22	Replacement parts.....	30
Replacing stainless steel deflector.....	23	J. A. Roby Limited Lifetime warranty.....	31
Replacement stainless steel tubes.....	24		

Introduction

Read all instructions carefully before installing your new J. A. ROBY ROBY2500/ROBY2500 CUISINIÈRE wood stove. A proper installation is very important for a safe and effective use of your stove. If you have any doubts about the installation of your appliance correctly, we suggest to call a professional installer. A wrong installation may result in a fire, injury or loss of life.

Keep these instructions for future use.

This appliance must be connected to

- A type HT chimney of 6 inch diameter (15.24 cm) listed to UL-103 or ULC-S629
- A conforming masonry chimney of 6 inch diameter (15.24cm) with qualified internal lining

N.B: Please be aware that the local codes and regulations might be more specific than this manual. You can consult a professional installer, the Fire Department or local authorities about restriction on installation of solid-fuel burning appliances.

DO NOT CONNECT THIS APPLIANCE TO A CHIMNEY FLUE SERVING ANOTHER APPLIANCE.

Rating plate



Intertek
W/N XXXXX

WH-

NE PAS ENLEVER CETTE ÉTIQUETTE DO NOT REMOVE THIS LABEL
POÊLE À COMBUSTIBLES SOLIDES HOMOLOGUÉ / LISTED SOLID FUEL BURNING SPACE HEATER
(NOVEMBRE / NOVEMBER 2014)

FABRIQUÉ AU CANADA PAR:
MADE IN CANADA BY:



Au cœur de la chaleur
Warmth from the heart of J.A. Roby Inc.
490 rue de l'Argon, Québec, Canada, G2N 2C9

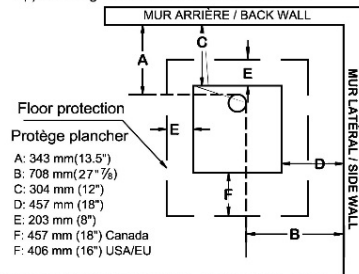
- MODÈLES / MODELS:**
- TISON
 - ROBY2500
 - FORGERON
 - ATMOSPHÈRE 2012

■ CUISINIÈRE /
COOKSTOVE

ÉGALEMENT POUR
UTILISATION
DANS LES MAISONS MOBILES /
ALSO FOR USE IN MOBILE
HOME.

PAS POUR LES MAISONS
MOBILES / NOT FOR USE
IN MOBILE HOME

-Installer et utiliser seulement conformément aux instructions du manuel d'installation et d'utilisation du fabricant.
Renseignez-vous auprès des responsables locaux de la construction et de la prévention des incendies au sujet des restrictions et inspections des installations dans votre région.
-Install and use only in accordance with manufacturer's Installation and Operating Instructions.
Contact local building or fire officials about restrictions and installation inspection in your area.
-Dégagements minimaux aux matériaux combustibles (mesuré à partir du dessus du poêle) Avec tuyau à parois simple et pare chaleur*
-Minimum clearances to combustible materials (measured from stove top) With single wall connector and heat shield*.



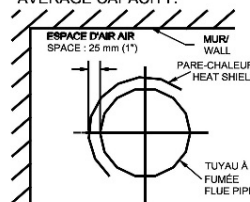
VENTILATEUR / BLOWER : 120V /60 Hz /0.8 Amp. Use only J.A.Roby Part Kit# (Vent)

- Pour plus de sécurité Observer les directives du fabricant pour l'installation et l'utilisation du poêle.
- Cet unité doit être installé sur un protège plancher incombustible de 10mm (3/8") dimensionné selon le dessin ci haut.
- Ne pas surchauffer, si le poêle ou le collet de la cheminée deviennent rouge le poêle surchauffe.
- Ne pas brancher cet appareil sur une cheminée servant à un autre appareil.
- Inspecter et nettoyer la cheminée fréquemment. Sous certaines condition d'opération le créosote peut s'accumuler rapidement
- Ne rien entreposer sous le poêle.
- Ne pas utiliser de chenets ou de grilles pour élever le feu.
- Réparer le feu directement sur l'âtre.
- Remplacer la vitre que par un verre de céramique de 5mm d'épaisseur
- Pour une utilisation avec du bois de chauffage seulement
- Brûler avec la porte fermée.
- Exigences pour installation dans une maison mobile: kit de sortie d'air extérieur, grille homologuée pour la prise d'air extérieur, connecteur à double parois homologué, un capuchon avec pare-étincelle homologué.
- DANGER: Risqué de choc électrique, avant l'entretien débrancher l'appareil. Ne placer pas le cordon d'alimentation en face ou en dessous de l'appareil.
- ATTENTION: les pièces mobiles peuvent causer des blessures, ne pas opérer l'appareil avec l'accès au ventilateur ouvert.

CERTIFIÉ SELON LA NORME ENVIRONNEMENTALE: CAN / CSA B415.1-10
ENVIRONMENTAL CERTIFIED TO:

MIS À L'ÉPREUVE SELON: ULC STD S627.00 /
TESTED TO: UL 1482-7

EMISSION / RATE: 1.3 gr/h
HHV / HIGH HEAT VALUE: 73.04%
LHV / LOW HEAT VALUE : 78.61%
EFFICACITÉ MOYENNE/ AVERAGE CAPACITY: 53,935 Btu/h



- Tuyau à parois simple et pare-chaleur*
- Single wall connector and heat shield*

EXIGENCE: (pare chaleur)
Feuille de métal de 0.33 mm (0.013") d'épaisseur espacée du tuyau à fumée de 25mm (1") par des matériaux incombustibles et de largeur suffisante pour permettre que la plus petite distance aux matériaux combustibles non protégés soit d'au moins de 450mm (18")

REQUIREMENT: (Heat Shield)
0.33 mm (0.013") sheet metal spaced out from the flue pipe 25mm (1") by non combustible spacers and such width that the shortest distance to any unprotected combustible surface is at least 450 mm (18")

- -For Safe Operation, Install In Accordance With The Manufacturer's Instructions.
- -This Appliance Must Be Placed on a 10 mm (3/8") noncombustible floor protection like schematic dimension above.
- -Do Not Overfire - If heater or chimney connector glows, You are overfiring.
- -Do Not Connect This Unit to a Chimney Serving Another Appliance.
- -Inspect And Clean Chimney Frequently - Under Certain Conditions Of Use, Creosote Buildup May Occur Rapidly.
- -Do Not Obstruct Space Under The Stove.
- -Do Not Use Grate Or Elevate Firebuild Wood.
- -Fire Directly On Hearth.
- -Replace Glass Only With Ceramic Glass 5mm Thick.
- -For Use With Solid Wood Fuel Only
- -Burn With The Door Closed.
- -Required components for mobile home installation: air inlet kit, listed outside air inlet grid, listed double wall connector, listed chimney for mobile home, listed chimney cap with spark retainer.
- -DANGER: Risk of electric shock. Disconnect power before servicing unit. Do not route power cord under or in front of appliance.
- Caution: moving part may cause injury, do not operate unit with blower access port open.



CAUTION !

HOT WHILE IN OPERATION. DO NOT TOUCH.
KEEP CHILDREN, CLOTHING AND FURNITURE AWAY. CONTACT MAY CAUSE SKIN BURNS.
SEE NAME-PLATE AND INSTRUCTION.

ATTENTION!

CHAUD LORSQU'EN FONCTION, NE PAS TOUCHER, GARDER LOIN DES ENFANTS, DES TISSUS ET DES MEUBLES. LE CONTACT PEUT CAUSER DES BRÛLURES À LA PEAU. VOIR LA PLAQUE SIGNALÉTIQUE ET LES INSTRUCTIONS.

Appliance Dimensions

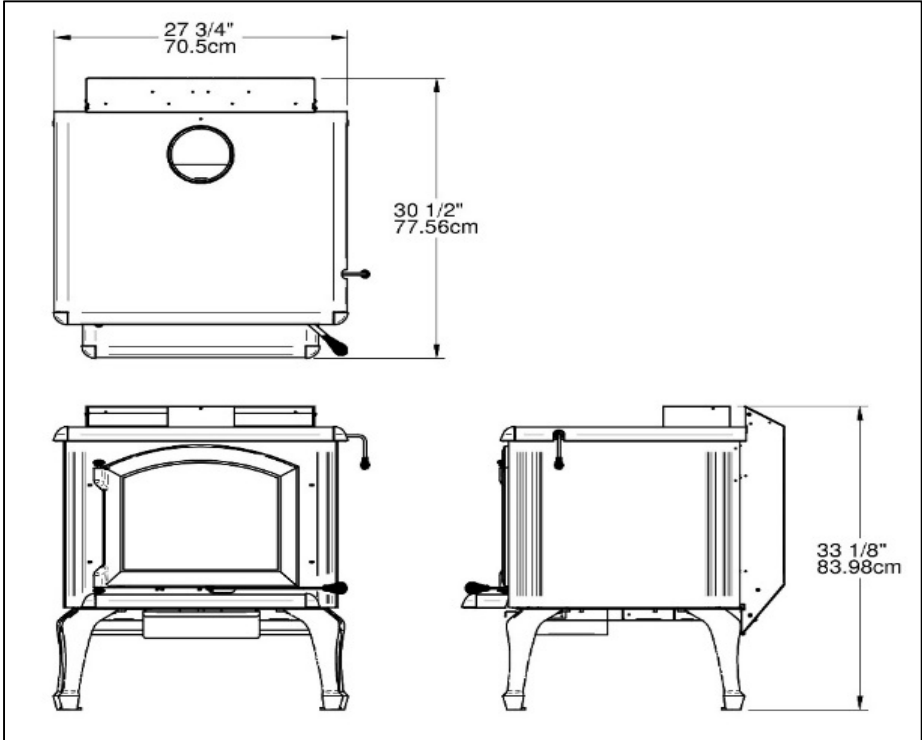


Figure 1

Installation

Floor protection

Your stove must be installed on a plate of non-combustible material to protect the floor and avoid fire caused by:

- Projections of sparks at the moment of opening the door and loading.
- The heat radiation of runaway which might cause self-ignition of floor and surface.
- Possible creosote flow when there is a chimney fire.

UNITED STATES ONLY: The surface must be non-combustible and listed to the USA standard UL1618 or the local codes (Example: cement, brick, ceramic tiles etc.)

Minimum dimension of floor protection plate

The following dimensions are the minimum values.

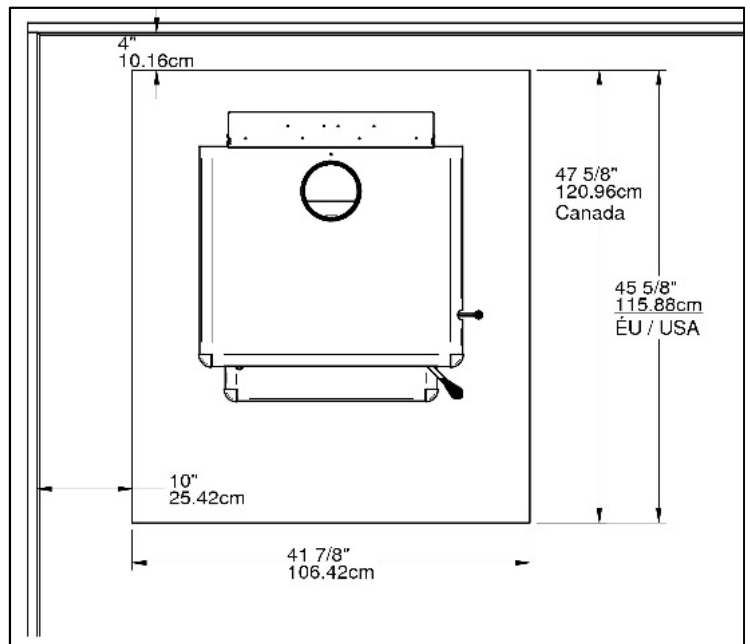
Canada:

- 41 7/8 inches (106 cm)
- 47 5/8 inches (115.88 cm)
- 3/8 inch thickness (1 cm)

Unites States:

- 41 7/8 inches (106.42 cm)
- 45 5/8 inches (115.88 cm)
- 3/8 inch thickness (1 cm)

UNITED STATES ONLY: It's necessary to protect the floor beneath the horizontal part of chimney connector extending 2 inch (5cm) beyond each side of the pipe. You can extend the floor protection panel while respecting the clearances of each side of stove.



Clearances chart on floor plate

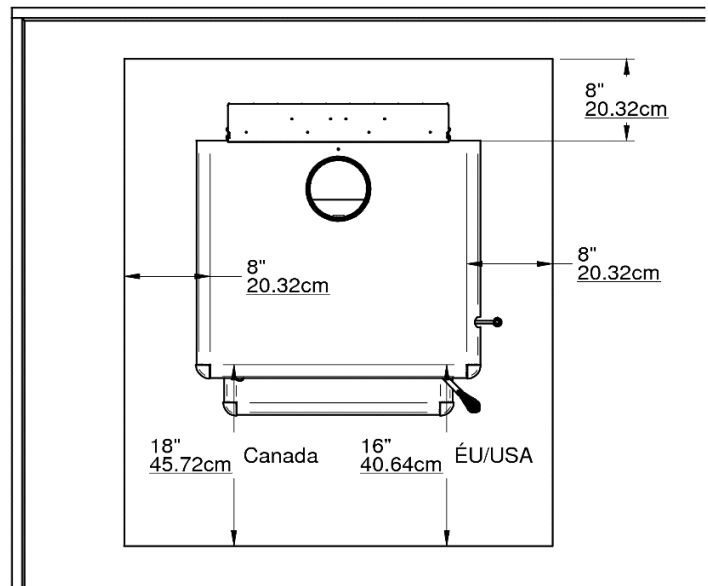
The following dimensions are the minimum values.

Canada:

- 8 inches (20.32 cm) rear
- 8 inches (20.32 cm) side
- 18 inches (45.72 cm) loading door

Unites States:

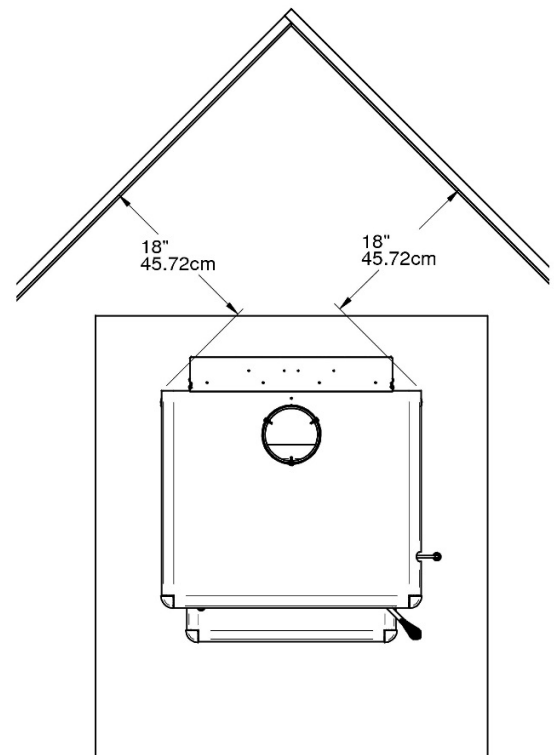
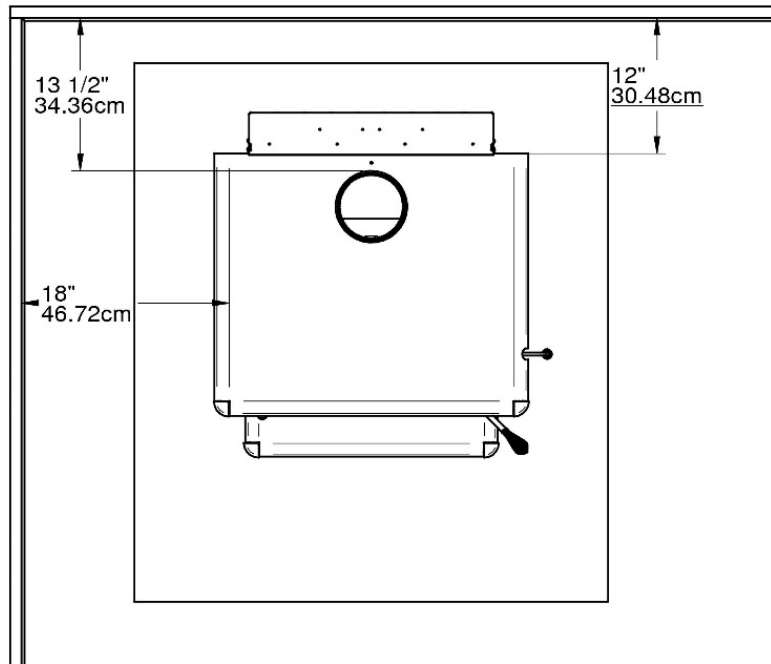
- 8 inches (20.32 cm) rear
- 8 inches (20.32 cm) side
- 16 inches (40.64 cm) loading door



Minimums clearances to combustible material

This appliance needs a minimum space because of these reduced clearances. Whether in the living room or the dining room, the *ROBY2500/ROBY2500 CUISINIÈRE* will match perfectly by its originality and heating. It requires a **MINIMUM** clearance of 12 inches at the back (for a single pipe with a heat shield) and an 18 inch **MINIMUM** clearance on each side.

- 1) In case of a single pipe without heat shield, you must keep *ROBY2500/ROBY2500 CUISINIÈRE* cook stove 18 inches away from all combustible material so that the **MINIMUM** clearance at the back of the stove will be 16¼ inches (41.3cm).



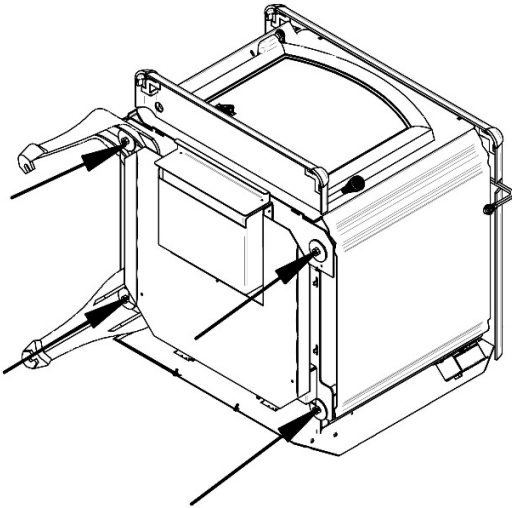
- For a 45° corner installation, or other corner installation, the minimum clearance between the cook stove and combustible material must be 18 inches.

Assembly before installation

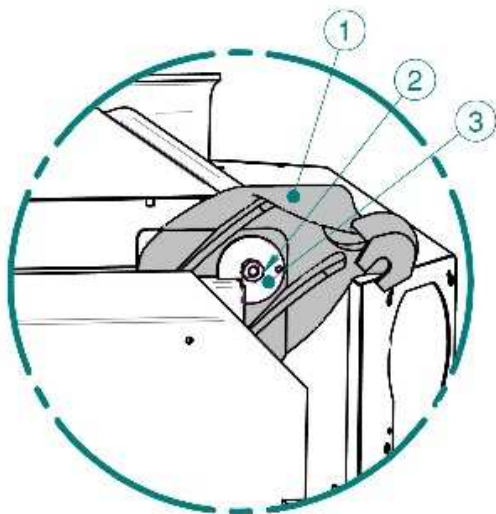
The stove leg and the warming oven top might not be assembled in the factory, in order to save space for transportation and storage. You must therefore assemble these parts before installing the cook stove.

Installing legs

- 1) Take out legs and bricks from combustion chamber.
- 2) Unscrew the stove from the skids.
- 3) Lay the stove on its back carefully not to damage the paint.



- 4) Loosen the nut (#2) without removing it completely.
- 5) Install the legs (#1) as illustrated below.
Attention: Make sure the legs are in place, correctly positioned and in contact with the bottom of the stove.

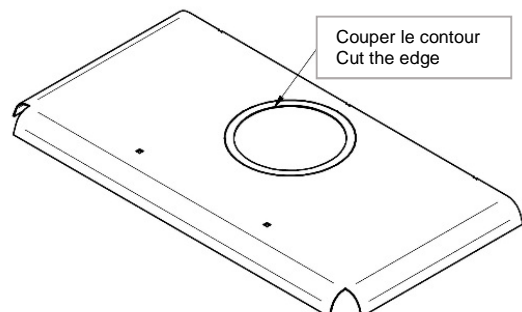
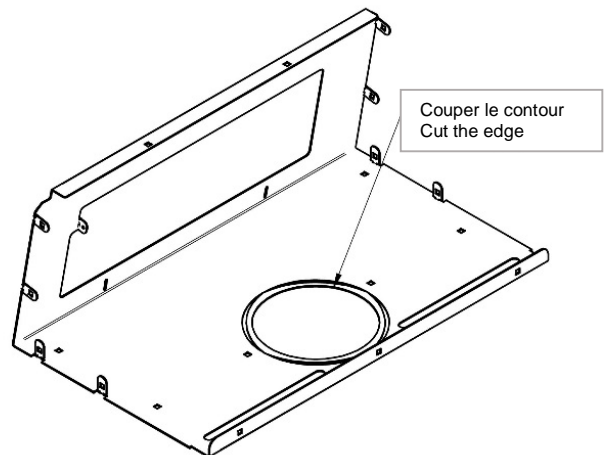
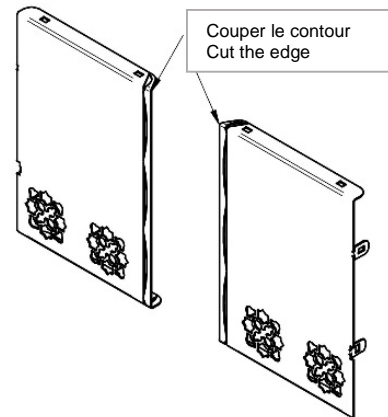


Warmer stove Assembly (Optional)

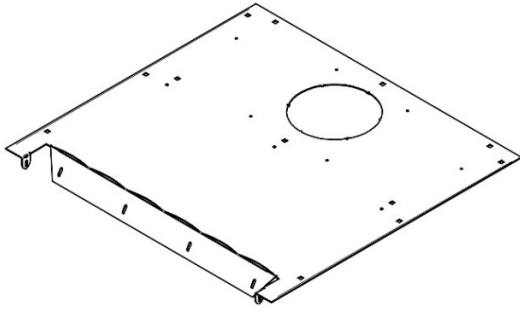
At this moment, you need to know which type of smoke pipe you are installing: a single pipe or a double pipe.

For the single pipe, it is not necessary to remove the pre-cut metal part.

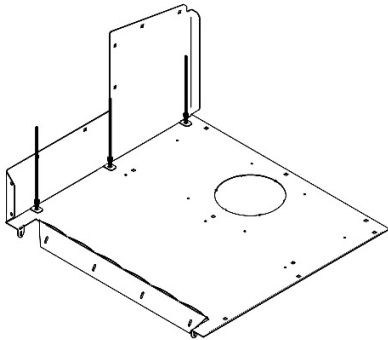
For the double pipe, you must remove the pre-cut metal part on the top, inside and in front of the warmer, see pictures below.



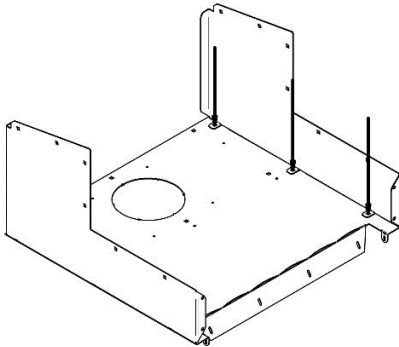
- 1) Place the backside on the product package to protect the painted part.



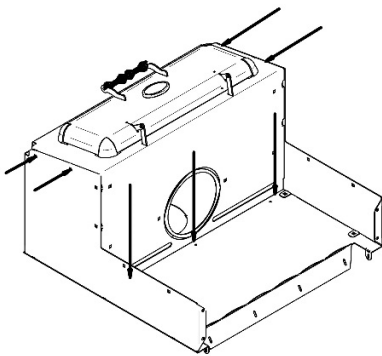
- 2) Fix the left side.



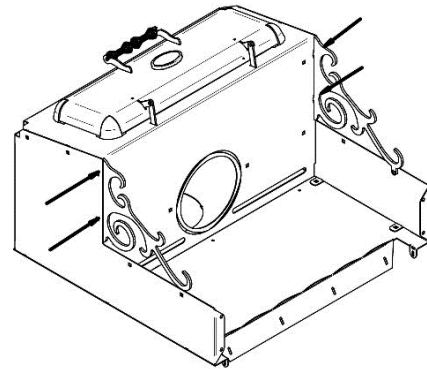
- 3) Fix the right side.



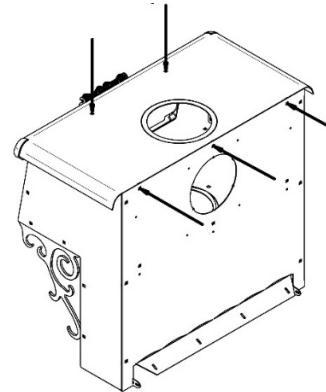
- 4) Attach the front part (with the door) to the two sides and the back. Leave the horizontal holes empty for the chrome decoration.



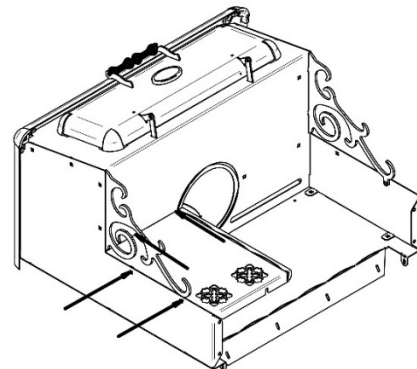
- 5) Insert the chrome decoration in the holes and fix it with carriage bolts and nuts (with 2 bolts each).



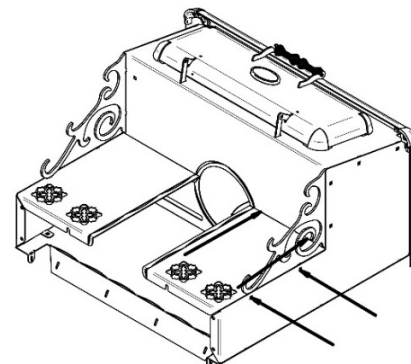
- 6) Attach the top part to the back and the front.



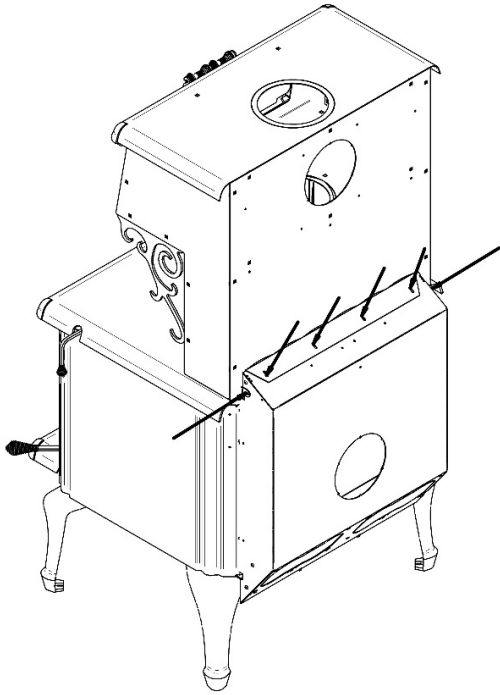
- 7) Install the left chrome decoration.



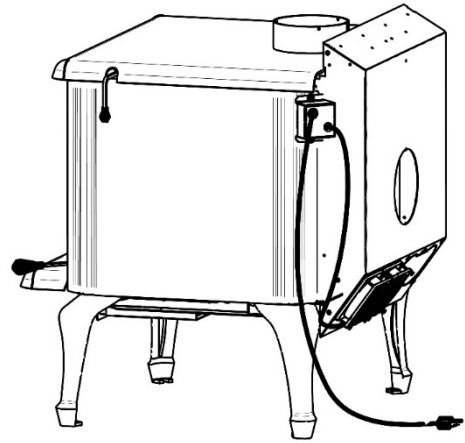
- 8) Install the right chrome decoration.



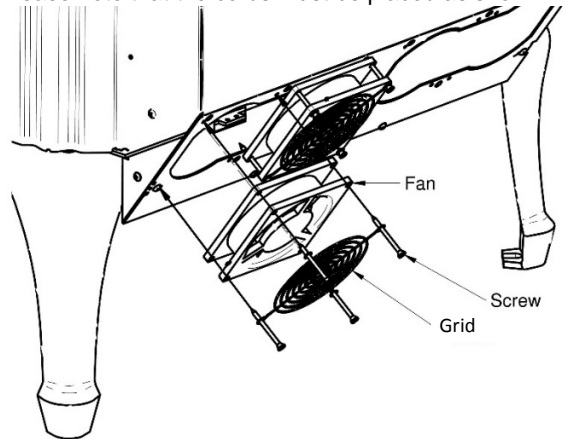
- 9) Put and fix the warmer with the 6 holes at the back of the cook stove.



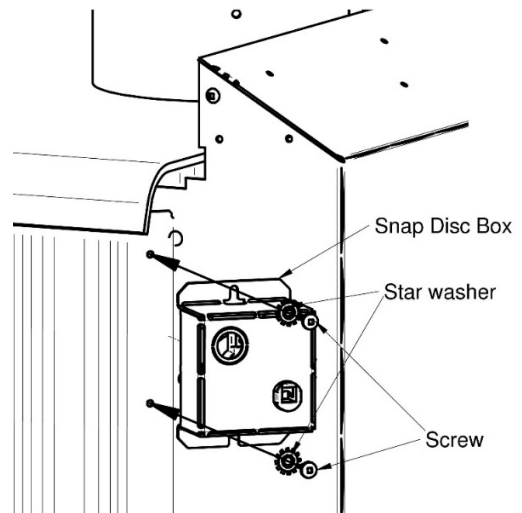
Fan and Snap disc box installation



- 1) Install the two fans at the bottom of vent box as illustrated. Please note that the cords must be placed as shown.



- 2) Screw the snap disc box into the holes made for this purpose at the back side near the vent box.

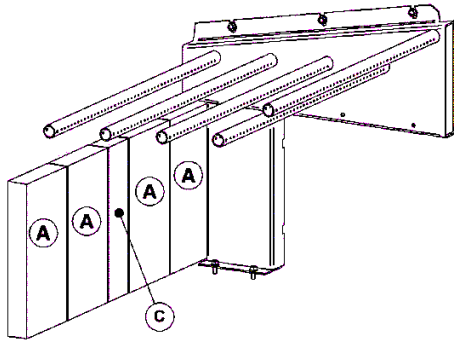


WARNING: THE POWER CORD MUST NOT BE PLACED UNDER OR IN FRONT OF THE APPLIANCE.

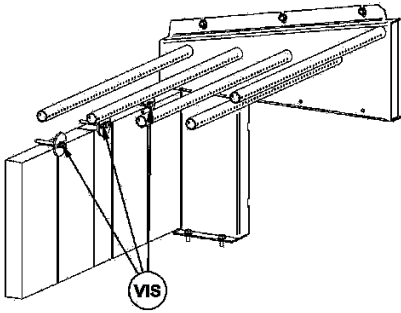
Firebricks installation

Back firebricks installation

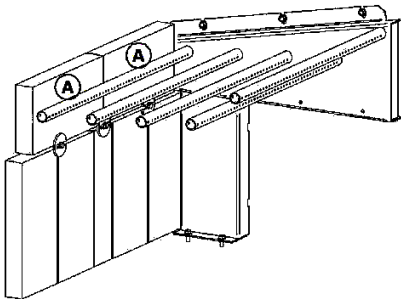
- 1) Put 4 bricks «A» and 1 brick «C» in the middle.



- 2) Set the 3 big screws in the holes for this purpose. Do not tighten up these screws too much, so that washers will be easily installed.



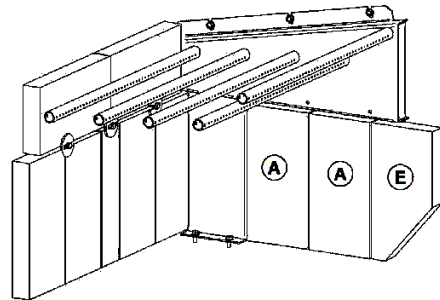
- 3) Add 2 bricks «A» horizontally on the 5 bricks.



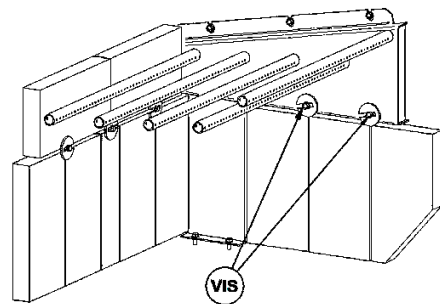
- 4) Tighten the 3 bricks screw.

Side firebricks installation

- 1) Put 2 bricks «A» and 1 angled brick «E» on the right hand.



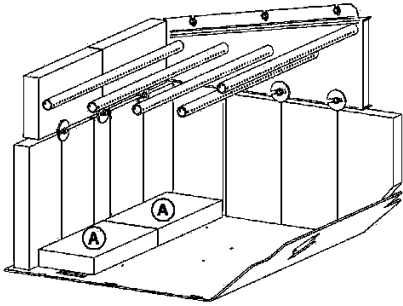
- 2) Place 2 screws and insert split washers.



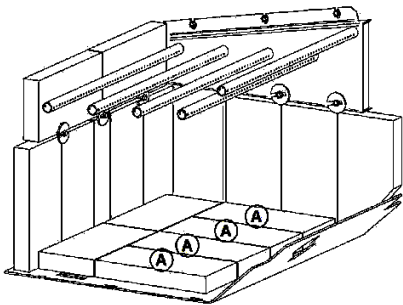
- 3) Tighten the screws.
- 4) Repeat the 3 steps before making the other side.

Floor firebricks installation

- 1) Put 2 bricks «A» in the bottom as shown in the picture.

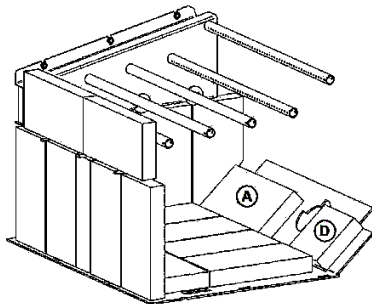


- 2) Insert 4 bricks «A» in front of the 2 bricks previously placed.



- 3) Insert 1 brick «A» to the right from the ash dump plug.

- 4) Insert 1 brick «D» to the left from the ash dump plug.



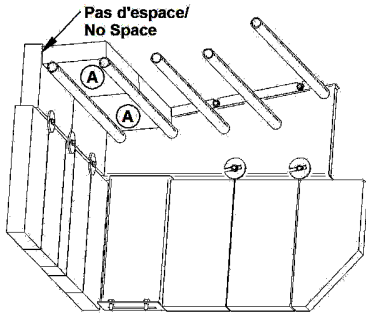
Firebricks installation on the pipes

The firebricks must be placed on the 4 pipes from the bottom of combustion chamber. Bricks keep a maximum heat inside the combustion chamber so that the air coming from the pipes could burn the entire gas coming out from wood, which is combustible only in this way.

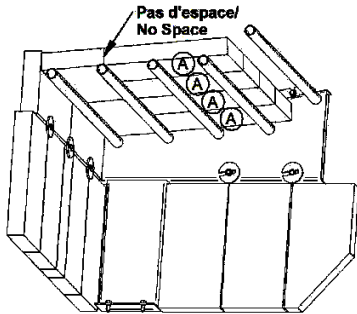
The rockwool over the brick can prevent considerable leakage between the bricks and keep a maximum heat inside combustion chamber. It must cover up all the bricks and the each side of top of the air corridor.

IMPORTANT: The rockwool must not obstruct the smoke exit. Verify from the holes on the collar of the chimney to make sure that it is in the right position. Then, place 2 stainless half round plate as shown in the picture.

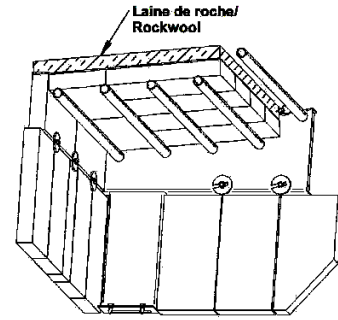
- 1) Place 2 bricks « A » over the two top pipes so that they can be aligned lengthwise. Make sure that they are hold properly on the bricks placed vertically at the back of the combustible chamber and there is no space between these bricks.



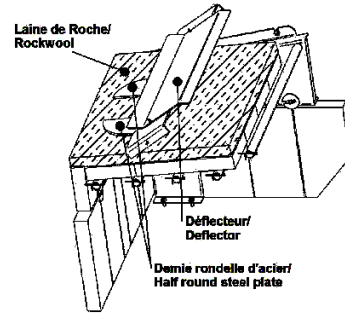
- 2) Place 4 bricks « A » over the two front pipes. It must be placed as shown in the picture below. Be sure to leave no space in between the bricks previously placed.



- 3) Put the rockwool over the bricks and assume then the smoke exit way is not obstructed.



- 4) Place two stainless half round plate over the rockwool by the rear deflector already in place.



General stove installation steps

- 1) Read the entire installation manual before installing and using your stove.
- 2) Choose a place to install your cook stove. Read the sections about dimensions of floor protection panel, localisation of stove over the floor protection panel, and clearance to combustible materials. Once you have decided where to install the stove, mark the center of chimney on the floor.
 - o To make sure the vertical center of the chimney, use a plumb line to mark on the floor.
- 3) Verify if it is possible to pass chimney without damaging the structure of your house. You might have to move the location of the stove while keeping the minimum clearance. If you have to cut a joist, be sure to respect the building code in effect to keep the structural integrity of your house.

Note: This appliance have to be connected to:

 - A type HT chimney of 6 inch diameter (15.24 cm) listed to UL-103 or ULC-S629.
 - A conforming masonry chimney of 6 inch diameter (15.24cm) with qualified internal lining
- 4) Install the chimney following the manufacturer instructions.
- 5) Put the stove on the floor aligned vertically with the center of chimney, and trace the 4 sides of the stove vertically on the floor. Please remove the stove.

- 6) Mark the dimensions of protection panel on the floor. The edge clearance of the sides and the back is 8 inches (20.3 cm). At the front, it must be 16 inches (40.6 cm) in US and 18 inches (45 cm) in Canada, measured from the front door.
- 7) Install the floor protection panel according to the mark. (It must be non-combustible)
- 8) Put the stove on the protection floor panel. Respect the edge clearance that you have set at step 6 and the centre of the chimney as well. We recommend to fix the stove to the floor with bolt in the slots in the stove legs made for this purpose. If you have a pedestal, use the holes made for this purpose.
- 9) If you have an outside air inlet you must use 4 inches (10.16 cm) flexible aluminum pipe. The pipe must be sealed with thermal resistant sealant.
- 10) Install the chimney connector from the stove. The pipe must be attached with at least 2 screws, to the collars of the stove and the chimney, also each joint of connection.

Note:

- The single or double wall chimney connector must be 6 inch diameter (15,25 cm) and have a minimum thickness of 24 gauge (0.025 inches 0.64 mm). Do not use galvanised steel chimney connector.
- For an installation in a mobile home, refer to the concerning section in this manual.

Chimney connector installation

The chimney connector is a set of single or double wall flue pipes and elbow installed between the stove collar and the chimney collar. Components of single wall chimney connector are available at any hardware store and there is no precise standard or regulation. However, some rules must be followed to install solid fuel burning equipment.

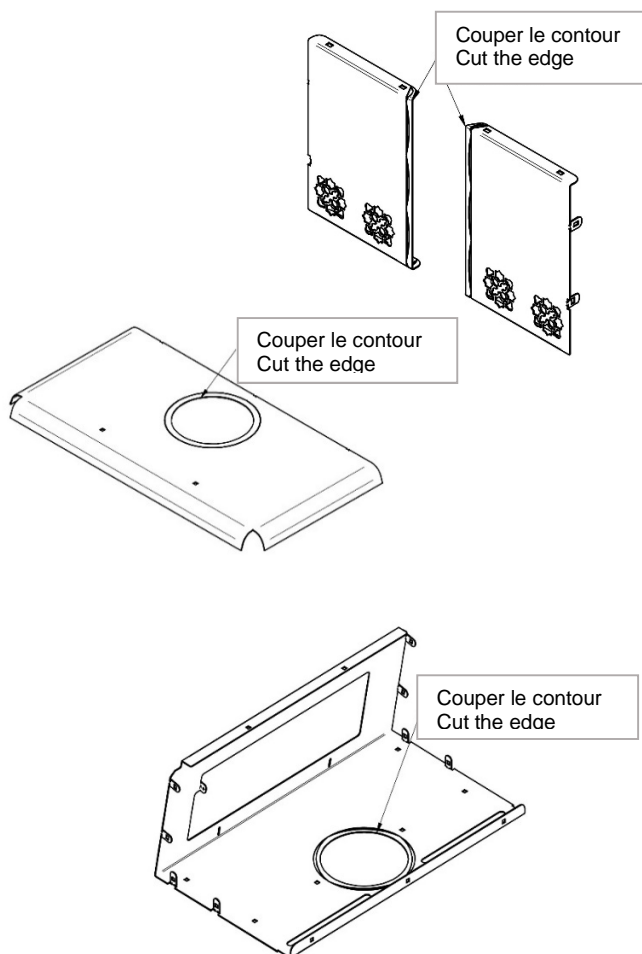
❖ Double wall chimney connector

Your J.A. Roby *ROBY2500/ROBY2500 CUISINIÈRE* cook stove was approved for the use of a single wall chimney connector with heat shield, but it is possible to install a 6 inch (15.2 cm) double wall certified chimney connector. In this case, you must detach the pre-cut pieces of the top, the bottom and each side of warming oven, in order to make holes for double wall chimney connector.

- We recommend to detach the removable pieces before assembling the cook stove warmer.

ATTENTION:

- For the clearance between combustible materials and double wall chimney connector, see manufacturer manual.



❖ Single wall chimney connector

For the single wall chimney connector, you must use the connector of 6 inch diameter with a minimum thickness of 24 gauge (0.025 inches 0.64 mm). For the section coming out of the warming oven, install a metal heat shield, covering the straight and curving sections with 1 inch (25.4 mm) thick.

ATTENTION:

- If you don't have heat shield, you must keep the cook stove away in order to maintain the distance of 18 inches or more from combustible materials.
- Any horizontal section must be sloping upwards 1/4 inches (6.35 mm) by feet (30 cm) toward the chimney collar. This section should not exceed 36 inches (91,4 cm).
- The clearance between the roof and the single wall chimney connector must be 18 inches (45.7 cm) or more.
- Regarding the clearance between the roof and the double wall chimney connector, follow the manufacturer indication

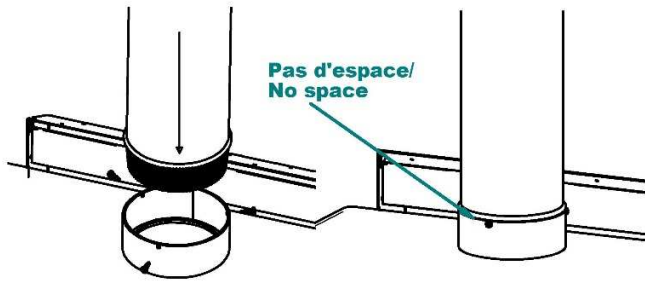
Assembly of connecting parts

1. Make a brief installation of all sections and elbows (if necessary) to ensure that you respect the clearances and inclinations of the horizontal sections. You must also verify if you have all the necessary parts for final installation.
 - For direct vertical installation, you will need:
 - 1 x vertical section of 24 inches (61 cm) or more
 - 1 x adequate length of telescopic chimney part allowing you to connect the last chimney connector section to the chimney collar.

Note: For higher roof, more parts might be needed.
 - For horizontal installation, you will need
 - 1 x vertical section of 24 inches (61 cm) or more
 - 1 x 90° elbow
 - 1 x adequate length of telescopic chimney part

Note: For better performance, two 45 degree elbows with or without straight section in between are preferable.
2. Disassemble the whole thing and start screwing the pieces from the stove to the roof chimney collar.

3. Insert entirely the roll formed end into the stove collar and screwing it with a minimum of 3 screws.



WARNING: It is mandatory to screw the pipe to the stove collar and also at each joints with a minimum of 3 screws.

4. Install all the next section up to the chimney support collar and be sure to attach all parts with at least 3 screws.

DO NOT CONNECT THIS APPLIANCE TO A CHIMNEY SERVING ANOTHER APPLIANCE.

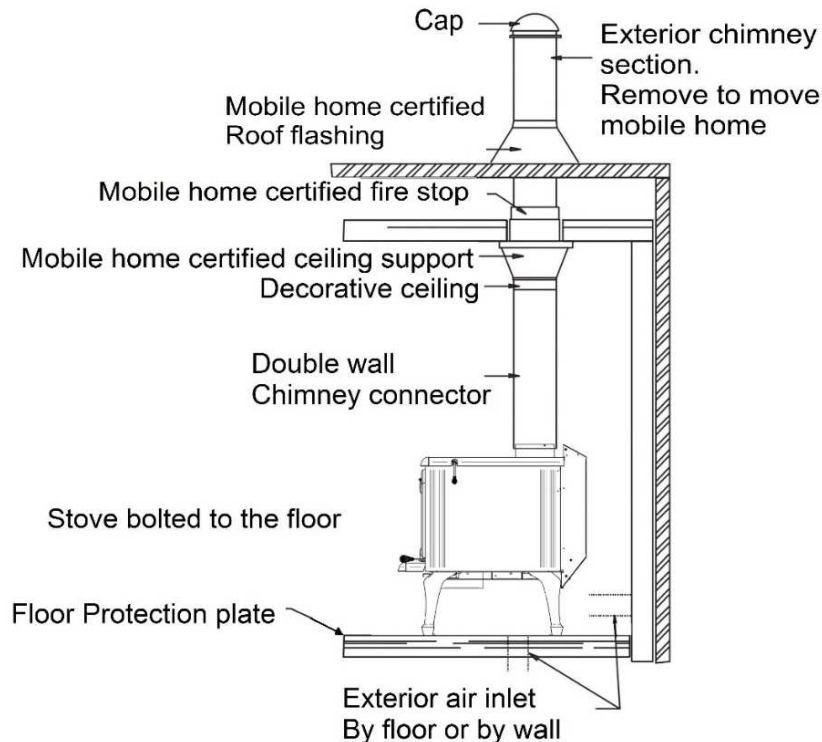
CONNECTOR PIPES SHOULD NEVER GO ACROSS A CEILING, A WALL, A CLOSET, AN ATTIC OR OTHER ENCLOSED AREA THAT COULD CAUSE HEAT BUILDUP. IF YOU NEED TO PASS THROUGH COMBUSTIBLE MATERIAL, MAKE SURE THAT YOUR INSTALLATION COMPLIES WITH CAN / CSA-B365.

Mobile home installation

DANGER: DO NOT INSTALL IN BEDROOM.

WARNING: THE STRUCTURAL INTEGRITY OF THE MOBILE HOME FLOOR, WALL, AND CEILING/ROOF MUST BE MAINTAINED.

- 1) Do the General stove installation steps 1 to 11.
- 2) The following requirements are **MANDATORY** for installation in a mobile home.
 - a. The stove must be fixed onto floor of mobile home with bolt and nuts.
 - b. The exterior air intake must be installed.
 - c. The stove must be electrically-grounded to chassis of the mobile home. In USA, electrical grounding to the certified terminals with 8 gauge wire and using star washer are mandatory.
 - d. All of the following equipment must be certified and approved for mobile home installation.
 - Double wall chimney connector
 - The chimney system
 - The roof flashing
 - The Storm collar
 - Cap with spark arrester
 - Firewall
 - Chimney ceiling support
 - Decorative collar
 - e. If the chimney is exposed outside from a wall and placed lower than 7 feet (213 cm) above the ground level where the mobile home is situated. A shield must be installed around chimney from the bottom to 7 feet (213 cm) tall. If openings are made into the shield they must be less than 3/4 inch (2 cm) wide and keep the distance of 4 inches (10,2 cm) or more in order to avoid contact with chimney.
 - f. The chimney must exceed at least 3 feet (91,4 cm) from the highest point of opening made in the roof.
 - g. Be sure to seal correctly the flashing of the roof, the firewall and the exterior air inlet.
- 3) Always keep the door closed and lock. Open it only when add wood or start fire.
- 4) To close the exterior air inlet, a damper must be installed in the air intake pipe.
- 5) Don't forget to open the damper when operate your stove so that the smoke will not enter the house.
- 6) Always use certified parts for mobile home. Never use a substitute.



General steps of chimney installation

Use only approved chimneys of the same size as the output of the appliance, which means 6 inches in the case of this stove. The chimneys must be tested according to CAN/ULC-S629-M87 in Canada and to UL-103 (type HT) In USA. The ROBY2500/ROBY2500 CUISINIÈRE can be installed with a masonry chimney according to ULC-S635, ULC-S640 and UL-1777. The masonry chimney must be equipped with a stainless steel sleeve and meet the standards for the masonry chimney with inner sleeve.

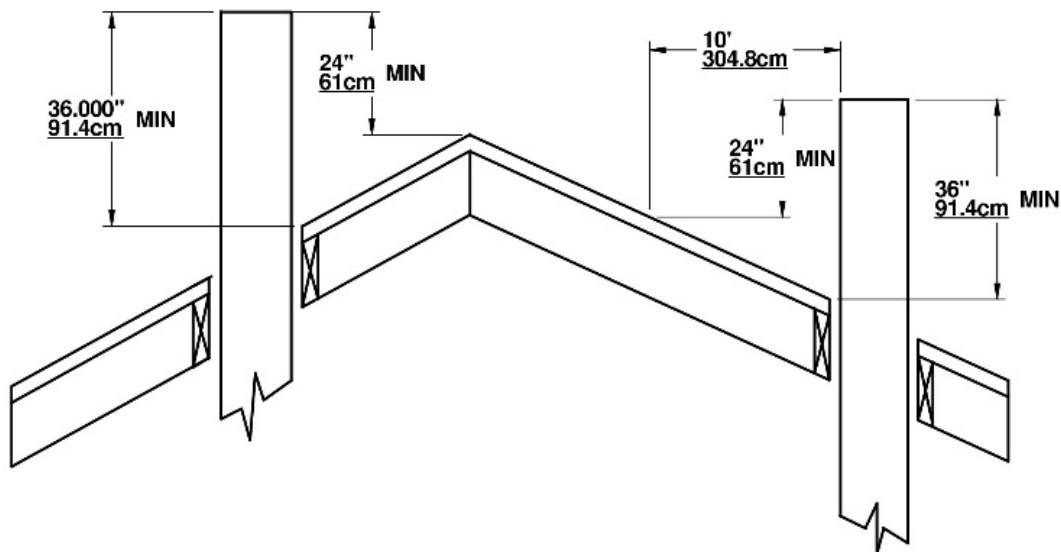
Provide a place for sweeping.

It is preferable, if possible, to avoid a chimney built outside of a house and on an exterior wall, especially in cold regions. Outside chimneys generally have a less efficient draft. They can even have down draft since it is hard to heat them enough to reach their operating temperature. Cold chimneys have tendencies of greater accumulation of creosote, less efficient draft and worse efficiency. Draft is proportional to the total chimney height as well as its temperature. It is therefore possible to get better draft by increasing the chimney's height and by reducing the heat loss with insulated lining. Make sure that all pipe joints are really airtight. A leak reduces the efficiency of the appliance and could even make its usage dangerous.

Note: This is a general chimney installation method. Be sure to refer to the manufacturer's manual for more details of installation of your chimney.

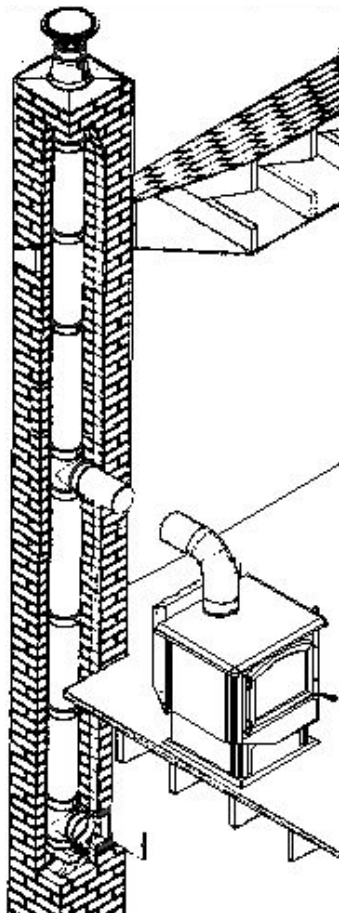
- 1) Determine the total length necessary for your chimney.
- 2) Make holes into all floors and roof.
- 3) If you need to cut a joist, be sure to strengthen the adjacent joists and frame the hole respecting the minimum dimensions between combustible materials and the fireguard. Follow the manufacturer's instructions supplied with the fireguard. **Never cut a loadbearing joist/beam.**

- 4) Frame the holes in each level and attic respecting the minimum distance recommended by the manufacturer of your chimney. Install fireguard in each level.
- 5) Frame the hole into the roof.
- 6) Install a chimney support and a fireguard in the ceiling where cook stove is installed.
- 7) Stack the prefabricated chimney sections on the support and exceed the roof.
 - The chimney must exceed at least 3 feet (91.4 cm) from the highest point of the hole in the roof.
 - The chimney must also be at least 2 feet over the highest point on the roof inside 10 feet (304 cm) radius around the chimney.
 - The minimum length of chimney is 12 feet (365.8 cm).
 - **ATTENTION: Be sure the chimney parts are attached properly and lock onto the chimney support.**
 - **Note: A chimney longer than the minimum required can add more draft and help the operation of the cook stove. Try the minimum length first then add section if you need more draft.**
- 8) Put the roof flashing over the chimney and seal it with roof caulking.
- 9) Nail the roof flashing.
- 10) Slide the storm collar over the chimney and fix it. Seal it with high temperature caulking.
- 11) Lock the chimney cap and install the spark arrestor if necessary.



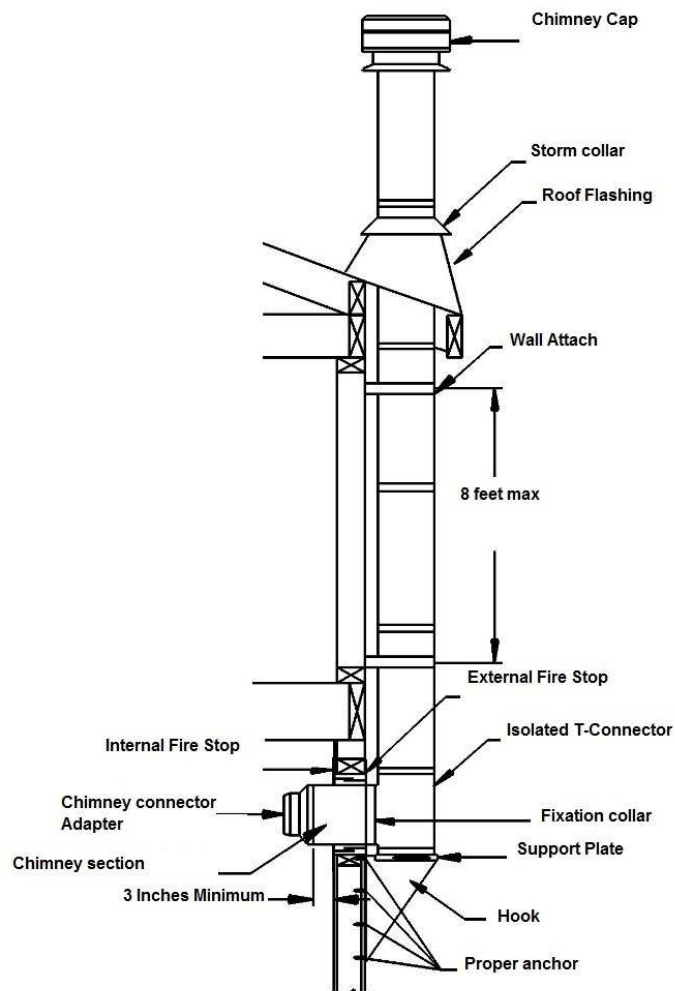
Vertical Installation Inside Masonry Chimney

The *ROBY2500/ROBY2500 CUISINIÈRE* must be installed in accordance with the applicable local laws or the standards such as ULC-S635, ULC-S640, and NFPA 211 (USA). Follow the chimney manufacturer's instructions to install the chimney.



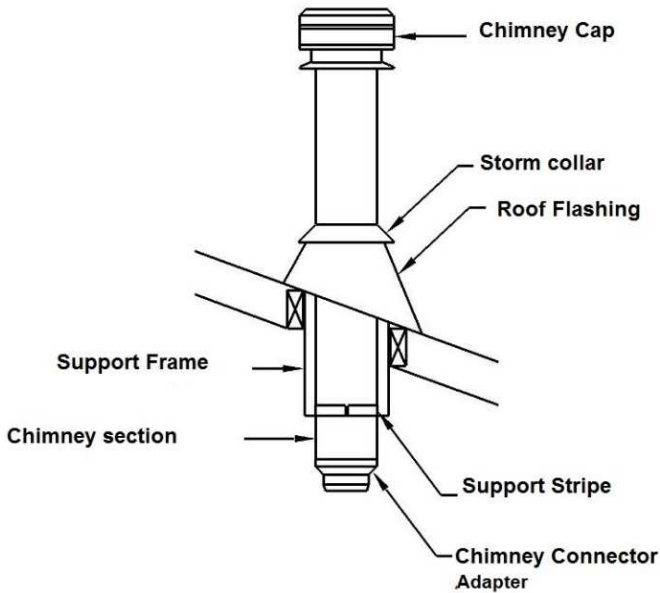
Outside Vertical Installation

The wood appliance must be installed in accordance with the applicable local laws or the CAN/CSA-B365, NFPA211 (USA) norms. Follow the chimney manufacturer's instructions to install the chimney.



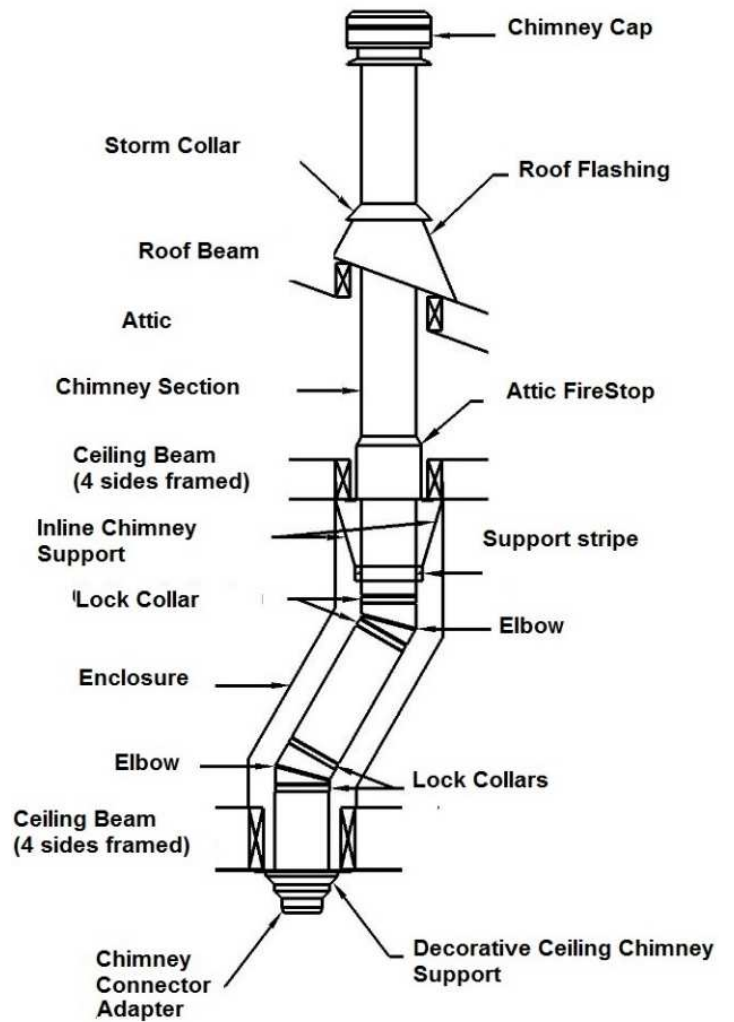
Vertical Installation on Cathedral Roof

The ROBY2500/ROBY2500 CUISINIÈRE must be installed in accordance with the applicable local laws or the CAN/CSA-B365, NFPA 211 (USA). Follow the chimney manufacturer's instructions to install the chimney.



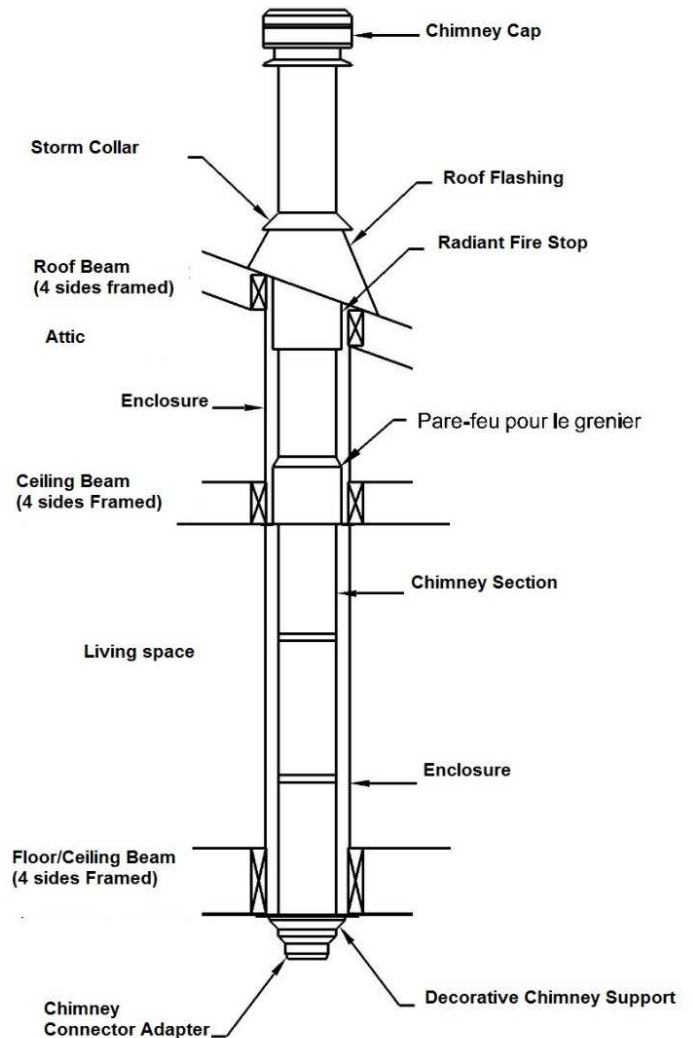
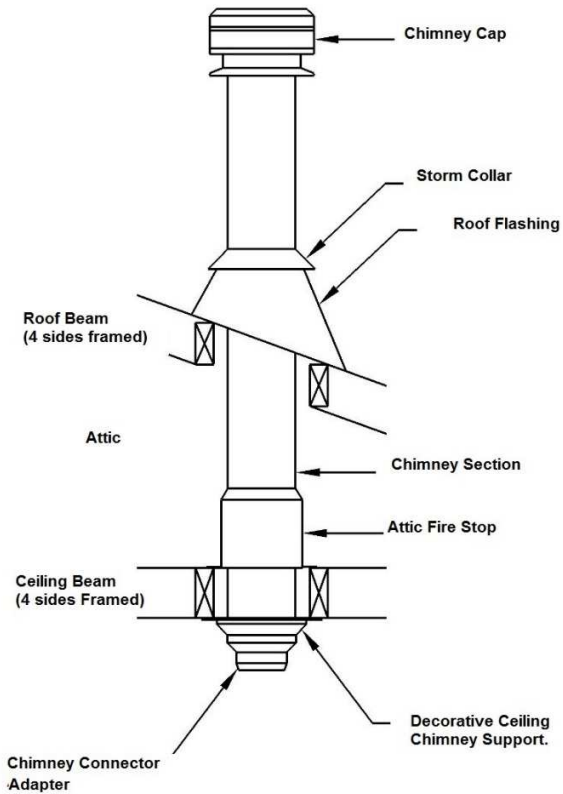
Offset Vertical Installation

The ROBY2500/ROBY2500 CUISINIÈRE cook stove must be installed in accordance with the applicable local laws or the CAN/CSA-B365, NFPA 211 (USA). Follow the chimney manufacturer's instructions to install the chimney.



Vertical Installation

The *ROBY2500/ROBY2500 CUISINIÈRE* must be installed in accordance with the applicable local laws or the CAN/CSA-B365, NFPA 211 (USA). Follow the chimney manufacturer's instructions to install the chimney.



Combustion air intake

In conventional designed homes, natural ventilation is enough to operate the wood stove efficiently.

In mobile homes and Novoclimat homes, stoves might not work properly. When some appliances are in motion, such as tumble dryer, kitchen hood or bathroom fan, the smoke might come in the house because of the depressurization which they would cause. In this case, you must install a combustion air intake system.

A mobile home built on a foundation is considered as a conventional house.

Air Inlet Obstruction

If the stove extinguishes after closing the door, it's possible that the air inlet is obstructed by something.

After a long unused period, insects or animals can build a nest inside the air inlet. In winter, snow can accumulate over the air inlet and obstruct it especially after a storm.

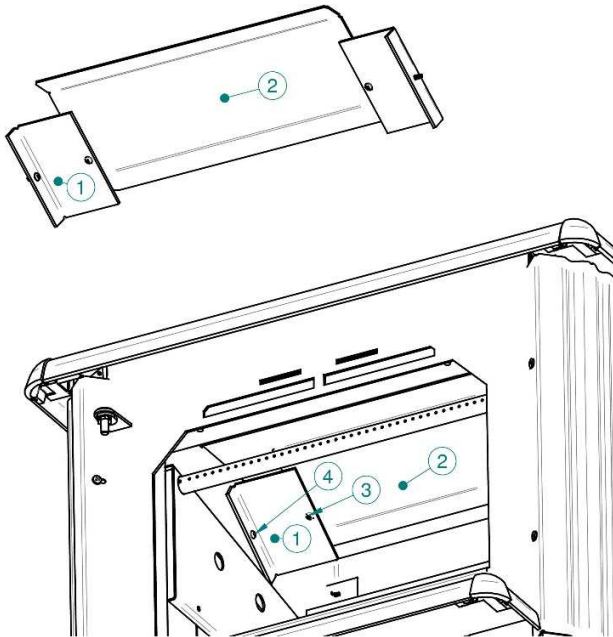
Before warming season, always inspect air inlet pipe to make sure nothing obstructs the outside air inlet.

Replacing stainless steel deflector

Your stove has an inside deflector of stainless steel to prevent premature wear of another steel deflector below. Being exposed to extreme heat, as time goes by, this stainless steel plate will disintegrate and will not work properly. Then it is time to replace this part.

Back Deflector replacement

Remove the rockwool, two weights of half round plate, the bricks and three tubes with a single hole placed at the back of combustion chamber.



Uninstall old deflector and the two lateral supports (#1, #2):

- Remove the screws holding the deflector (#3)
- Remove the screws holding the lateral support (#4)

Install the new back deflector:

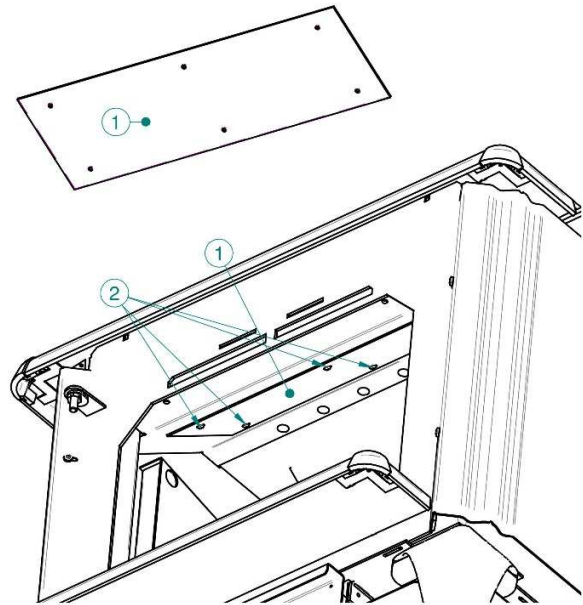
- Install the new lateral support (#1,#4)
- Install the new stainless steel deflector(#3)

Install the disassembled tubes, the rockwool and half round plate weights. Refer to the stainless steel tubes replacement section.

IMPORTANT: You must leave a space of 1 inch between the rockwool and the deflector at the back and this must be always cleared. To make sure of it, remove the connector attached on the collar of the stove and look inside from the collar, otherwise insert a small mirror from the door and over the rockwool to verify the space.

Replacing Front deflector

The stainless steel plate at front is installed to protect the passage of primal air intake. If this plate is broken, the fire would damage the passage then the smoke would come out from the air intake, you must therefore replace it. Take away the first three tubes and the first lane of bricks so that you can do the replacement.



Replacement of the old deflector:

- Remove all the screws of old deflector and take it out.
- Install the new deflector and screw it in place. Pay attention to put all screws.

If there are some holes in the passage, put some heat-resistance latex on the deflector in order to make the air passage airtight.

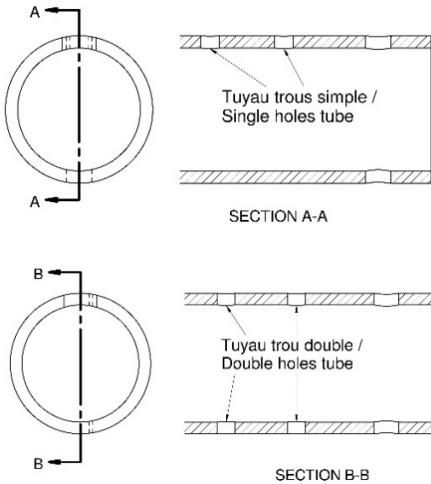
- Reinstall the disassembled tubes, the rockwool and the bricks. Refer to the stainless steel tubes replacement section.

Replacement stainless steel tubes

Although the tubes are made of stainless steel, with extreme temperature and conditions the tubes are eventually corroded and perforated as normal deterioration. They must be replaced by new ones to ensure performance of your stove.

Stainless steel tubes Installation

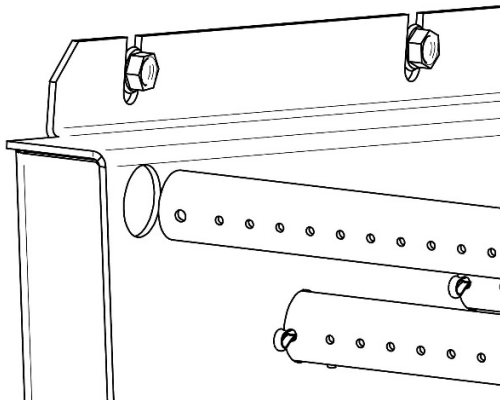
There are two types of tubes used in the stove. Ones perforated on a single side are placed at the back of heat chamber, the others with 2 holes on double sides are at the front.



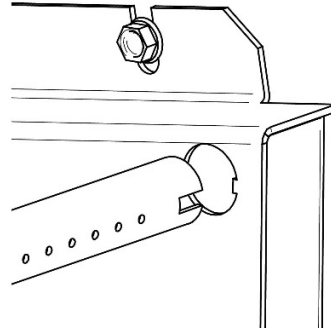
To make sure of right orientation of tube, you find a notch at one end of tubes. The holes on the air intake passage are made into corresponding shapes.

How to install a tube

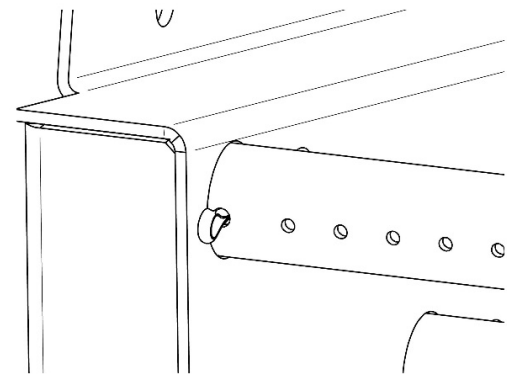
- 1) Insert the tube into the round hole on the air intake passage.



- 2) Align and insert the notched end into the other hole.



- 3) Push completely the notched end and insert the cotter pin into the last hole at the other side.



- 4) Split the cutter pin to lock it.
- 5) Install the next tube.

To remove tubes, do steps in reverse order.

Operating Instructions

Control of primary and secondary air admission

When the handle on the left side of the stove is vertical, the air admission is only from the tube. This is what we called "Secondary air admission". When the handle is horizontal, the air admission is direct and from the top of the door opening, which we call "Primary air Admission".

Warning: Running your stove with the Primary air admission at the maximum for a long period of time, can damage the stove.

IT IS PROHIBITED TO MODIFY THE AIR ADMISSION TO OBTAIN HIGHER HEAT OR FOR ANY OTHER REASON.

Lightning fire

After installing correctly the stove following the installation instruction of the manufacturer, you are ready to light it.

- 1) Turn the admission handle to the horizontal position to set the primary air admission.
- 2) Be sure that all the covers of cooking holes are placed properly.
- 3) Set the deviation selector at the position "close".
- 4) Put paper and lightning wood into the combustion chamber and light them as you do normally.
- 5) Close the door partially leaving a slight opening. When chimney have enough heat buildup, close the door completely keeping the admission handle at the horizontal position. Wait for a good fire buildup.
- 6) Once you have an ember fire, it's time to add logs. Follow now the instruction section on how to keep a fire

DO NOT LOAD THE STOVE OVER THE UPPER BRICK ROW

You can control the combustion by turning up or down the handle. The wood will burn more rapidly when more primary air is set. Otherwise the wood burn more slowly and more efficiently with the handle set to secondary air. You can balance the primary and secondary air to have more heat for cooking.

NEVER LEAVE THE STOVE UNATTENDED WHEN THE DOOR IS SLIGHTLY OPEN. ALWAYS CLOSE THE DOOR AFTER LIGHTNING.

CAUTION: NEVER USE GAZOLINE, GAZOLINE TYPE LANTERN FUEL, KEROSEN, CHARCOAL LIGHTER FLUID, OR SIMILAR LIQUIDS TO START OR "FRESHEN UP" THE FIRE IN THIS HEATER. KEEP ALL SUCH LIQUIDS AWAY FROM THE HEATER WHILE IT IS IN USE. DO NOT BUILD THE FIRE NEAR THE FRONT GLASS.

First fire

For the first hours of operation, you must heat your appliance gradually. In order to allow an appropriate baking of the paint and to facilitate its adhesion with metal, do not heat the appliance with a strong fire. It will also avoid thermal shock which could lift up the paint or make the color fade. Make sure that the room is ventilated enough in order to eliminate the odor and the smoke coming from the paint. It is normal that a light smoke is released from the paint for the first time.

Even if this nuisance is temporary, open the windows and the doors in order to ensure a good ventilation. This special paint is conceived to tolerate temperatures until 1200°F (650°C).

Keeping a fire

To add firewood into the stove and keep a fire:

- 5) Turn the handle to horizontal position and wait a few second to let the fire adjust to the new condition.
- 6) Turn the handle to the first position and wait a few second to balance pressure to avoid smoke coming out from stove.
- 7) Put the handle at the full-open position and open the door half-open. Wait for the fire to get stable.
- 8) Open the door widely.
- 9) Move embers with poker near the door to supply oxygen and burn them completely.
- 10) Add firewood over the ember keeping it away from the glass door to avoid flame touching the ceramic glass.

ATTENTION: DO NOT LOAD THE STOVE OVER THE LEVEL OF FIREBRICKS. DO NOT BUILD THE FIRE NEAR THE DOOR GLASS.

- 11) Close the door slightly and leave the wood burning.
- 12) Once the fire gets stable, close the door completely.
- 13) Adjust the air admission handle if necessary.

NEVER LEAVE THE STOVE UNATTENDED WHEN THE DOOR IS SLIGHTLY OPEN. ALWAYS CLOSE THE DOOR AFTER ADDING A LOAD.

CAUTION: NEVER USE GAZOLINE, GAZOLINE TYPE LANTERN FUEL, KEROSEN, CHARCOAL LIGHTER FLUID OR SIMILAR LIQUIDS TO START AND "FRESHEN UP" THE FIRE IN THIS HEATER. KEEP ALL SUCH LIQUIDS AWAY FROM THE HEATER WHILE IT IS IN USE.

Fan Control

On the Snap Disc box, an automatic fan controller, there is simply a switch to turn it on and off.

When it's on, the fan goes off at the moment when the temperature of ventilation box gets higher than 120 Fahrenheit (49 degree Celsius).

The fan doesn't work when the switch is off.

WARNING: THE POWER CORD MUST NOT BE PLACED UNDER OR IN FRONT OF THE APPLIANCE.

Maintenance

Ash Removal

The ash has to be removed periodically every 2 or 3 days during heavy warming period. Never leave excessive accumulation into the combustion chamber because it can reduce performances of your stove by limiting the air circulation between logs.

The best time to remove ash is after a long warming period, as in a morning, when the stove is relatively cold enough to manipulate ash and the chimney is still hot. The hot chimney draft will vacuum the dust inside the stove.

To remove ash from the combustion chamber, you must have the following tools:

- Ash shovel,
- Ash brush,
- A metal bucket with airtight lid.

Some embers are mixed with ash and remain lit a few hours or even a few days. It is therefore very important that the metal bucket has an airtight lid. The bucket must be put on a non-combustible tile or brick.

The stove is equipped with an ash drawer and it is closed by a cast plug with a glass fiber cord. The plug is in the combustion chamber between two bricks at the front of the stove.

- 1) Remove as much ash as you can with the shovel and put it into the metal bucket.
- 2) Remove embers and ash covering the plug with the ash brush.
- 3) Turn clockwise the plug and pull it.

Warning: The plug stays very hot right after the extinction of fire. Use fireproof mitt or pliers to turn and pull the plug.

- 4) Push embers and ash into the ash drawer. **Do not overcharge the ash drawer.**
- 5) Empty the ash drawer into the Metal bucket. **Never leave ash and embers in the ash drawer.** Some embers can be lit and make smoke.
- 6) Clean around the plug to be sure the plug will be airtight.
- 7) Reinstall the plug by pushing it into the hole and turn counter clockwise to lock it in place and be sure it is airtight.

A plug leakage can let in oxygen and reduce the combustion time. Please inspect the plug seal and change it if it is damaged.

Ash Disposal

Some embers are mixed with ash and can remain lit. If embers have enough oxygen, it can stay lit some hours and even some few days.

It's therefore mandatory to store ash:

- In a hermetic metal container with an airtight lid,
- Outside the house on a non-combustible material,
- Far enough any combustible material, inflammable liquid and vapor.

If the ash is disposed of by burial in soil or otherwise locally dispersed, they should be retained in the closed container until all cinders have thoroughly cooled.

NEVER PUT WASTE INTO THE ASH CONTAINER.

Creosote Formation

When wood is burning slowly, it produces tar and other organic vapors which are combined with expelled moisture to form creosote. The creosote vapor is condensed in the cold chimney and, as a result, creosote residue accumulates on the flue lining. When it burns, the creosote releases intense heat and it might result in a chimney fire.

The chimney connector and chimney should be inspected at least once every two months during the heating season to determine if a creosote buildup has occurred.

Chimney Inspection

Wood moisture, wood species and the combustion quality are the factors that can influence the speed of creosote buildup into chimney and chimney connector.

The chimney and the chimney connector must be inspected at least one every two month during the warming season. You can call a Chimney sweeper to evaluate the creosote formation or you can do it yourself. Extinguish the wood stove and wait until it gets cool. Then unscrew the chimney connector to verify it. Inspect the factory build chimney with a spot light to see if a creosote buildup has occurred. For a masonry chimney, insert a mirror in the cleanout opening at the bottom. For an outdoor factory build chimney, open the cap at the bottom of chimney to inspect inside. It is preferable to do the inspection on a sunny day so that you would have enough light.

With creosote buildup of 1/8 inch (3 mm) or more, the diameter looks so smaller that you cannot see the chimney cap. It's a sign that is time to sweep your chimney and remove creosote in order to avoid a chimney fire.

Chimney Sweeping

Chimney Sweeping needs special tools like some glass fiber rods and a suitable brush to the chimney's diameter.

It also requires to go up on the roof to remove the chimney cap and even a part of the chimney in case that your chimney exceeds 5 feet from the roof.

We recommend to call a Professional chimney Sweeper certified by APC in Quebec, the WETT in the rest of Canada or by NFI in United States.

Door maintenance

The door is the mobile element that need a special attention. Its tightness is primordial. If you see the white soot sticking on the door glass and on the surface where the air passes, it is the time to change the braided glass fibre rope.

Air Tighten Adjustment

If the braided glass fiber rope still seems good enough but little flatten, it needs probably to be stuck against the door.

Door adjustment (hinge side)

Important: To keep squareness of the door, keep the door locked and loosen only one hinge at a time.

- 1) Loosen lightly upper hinge.
- 2) Push the door against the stove so that the glass fibre rope is flattened.
- 3) Keeping the door pressed against the stove, tighten the upper hinge.
- 4) Loosen lightly lower hinge.
- 5) Push the door against the stove so that the glass fibre rope is flattened.
- 6) Keeping the door pressed against the stove, tighten the lower hinge.
- 7) Open the door and slide a piece of paper in the gap in the door, then close the door.
- 8) If you can easily pull out the paper without tearing, please repeat the previous steps.
- 9) Even after several attempts, if the paper comes off easily, the braided glass fiber rope must be changed.

Door adjustment (right side)

You can do this adjustment with the screw under the door near the hook hole.

- 1) Unlock and open the door.
- 2) With a square-headed screwdriver, turn clockwise the adjustment screw a quarter turn.
- 3) Put a piece of paper between the stove and braided glass fiber rope, then close and lock the door.
- 4) If the paper easily comes out when you pull it, repeat step 1 to 3 again.
- 5) If the screw is completely tightened and the paper comes out easily, you have to change the braided glass fiber rope.

Some models might have two screws apart on the front face. These must not be unscrewed in any case. They hold the rolling mechanism to lock the door.

Cleaning up glass

To clean the door glass, J.A. Roby Inc. recommends using products for this purpose or an oven cleaner only for glass part.

- Avoid cleaning hot glass and cleaning with abrasive. Cleaning hot glass can cause a thermal shock and brake the glass.

Disassembly and reassembly of door

Do not unscrew the lower hinge when disassemble the door.

- 1) Keep the door locked.
- 2) Loosen the upper hinge without removing the nut.
- 3) Unlock the door and open it while holding it.
- 4) Tilt the door slowly downward to remove the upper hinge
- 5) Lift the door and remove the lower hinge.

Installing the door :

- 1) Insert the bottom hinge and bring up the door. Place the nail in the upper hinge.
- 2) Close and lock the door, then make sure the door is placed horizontally.
- 3) Tighten the upper hinge and align the washer with the hinge support.
- 4) Carry out the air tighten adjustment.

Replacing broken glass

- **Do not hit the glass to avoid breaking it**
- **Do not pour water. It might cause thermal shock.**
- **Do not slam the door.**
- **Do not build fire too close the door.**

WARNING: NEVER USE THE STOVE WHEN THE GLASS IS BROKEN OR CRACKED.

Replace only with a 4 mm ceramic glass with the right shape. Contact your retailer to get the replacement glass panel.

DO NOT USE SUBSTITUTE.

How to replace glass:

- 1) Loosen partially the screws retaining the four glass supports.
- 2) Remove the broken pieces of glass and clean the door.
- 3) There must be a flat glass fibre rope for airtightness around the glass. You have to install new one in case of loss or damage. The flat glass fiber rope is self-adhesive. Stick it around the glass without pressing it excessively.
- 4) Install the new glass panel and replace the lower support first and gently tighten screw. If you tighten it too much, it might make a pressure point and break the glass when it becomes hot. Then press gently the glass fibre rope against the door.
- 5) Install the upper support and tighten the screws gently but not too tight.
- 6) Check all the screws.

If it is impossible to replace the glass in vertical position, you may have to remove the door. Refer to the section concerned in this manual.

Replacing glass fiber rope

When the braided glass fibre rope is all flattened out, it becomes impossible to close the door hermetically. This means that the glass fibre rope is no longer usable or that the rope is damaged. You must therefore replace it.

Use a ½ inch (12.7mm) braided glass fiber rope.

It is preferable to detach the door from the stove when you replace the rope. Refer to the section concerned in this manual.

Glass fiber rope preparation

- 1) Take the end of the glass fiber rope and tuck fiber inside to make a clean end.
- 2) Put little amount of high temperature sealant, such as latex or silicone, at the end of the fiber glass rope so that it won't come loose.
- 3) Remove old glass fiber rope from the door and clean the groove.
- 4) Starting from the lower corner near the hinge, put the glass fiber rope into the groove without giving any tension. Verify the length of rope.
- 5) Cut it ½ inches over the require length and repeat step 1 and 2.

Glass fiber rope installation

- 1) Put a high temperature sealant in the clean groove to glue the glass fiber rope.
- 2) Place glass fiber rope into the groove starting from the lower corner near the hinge without giving any tension
- 3) Glue the two glass fiber rope ends with high-temperature sealant to make a right angle.
- 4) Let dry the sealant for at least 48 hours before use. Reassemble the door on the hinges if you uninstall it and readjust the airtightness.

What to do in case of Chimney Fire

Contact your local authority to know what to do in case of Chimney fire. Keep in mind the procedure in case of chimney fire.

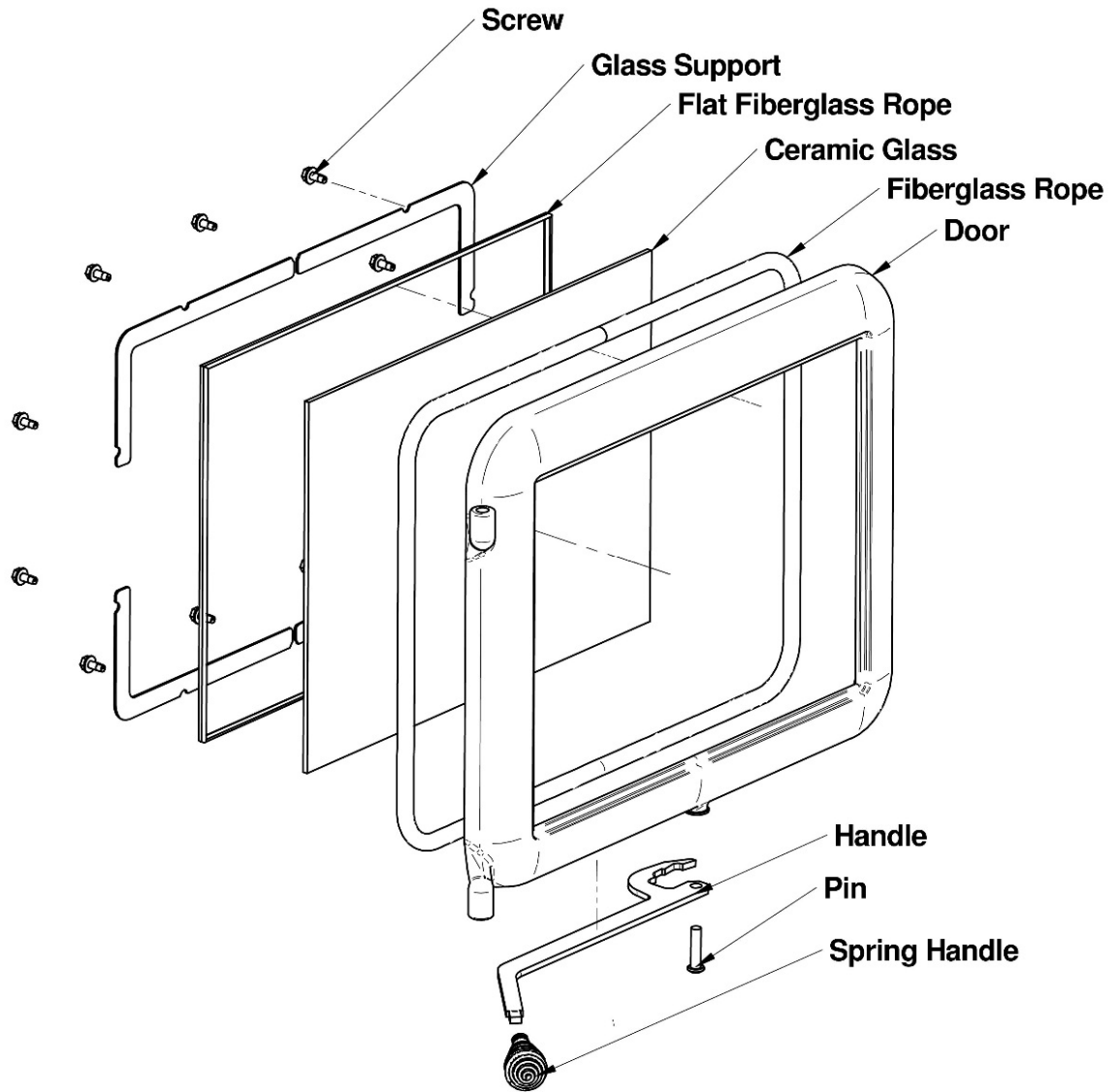
1. Close all the doors, the air intakes and the vent damper
2. Pour water on combustible material around stove.
3. Call the fire department and trigger alarm. Leave the house if necessary.
4. Never touch the chimney and pipes before the fire is completely extinguished.
5. Do not use the chimney before it has been inspected and repaired.

Annexe 1

Door assembly

Wood Stove Door

*The same assembly for an arc wood stove.



Annexe 2

Replacement parts

- Bricks
- Stove ceramic glass
- Spring handle
- Stove door
- Fans
- Flat fiber glass rope (around glass)
- Round fiberglass rope
- Ash plug
- Slotted brick washer

Call your sales representative to order these parts.



STOVES & FIREPLACES



J. A. Roby Limited Lifetime warranty

WOOD BURNING STOVES & FIREPLACES

J. A. ROBY’s warranty only applies to original buyer and is non-transferable. This warranty covers brand new products only, which have not been altered, modified nor repaired since shipment from factory. The products covered by this warranty must be manufactured after the review date indicated at the bottom of page. Proof of purchase (dated bill of sale), model name and serial number must be supplied when making any warranty claim to your J. A. ROBY dealer. Registering your warranty is not required.

The appliance must be installed by an authorized service technician or contractor. Installation must be done in accordance with the installation instructions included with the product and all local and national building and fire codes. Any service call related to an improper installation is not covered by this warranty. This warranty applies to normal residential use only. This limited warranty does not cover damages caused by misuse, improper installation, lack of maintenance, accident during transportation, alterations, power failure, venting problems, downdrafts, abuse, over firing or neglect. Operating the appliance on high for extended periods of time is considered as a neglect. Any defect or damage caused by the use of unauthorized parts or other than original parts void this warranty.

This limited warranty does not cover any scratch, corrosion, warping or discoloration. The manufacturer may require that defective products be returned and/or that digital pictures be provided to support the claim. Returned products are to be shipped prepaid to the manufacturer for investigation. If a product is found to be defective, the manufacturer will repair or replace such defect. The transportation fees to ship back the product to the purchaser will be paid by the manufacturer². The external labour fees related to warranty repair are not covered. The manufacturer may, at its discretion, decide to repair or replace any part or unit after inspection and investigation of the defect. The manufacturer may, at its discretion, fully discharge all obligations with respect to this warranty by refunding to the original warranted purchaser the wholesale price of any warranted but defective part (s). The manufacturer shall not in no event be liable for any special, indirect or consequential damages of any nature whatsoever which exceeds the original purchase price of the product. All parts replaced under this limited lifetime warranty are subject to a single claim.

Any damage to the appliance, combustion chamber, heat exchanger, enameled cast iron cooking plate or other components due to water, weather damage, long periods of dampness, condensation, damaging chemical or cleaner will not be the responsibility of J. A. ROBY. Failure of any components which is attributed to poor maintenance, is not warrantable and will not be covered by this policy. J.A. ROBY neither assumes, nor authorizes any third party to assume, on its behalf, any other liabilities with respect to the sale of this product.

The manufacture of your new appliance and the following materials are warranted against defects as mentioned below:

WARRANTY DESCRIPTION	100%	50% current retail price
Ashtray, handles, doors and cast iron legs	Life	
Combustion chamber	5 years	From 5 years to life
Secondary air tubes	5 years	
Heat exchanger	2 years	From 2 years to life
Switches, Snap Disc, wiring and electrical components, standard blowers and rheostat	2 years	
Tempered glass, optional blower and gasketing	1 year	
Ceramic glass (thermal breakage only ¹)	1 year	
Replacement parts (with proof of purchase)	90 days	

Due to on-going product improvements, all specifications and design are subject to change without prior notice.

Before shipping your unit or defective component to our plant, you must obtain an authorization number from J. A. ROBY dealer. Any merchandise shipped to our plant without authorization will be refused automatically and returned to sender.

1= Digital pictures required 2= Shipping cost are not covered outside CANADA

Review Oct. 2014