

ASTRA DUO 38

HIGH-EFFICIENCY SEE-THROUGH FIREPLACE



suprme

ASTRA DUO 38

SEE-THROUGH FIREPLACE



Astra Duo 38 shown with traditional surround



HEAT CAPACITY

1,000 to 2,500 sq.ft.



HEATING TIME

6 to 12 hours



FIREBOX SIZE

3.8 cu ft



GLASS DIMENSIONS

22 7/8" x 15 3/8"



MAX. HEAT OUTPUT

125,000 BTUs



LOG SIZE

Up to 23"



EMISSIONS

2.16 g/hr



CHIMNEY

6" listed to UL103/
ULC S629 standards

ASTRA DUO 38



Astra Duo 38 shown with clean face surround and square grills



HEAT CAPACITY

1,000 to 2,500 sq.ft.



HEATING TIME

6 to 12 hours



FIREBOX SIZE

3.8 cu ft



GLASS DIMENSIONS

22 7/8" x 15 3/8"



MAX. HEAT OUTPUT

125,000 BTUs



LOG SIZE

Up to 23"



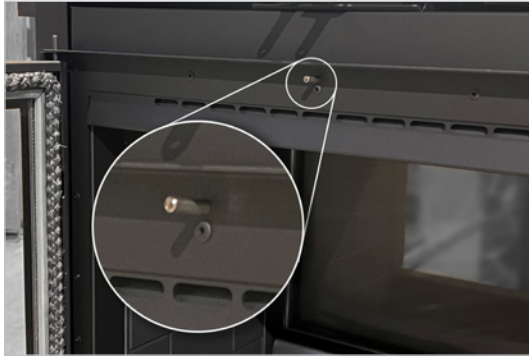
EMISSIONS

2.16 g/hr



CHIMNEY

6" listed to UL103/
ULC S629 standards



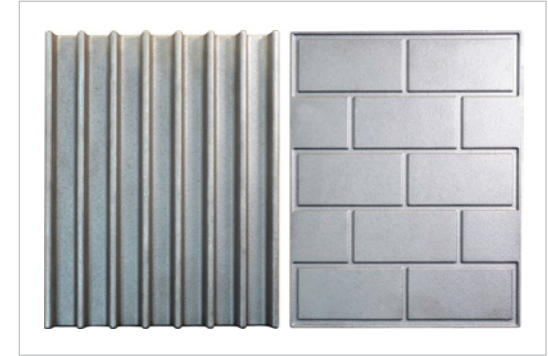
BYPASS MECHANISM

The bypass is a rod located on the top of the door frame. When opening the door, the rod engages the chimney sweeping cap. This helps redirect the smoke to the chimney during start-up and reload.



PATENTED AUTOMATIC AIR CONTROL

This patented, user-friendly mechanism automatically reduces the amount of combustion air introduced during ignition to the desired burn rate setting. The result is a beautifully consistent fire burning to its full capacity.



REVERSIBLE CAST-IRON PANELS

Crafted with care, our heavy-duty cast iron panels are stamped with a brick pattern on one side and a flowing contemporary design on the other. These reversible panels provide a versatile design that is as beautiful as it is functional.



INNOVATIVE BAFFLE DESIGN

Most EPA units have secondary air tubes that reduce the firebox height and require maintenance. Our unique design allows secondary air to enter through a perforated baffle offering an unimpeded view of the fire all while increasing the efficiency and combustion.



DUAL BLOWER SYSTEM (110 CFM)

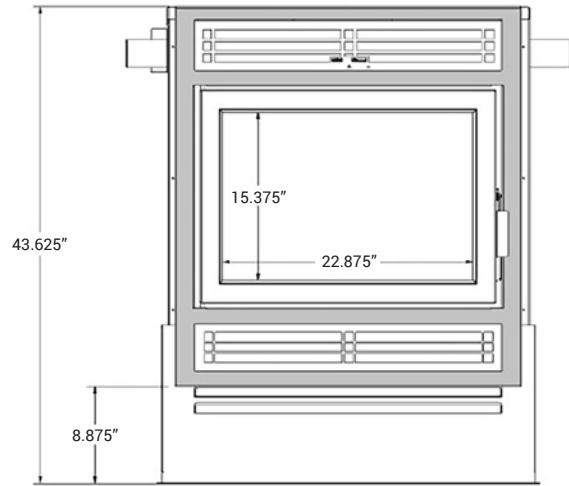
The dual blower system helps distribute the convection heat more efficiently into the room. As the combustion progresses, the blowers automatically activate with the heat and can be set using the variable speed control.



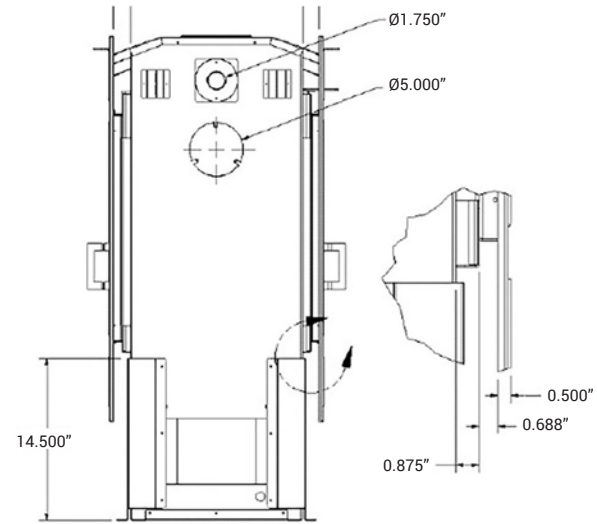
PATENTED VARIABLE AIR CONTROL

A variable amount of secondary air is introduced into the firebox that mixes with the rising gases of the wood. The result is an appealing and unique arrangement of flames that prolongs combustion, increases efficiency and minimizes emissions.

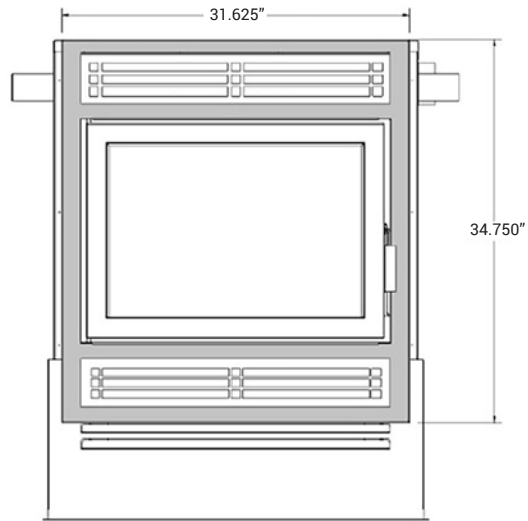
Astra Duo 38 Traditional



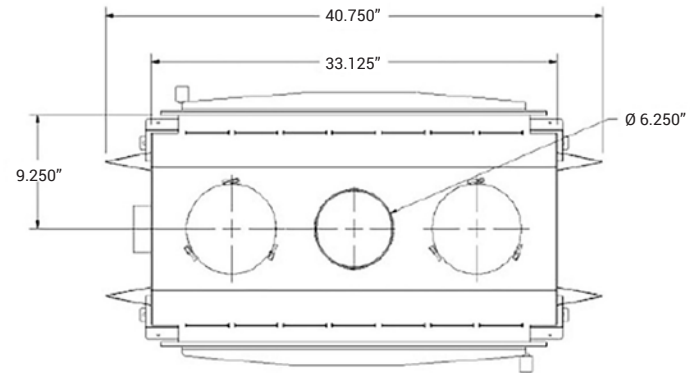
FRONT VIEW



SIDE VIEW



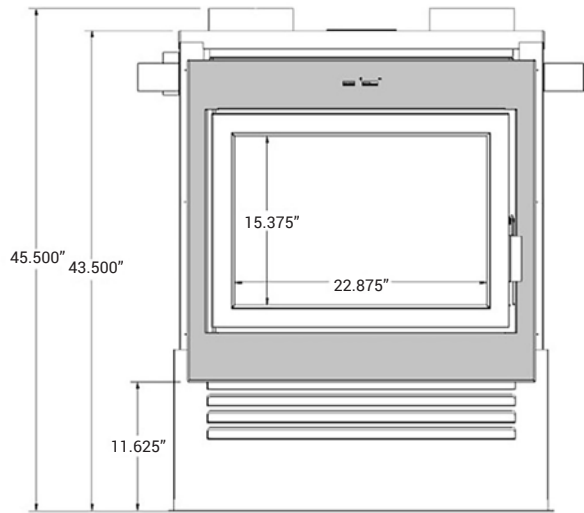
BACK VIEW



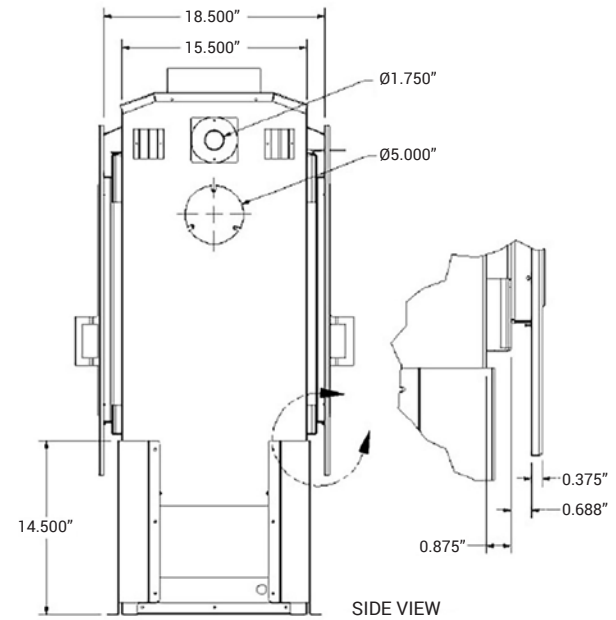
TOP VIEW

Weight: 340 lbs

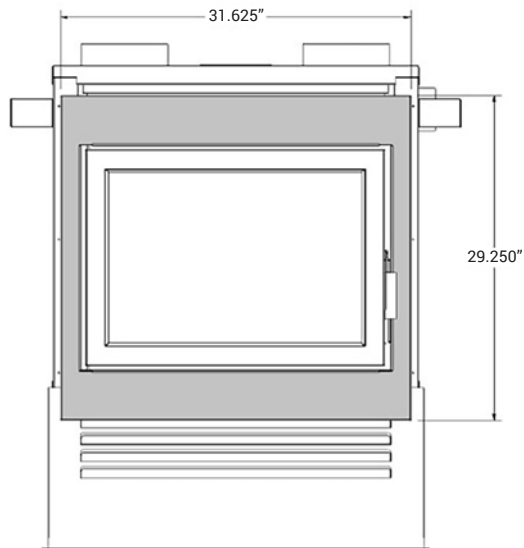
Astra Duo 38 Clean Face



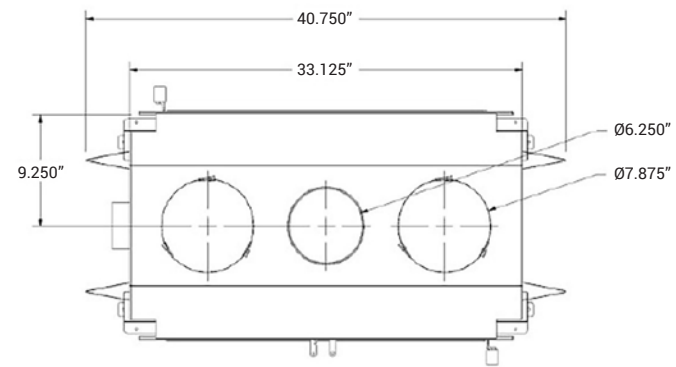
FRONT VIEW



SIDE VIEW



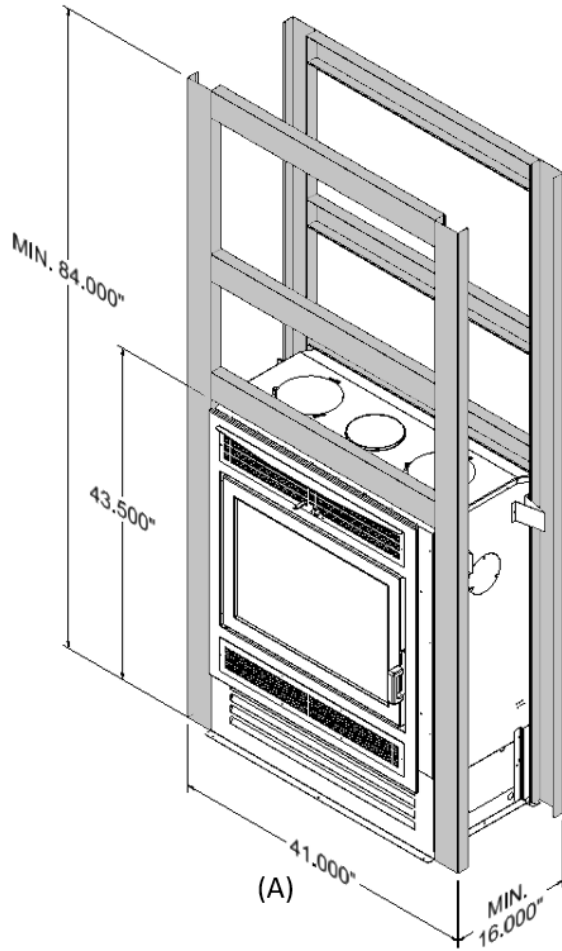
BACK VIEW



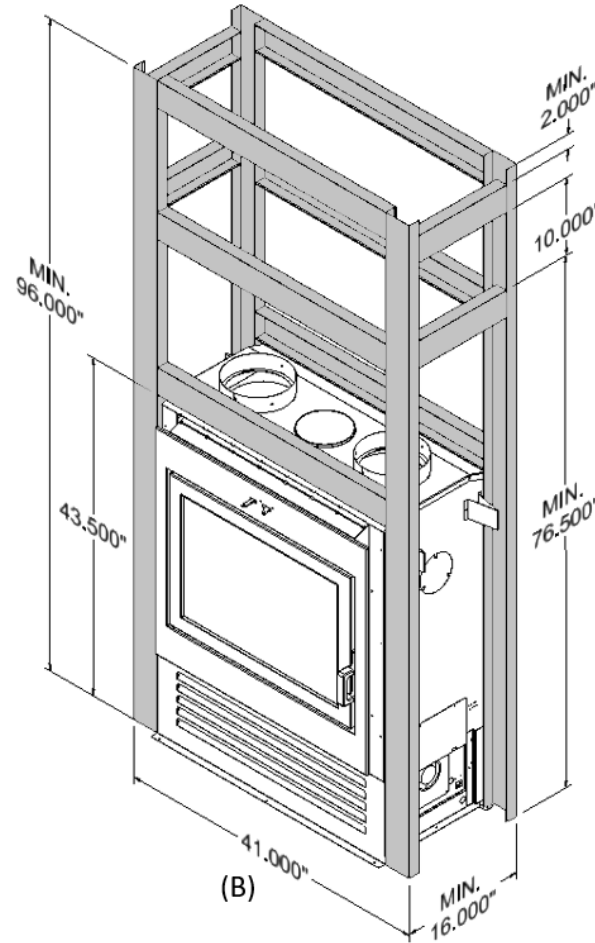
TOP VIEW

Weight: 340 lbs

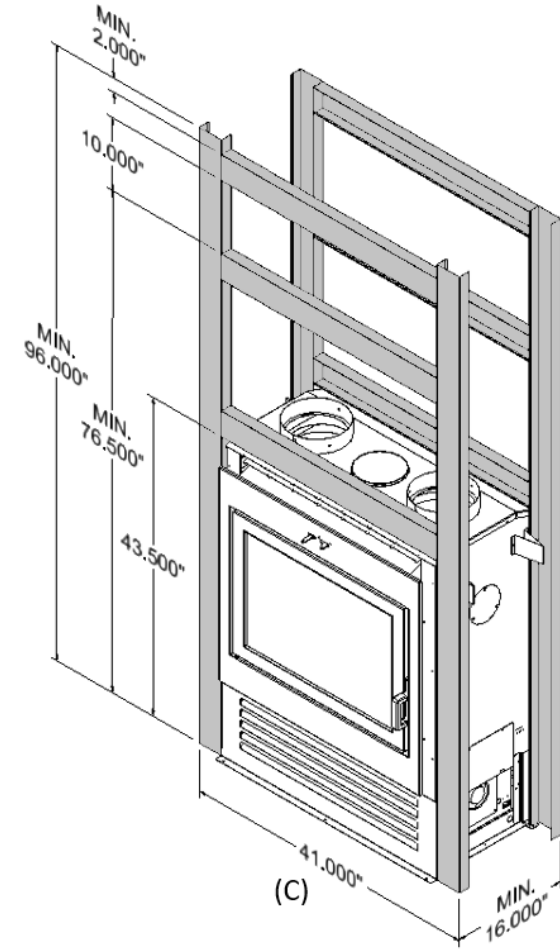
Astra Duo 38 Framing



A) Traditional Surround Configuration



(B) Contemporary Surround
with Side Wall 8" Gravity Ducts



(C) Contemporary Surround with Front
or Back Wall 8" Gravity Ducts

CLEARANCES TO COMBUSTIBLES

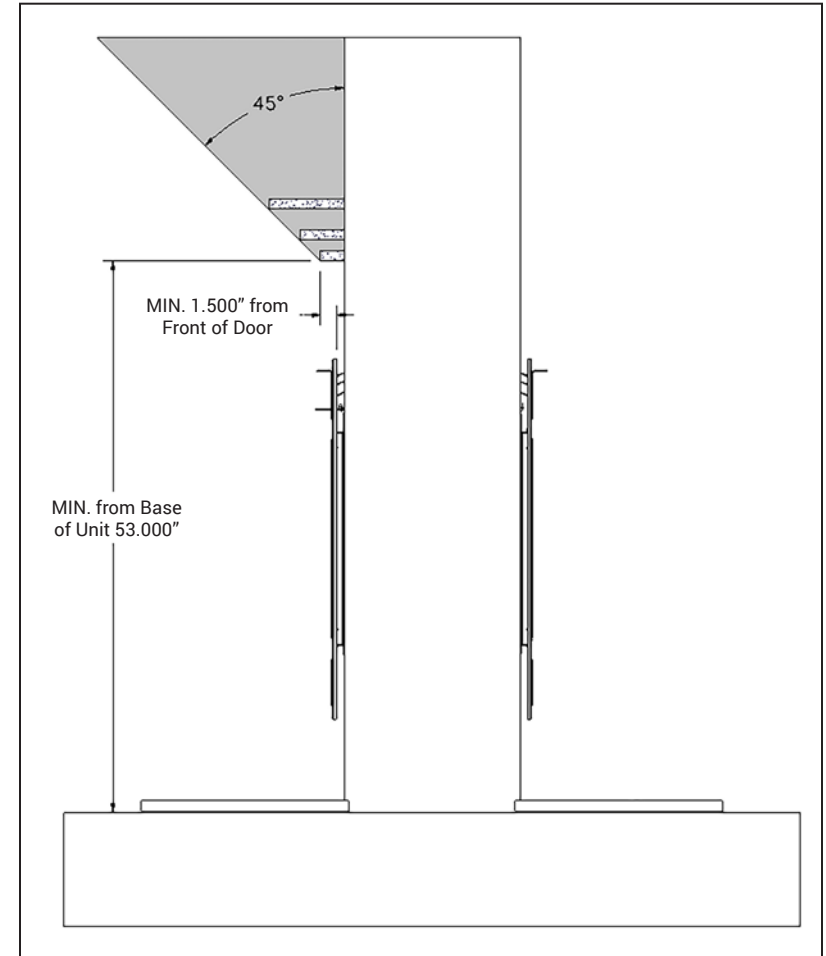
The clearances below must be respected to ensure safe operation of the unit under normal and extreme conditions. Failure to follow the information below is a safety hazard and may result in property damage.

Combustible	Clearance	Reference
Side Wall	10" (254 mm)	Outer edge of fuel door
Side Trim	10" (254 mm)	Outer edge of fuel door
Ceiling – Traditional Surround	84" (2134 mm)	Base of unit
Ceiling – Contemporary Surround	96" (2438 mm)	Base of unit

Profondeur maximale du manteau	Distance de la base du Astra Duo 38 à la base du manteau combustible
1.5" (38 mm)	53" (1346 mm)
3.5" (89 mm)	55" (1397 mm)
6.5" (165 mm)	58" (1473 mm)

The depth of the mantle is measured from the face of the fireplace door. When the non-combustible wall is recessed, the depth of the mantle can be increased by the amount of the recess (see Figure 3-16). Note that a combustible mantel cannot be installed below the minimum clearance of 53" (from the bottom of the mantle to the base of the unit). A non-combustible mantel doesn't require a minimum distance from the fireplace.

WARNING: A minimum clearance of 48" is required between the doors of the Astra Duo and any combustible material not specified in this document.



Combustible Mantel Clearances

supreme



3594 Jarry East, Montreal, Quebec H1Z 2G4

Telephone: 514.593.4722 Toll-free: 1.877.593.4722 Fax: 514.593.4424

www.supremem.com | info@supremem.com

Note:

Information and images contained in this catalog are subject to change and should be used for reference only. All installations should be done in accordance to the specifications detailed in the owner's manual.