

WCT6820

 SIGNATURE SERIES EPA WOOD BURNING FIREPLACES

  
*Our name is our promise.*



**TRADITIONAL**

High efficiency, EPA-certified wood burning fireplace beautifully combines the craftsmanship of a traditional masonry fireplace with clean and powerful non-catalytic combustion heating.



FEATURED WCT6820 shown with White Stacked Textured Panels and Smooth Facade and door

## EXCLUSIVE FEATURES

- 🔥 Circulating design features facade, arch door and ceramic glass for optimum heat transfer
- 🔥 EPA phase II certified and Washington State approved wood heater
- 🔥 2.0 cubic foot insulated firebox that accepts up to 19" log size for increased performance
- 🔥 White stacked textured refractory panels with integrated ash lip and decorative cast iron log retainer
- 🔥 Air combustion control for variable heat output with air boost for faster wood ignition during startup
- 🔥 Includes insulated outside air kit (required for use)
- 🔥 86.6% Thermal efficiency and heats up to 1,500 square feet\*
- 🔥 Efficient air wash system that keeps glass clean
- 🔥 Cast or steel door available with heat resistant door handle that stays cool to the touch
- 🔥 Includes heat activated 200 CFM UZY-5 variable speed blower for time-delayed heat distribution
- 🔥 Dual ducted gravity kit and/or thermostatically controlled forced air kit available (three maximum outlets)
- 🔥 Durable high temperature paint finish
- 🔥 Uses SCIL (ACBI) 6" air cooled wood burning chimney
- 🔥 Uses SCIL (ASHT / HT6103 / S-2100 / HT6000) 6" insulated wood burning chimney
- 🔥 20 year limited warranty

## INTERIOR

(Standard)



White Stacked

## DOORS

(One required)



Cast-Iron



Hammered-Steel



Smooth

## FACADES

(One required)



Hammered-Steel

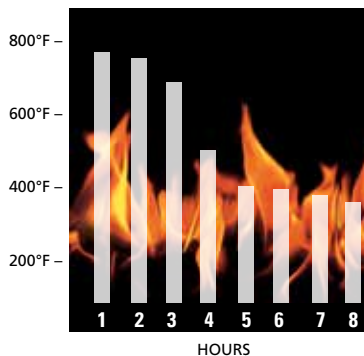


Smooth

## ADDITIONAL ACCESSORIES

- A. Cast Iron, Hammered Steel or Smooth Door (One Required)
- B. Hammered Steel or Smooth Facade (One Required)
- C. Rigid Fire Screen
- D. Double Duct Gravity Vent
- E. Forced Air Kit
- F. Variable Speed Switch for Blower

## BURN RATES\*

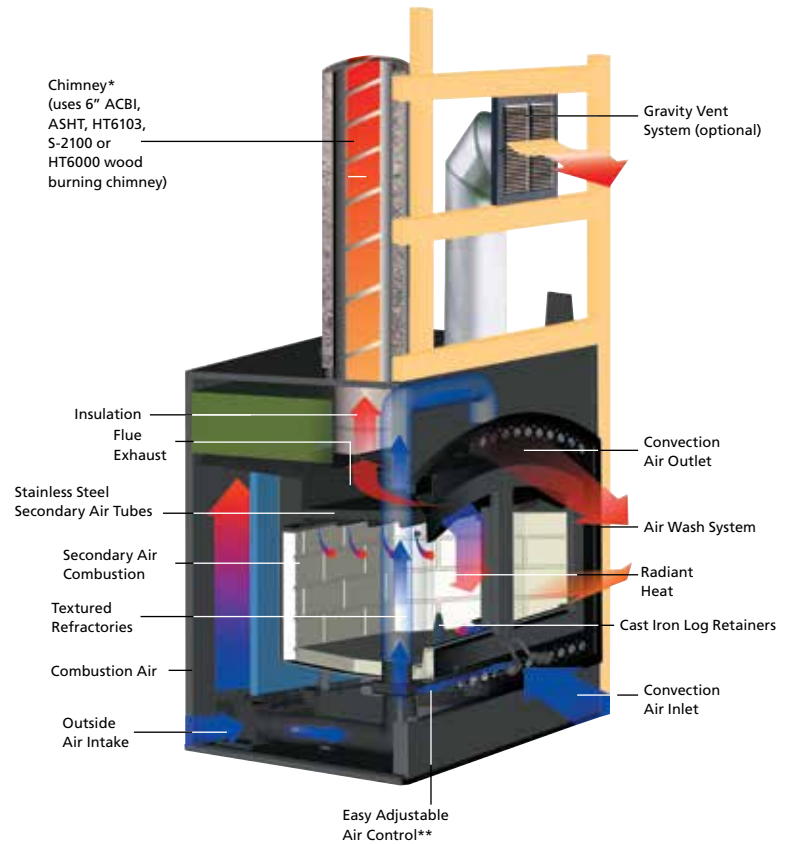


\*Results obtained by burning 25 lbs. of dry maple wood. (one hour pre-heating)

## MULTI-ROOM HEATING OPTIONS

The WCT6820 wood burning fireplace can be used to heat multiple rooms within your home with our gravity vent kit option. Through natural convection or with the aid of the heat-circulating fan, warm air can be directed up to 10 feet away into one or two adjacent rooms, giving you the flexibility to heat up to three areas. Heat the family room with the fireplace, and the dining room and upstairs bedroom with the gravity vent kit. Or you can choose to more efficiently heat a large space by directing heat through multiple vents.

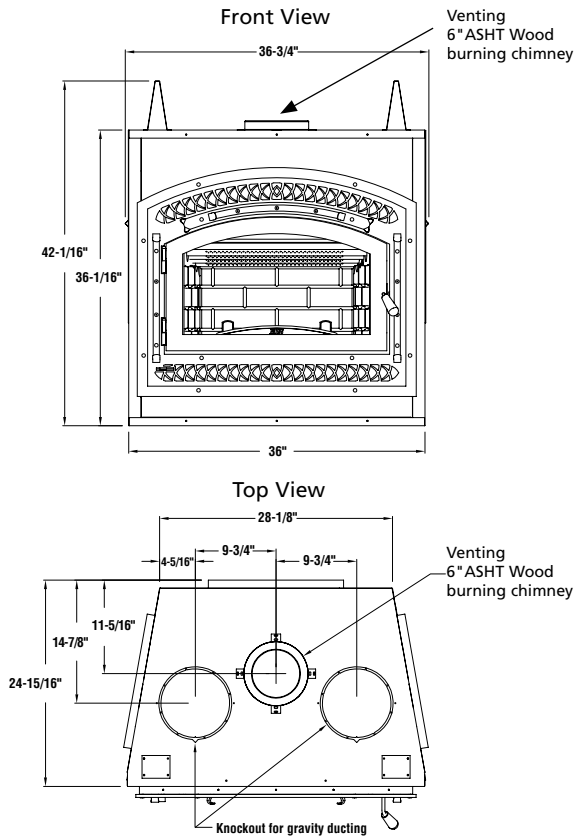
## ENGINEERING FEATURES AND SPECIFICATIONS



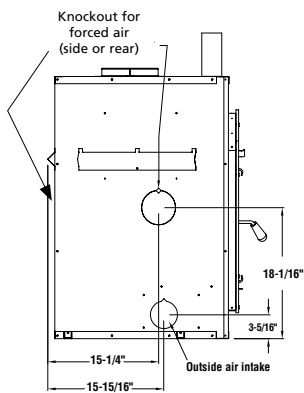
\*Air-cooled chimney not recommended for use at elevations above 4,000 feet or in climates where temperatures will fall below 32° Fahrenheit (0° Celsius).  
Double doors shown available on WCT6840 only.

\*\*Air-cooled chimney not recommended for use at elevations above 4,000 feet or in climates where temperatures will fall below 32° Fahrenheit (0° Celsius).

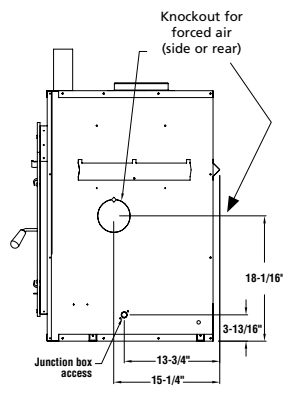
## APPLIANCE SPECIFICATIONS



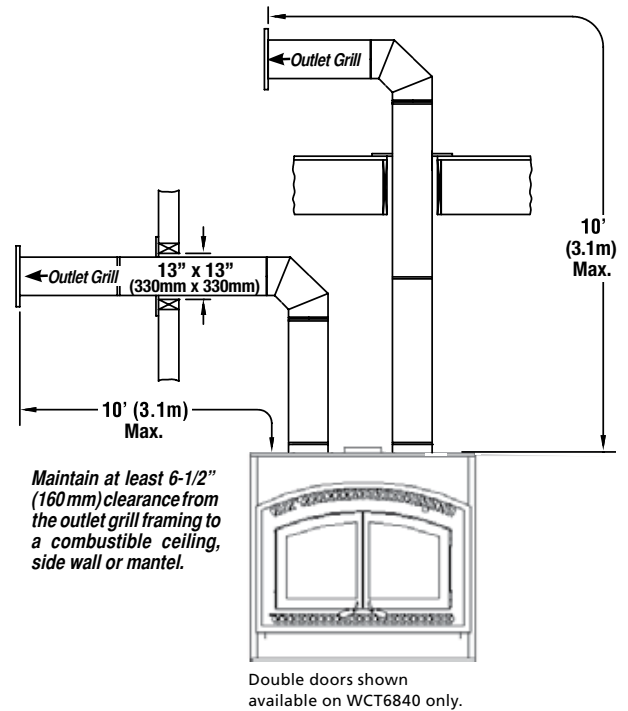
Left Side View



Right Side View



## INSTALLATION SPECIFICATIONS



## PRODUCT SPECIFICATIONS

Glass Viewing Area (W x H)	22-1/2" x 12-1/4"
Firebox Interior (W x H x D+)	22" x 11-3/4" x 12"
Interior Cubic Feet	2.0
Maximum Log Size	19"
Chimney Size	6"
EPA Rating	3.7 grams/hr
BTU's	55,000
Heating Capacity (up to)	1,500 sq. ft.
Thermal Efficiency	86.6%
Blower	200 CFM
Weight	303 lbs.

+Measured in front of door

### IMPORTANT NOTES:

As with any fireplace, this appliance is extremely hot during operation. Read and understand all operating instructions before using this appliance. For further information, consult your dealer.

Local conditions, such as elevation and choice of fuel will affect overall appearance of the fire and heating performance. Performance can also vary with home design and insulation, ceiling height, accessories chosen and appliance location.

Diagrams, illustrations and photographs are not to scale — consult installation instructions. Product designs, materials, dimensions, specifications, colors and prices are subject to change or discontinuance without notice.



© 2014 Innovative Hearth Products

785565M 07/14

Visit us online



SuperiorFireplaces.us.com

