

WCT6840

 SIGNATURE SERIES EPA WOOD BURNING FIREPLACES

Superior[™]
FIREPLACES
Our name is our promise.



TRADITIONAL

High efficiency, EPA-certified wood burning fireplace beautifully combines the craftsmanship of a traditional masonry fireplace with clean and powerful non-catalytic combustion heating.



FEATURED WCT6840 shown with White Textured Stacked Panels and Hammered-Steel Facade and doors

EXCLUSIVE FEATURES

- 🔥 Circulating design features facade, arch doors and ceramic glass for optimum heat transfer
- 🔥 EPA phase II certified wood heater
- 🔥 4.0 cubic foot insulated firebox that accepts up to 30" log size for increased performance
- 🔥 White stacked textured refractory panels with integrated ash lip and decorative cast iron log retainer
- 🔥 Air combustion control for variable heat output with time-delayed air boost for faster wood ignition during startup
- 🔥 Includes insulated outside air kit (required for use)
- 🔥 86.7% Thermal efficiency and heats up to 2,500 square feet*
- 🔥 Efficient air wash system that keeps glass clean
- 🔥 Steel double doors with heat resistant door handles that stay cool to the touch
- 🔥 Includes heat activated 350 CFM UZY-7 variable speed blower for time-delayed heat distribution
- 🔥 Dual ducted gravity kit and/or thermostatically controlled forced air kit available (three maximum outlets)
- 🔥 Durable high temperature paint finish
- 🔥 Uses SCIL (ACBI) 7" air cooled wood burning chimney
- 🔥 Uses SCIL (S-2100 / HT6000) 7"-2" diameter insulated wood burning chimney
- 🔥 Lifetime limited warranty

INTERIOR

(Standard)



White Textured Stacked Panels

FACADES

(One required)



Hammered-Steel

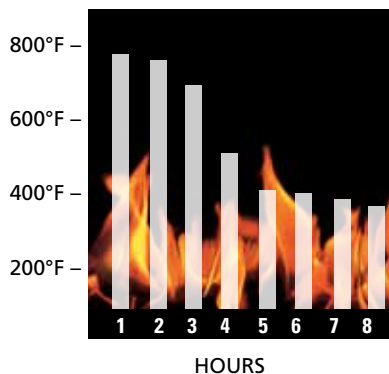


Smooth

ADDITIONAL ACCESSORIES

- A. Hammered Steel or Smooth Door (One Required)
- B. Hammered Steel or Smooth Facade (One Required)
- C. Rigid Fire Screen
- D. Double Duct Gravity Vent Kit
- E. Forced Air Kit

BURN RATES*



*Results obtained by burning 25 lbs. of dry maple wood. (one hour pre-heating)

DOORS

(One required)



Hammered-Steel

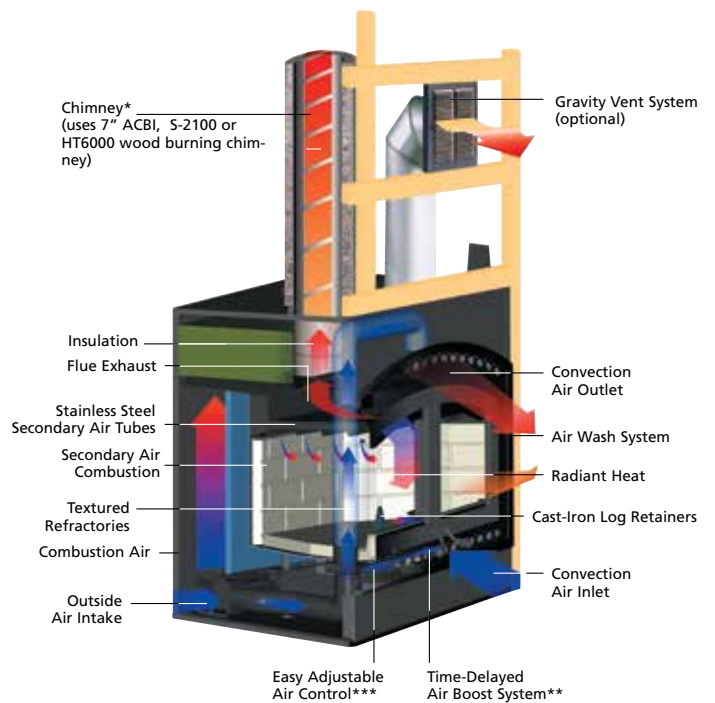


Smooth

MULTI-ROOM HEATING OPTIONS

The WCT6840 wood burning fireplace can be used to heat multiple rooms within your home with our gravity vent kit option. Through natural convection or with the aid of the heat-circulating fan, warm air can be directed up to 10 feet away into one or two adjacent rooms, giving you the flexibility to heat up to three areas. Heat the family room with the fireplace, and the dining room and upstairs bedroom with the gravity vent kit. Or you can choose to more efficiently heat a large space by directing heat through multiple vents.

ENGINEERING FEATURES AND SPECIFICATIONS

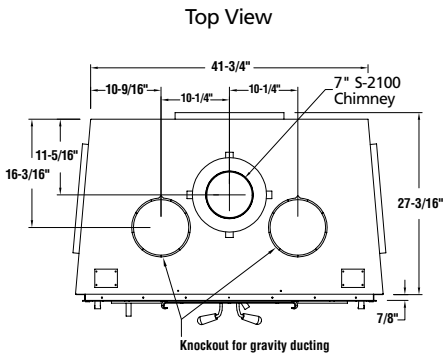
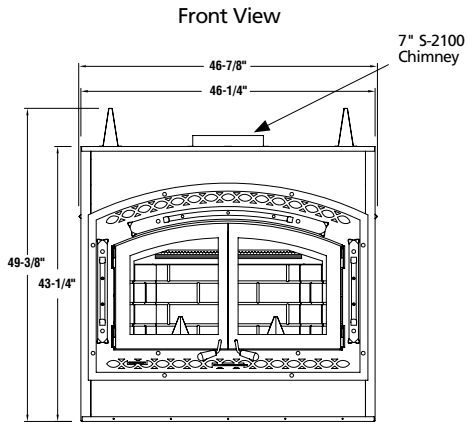


*Results obtained by burning 25 lbs. of dry maple wood. (one hour pre-heating)

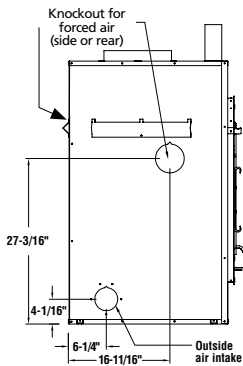
**Exclusive time-delayed Air Boost system provides additional air input at ignition before dropping back to the desired burn rate you have set.

***Air-cooled chimney not recommended for use at elevations above 4,000 feet or in climates where temperatures will fall below 32° Fahrenheit (0° Celsius).

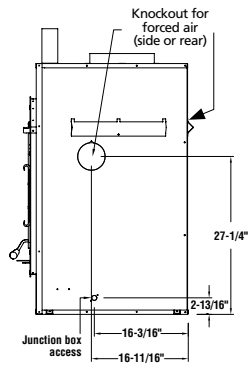
APPLIANCE SPECIFICATIONS



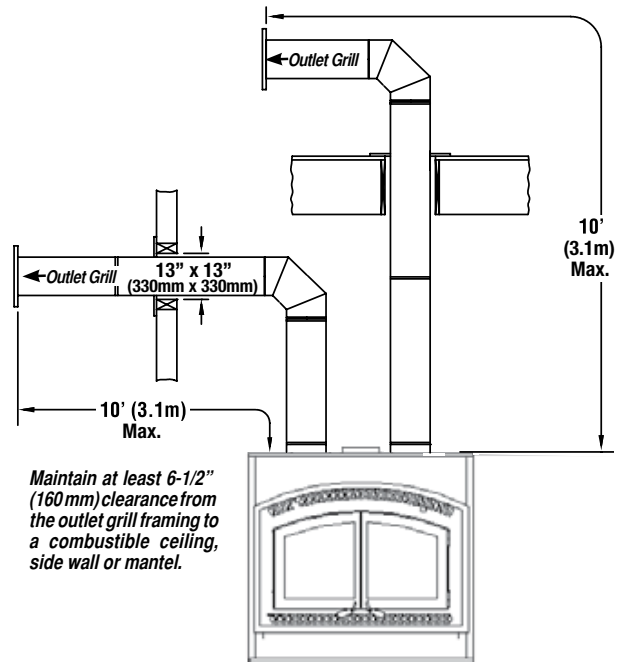
Left Side View



Right Side View



INSTALLATION SPECIFICATIONS



PRODUCT SPECIFICATIONS

Glass Viewing Area (W x H)	31" x 15"
Firebox Interior (W x H x D+)	31" x 14-1/2" x 14"
Interior Cubic Feet	4.0
Maximum Log Size	30"
Chimney Size	7"
EPA Rating	7.4 grams/hr
BTU's	80,000
Heating Capacity (up to)	2,500 sq. ft.
Thermal Efficiency	86.7%
Blower	350 CFM
Weight	475 lbs.

+Measured in front of door

IMPORTANT NOTES:

As with any fireplace, this appliance is extremely hot during operation. Read and understand all operating instructions before using this appliance. For further information, consult your dealer.

Local conditions, such as elevation and choice of fuel will affect overall appearance of the fire and heating performance. Performance can also vary with home design and insulation, ceiling height, accessories chosen and appliance location.

Diagrams, illustrations and photographs are not to scale — consult installation instructions. Product designs, materials, dimensions, specifications, colors and prices are subject to change or discontinuance without notice.



© 2014 Innovative Hearth Products
785365M 07/14

Visit us online



SuperiorFireplaces.us.com

